



Micro Commercial Components

Micro Commercial Components  
 20736 Marilla Street Chatsworth  
 CA 91311  
 Phone: (818) 701-4933  
 Fax: (818) 701-4939

# MC78L08F

## Features

- Internal Short Circuit Current Limiting
- Internal Thermal Overload Protection
- No External Components Required
- Case Material: Molded Plastic. UL Flammability Classification Rating 94V-0

## Maximum Ratings

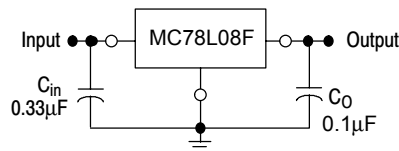
Parameter	Symbol	Value	Unit
Input Voltage	$V_1$	30	V
Operating Junction Temperature	$T_{OPR}$	-20---+120	°C
Storage Temperature Range	$T_{STG}$	-55---+150	°C

## Electrical Characteristics ( $V_1=14V, I_o=40mA, 0^\circ C < T_j < 125^\circ C, C_1=0.33\mu F, C_o=0.1\mu F$ , unless otherwise specified)

Parameter	Sym	Min	Typ	Max	Test conditions
Output Voltage	$V_o$	7.7V	8.0V	8.3V	$T_j=25^\circ C$
		7.6V		8.4V	$10.5V \leq V_1 \leq 23V, I_o=1mA-40mA$
		7.6V		8.4V	$10.5V \leq V_1 \leq V_{MAX}, I_o=1mA-70mA$ (Note)
Load Regulation	$\Delta V_o$		15mV	80mV	$I_o=1mA-100mA, T_j=25^\circ C,$
			8.0mV	40mV	$I_o=1mA-70mA, T_j=25^\circ C,$
Line regulation	$\Delta V_o$		10mV 8.0mV	175mV 125mV	$10.5V \leq V_1 \leq 23V, T_j=25^\circ C$ $11V \leq V_1 \leq 23V, T_j=25^\circ C$
Quiescent Current	$I_q$ $\Delta I_q$		2.0mA	5.5mA	$11V \leq V_1 \leq 23V$
				1.5mA	
Quiescent Current Change	$\Delta I_q$			0.1mA	$1mA \leq I_o \leq 40mA$
Output Noise Voltage	$V_N$		49uV		$10Hz \leq f \leq 100KHz$
Ripple Rejection	RR	39dB	70dB		$11V \leq V_1 \leq 23V, f=120Hz, T_j=25^\circ C$
Dropout Voltage	$V_d$		1.7V		$T_j=25^\circ C$

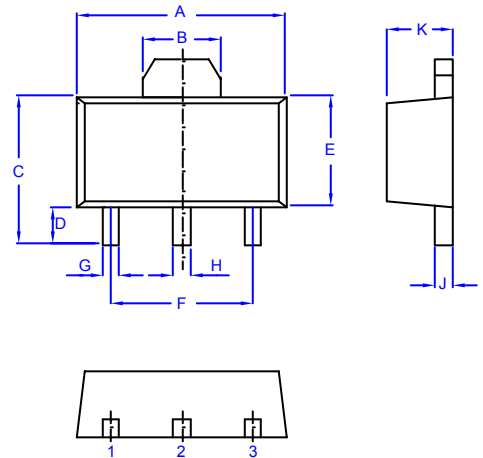
\*Note: Bypass Capacitors are recommended for optimum stability and transient response and should be located as close as possible to the regulators

Typical Application:



## Three-Terminal Low Current Positive Voltage Regulator

## SOT-89



1. OUT
2. GND
3. IN

DIM	DIMENSINS				NOTES
	INCHES		MM		
A	.173	.181	4.39	4.60	
B	.063	.071	1.60	1.80	
C	.154	.165	3.91	4.19	
D	.031	.039	0.80	1.00	
E	.092	.100	2.34	2.54	
F	.118	-----	3.00	-----	TYP
G	.013	.019	0.33	0.48	
H	.015	.021	0.38	0.53	
J	.015	.016	0.38	0.41	
K	.055	.063	1.40	1.60	



TM

Micro Commercial Components

**\*\*\*IMPORTANT NOTICE\*\*\***

*Micro Commercial Components Corp.* reserves the right to make changes without further notice to any product herein to make corrections, modifications, enhancements, improvements, or other changes. *Micro Commercial Components Corp.* does not assume any liability arising out of the application or use of any product described herein; neither does it convey any license under its patent rights, nor the rights of others. The user of products in such applications shall assume all risks of such use and will agree to hold *Micro Commercial Components Corp.* and all the companies whose products are represented on our website, harmless against all damages.

**\*\*\*APPLICATIONS DISCLAIMER\*\*\***

Products offer by *Micro Commercial Components Corp.* are not intended for use in Medical, Aerospace or Military Applications.

---

[www.mccsemi.com](http://www.mccsemi.com)