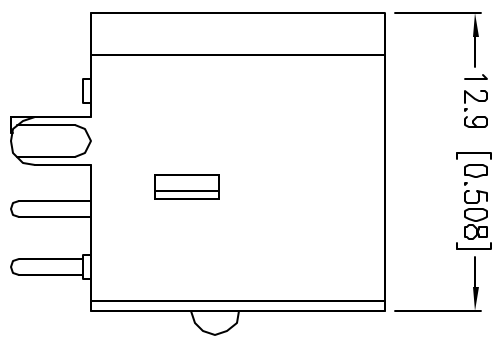
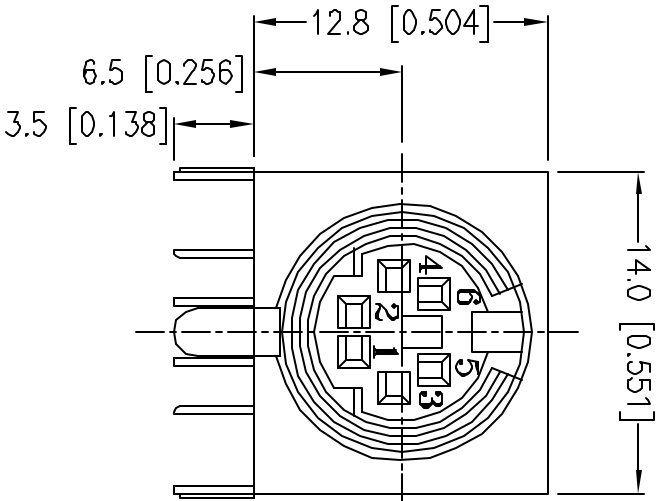
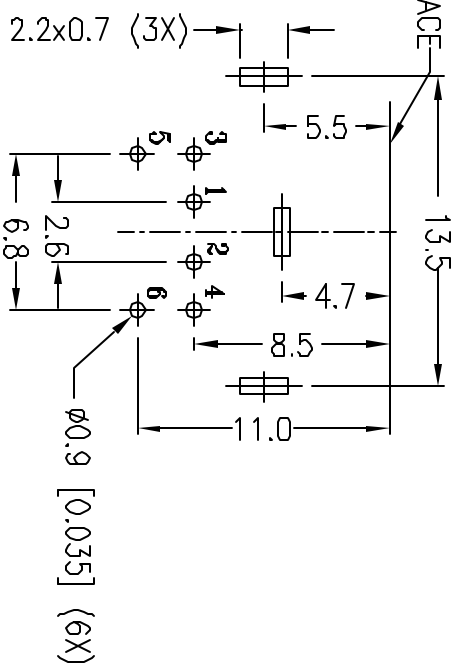


STANDARD TYPE



FOOTPRINT (TOP VIEW)



SPECIFICATIONS:
 RATING: 100V AC 1A MAX OR
 12V DC 2A MAX
 INSULATION RESISTANCE:
 50 MOHM MIN AT 250V DC
 DIELECTRIC STRENGTH:
 250V AC, 1 MINUTE
 CONTACT RESISTANCE:
 30 MOHM MAX
 INSERTION FORCE:
 4.5KG MAX
 WITHDRAWAL FORCE:
 0.9KG~3KG

CONNECTOR FACE

PC FILE NAME:
 MD-60SM.DWG

COPYRIGHT 1997 BY CUI INC.

9815 SW Allen, Suite 103
 Beaverton, OR 97006
 Phone: (503) 643-4899
 800-276-4899
 Fax: (503) 372-1266
 Website: www.cui.com



TITLE:
 MINIATURE CIRCULAR CONNECTOR WITH SHIELD

PART NO.: MD-60SM UNITS: MM [INCHES]

DRAWN BY: APPROVED BY: SCALE: 3X