

## Features

- Custom designs to meet appropriate applications
- Compatible with current industry standards
- Overcurrent and overtemperature protection
- Standard and low-temperature material

- Patents pending

## Applications

- Lithium cells
- Battery cells
- Powered toys
- Motors

# MF-D Series - PTC Resettable Fuses

Multifuse® Products offers a PTC resettable fuse in a disk, square or rectangular configuration for overcurrent protection in various custom applications. These products are specific to customer's design requirements and are designed by Bourns to meet customer requirements. Some typical specification

information is listed below. However, all disk products are subject to the end customer verification of the product in the application. **For ordering information, contact your nearest Bourns representative.**

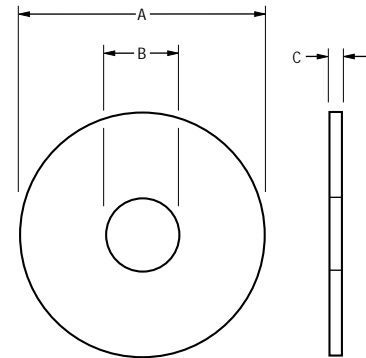
### Typical Electrical Characteristics

Model	V max. Volts	I max. Amps	Ihold Amperes at 23°C Hold	Initial Resistance		Max. Time to Trip	
				Ohms at 23°C		Amperes at 23°C	Seconds at 23°C
				Min.	Max.		
MF-D*	15	10	2.5	0.015	0.032	5	80
MF-D*	15	20	3.5	0.015	0.032	10	10
MF-D*	15	40	5.5	0.14	0.30	10	5
MF-D*	15	50	12.2	0.007	0.017	15	15

\*For ordering information, contact your nearest Bourns representative.

### Product Dimensions

Model	A	B	C
MF-D	$\frac{14.4}{(0.567)}$	$\frac{6.3}{(0.248)}$	$\frac{0.36}{(0.014)}$ max.
MF-D	$\frac{16.4}{(0.646)}$	$\frac{10}{(0.394)}$	$\frac{0.36}{(0.014)}$ max.
MF-D	$\frac{16.08}{(0.633)}$	$\frac{9}{(0.354)}$	$\frac{0.36}{(0.014)}$ max.
MF-D	$\frac{24}{(0.945)}$	—	$\frac{0.36}{(0.014)}$ max.



#### NOTES:

1. Devices are 100% resistance tested.
2. Foil materials are Nickel-coated Copper.
3. Alternative electrical and mechanical parameters are possible. Please contact your local Bourns sales office or representative for details.
4. Operating and storage temperatures: -40 to +85°C.
5. All specifications are at 23°C unless otherwise stated.

$$\text{DIMENSIONS} = \frac{\text{MM}}{(\text{INCHES})}$$

$$\text{TOLERANCE} = \pm \frac{0.05}{(.002)} \text{ TYPICAL}$$