

# MF1053S-1

FOR DIGITAL MOBILE TELEPHONE, Rx

MF1053S-1

## DESCRIPTION

This SAW filter for the receiving RF circuit of digital mobile communication equipment operating at 810 MHz ~ 826 MHz.

## FEATURES

1. SMD package insures small size, lightweight.
2. Adjustment free.
3. Low insertion loss and high stop band attenuation.
4. Wide and sharp passband characteristics.
5. High stability and reliability.
6. Designed for reflow solderings.

## APPLICATION

- Digital mobile cellular telephone
- Portable digital cellular telephone
- Wireless equipment

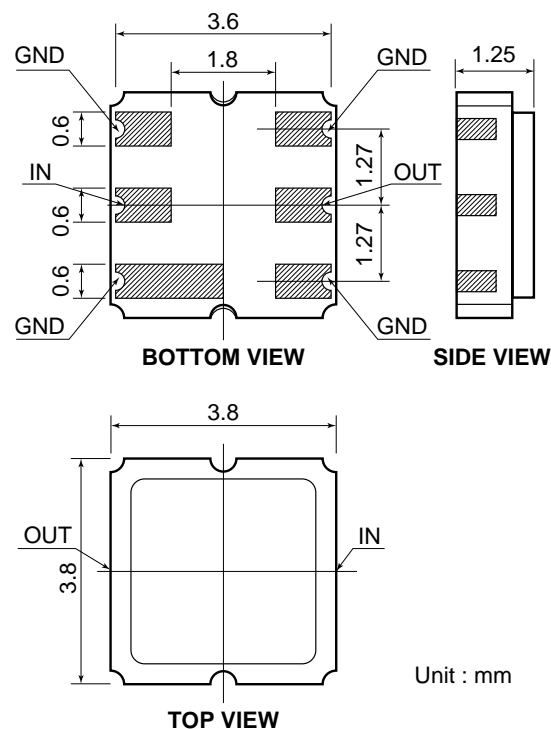
## ELECTRICAL PERFORMANCE

Parameter	MF1053S-1			Units
	Min	Typ	Max	
PASSBAND FREQUENCY	810 – 826			MHz
PASSBAND CHARACTERISTICS				
Insertion Loss		1.9	3.0	dB
Ripple		0.8	1.5	dBp-p
VSWR		1.8	2.5	
STOPBAND ATTENUATION				
0 – 600 MHz	30	33		dB
600 – 730 MHz	20	25		dB
940 – 956 MHz	25	30		dB
980 – 1090 MHz	30	34		dB
1200 – 2500 MHz	23	27		dB

## MAXIMUM RATINGS

Rating	Value	Unit
Input Power	50	mW
Operating Temperature Range	-20 to 75	°C
Storage Temperature Range	-30 to 85	°C

## PACKAGE OUTLINE DIMENSIONS



DIMENSIONS ARE IN MILLIMETERS  
±0.2 UNLESS OTHERWISE SPECIFIED

## MF1053S-1 TYPICAL CHARACTERISTICS

