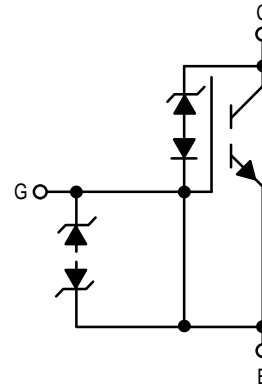


Product Preview

SMARTDISCRETES™
Internally Clamped, N-Channel
IGBT

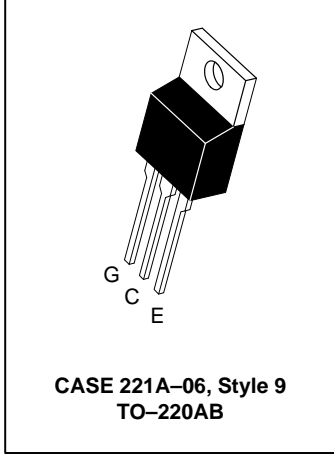
This Logic Level Insulated Gate Bipolar Transistor (IGBT) features Gate–Emitter ESD protection, Gate–Collector overvoltage protection from SMARTDISCRETES™ monolithic circuitry for usage as an **Ignition Coil Driver**.

- Temperature Compensated Gate–Drain Clamp Limits Stress Applied to Load
- Integrated ESD Diode Protection
- Low Threshold Voltage to Interface Power Loads to Logic or Microprocessors
- Low Saturation Voltage
- High Pulsed Current Capability



MGP20N14CL

20 AMPERES
VOLTAGE CLAMPED
N-CHANNEL IGBT
V_{ce(on)} = 1.9 VOLTS
135 VOLTS (CLAMPED)



MAXIMUM RATINGS (T_J = 25°C unless otherwise noted)

Rating	Symbol	Value	Unit
Collector–Emitter Voltage	V _{CES}	CLAMPED	V _{dc}
Collector–Gate Voltage	V _{CGR}	CLAMPED	V _{dc}
Gate–Emitter Voltage	V _{GE}	CLAMPED	V _{dc}
Collector Current — Continuous @ T _C = 25°C — Single Pulsed (t _p = ± 10 μs)	I _C I _{CM}	20 60	Adc Apk
Total Power Dissipation @ T _C = 25°C (TO-220) Derate Above 25°C	P _D	150 1.0	Watts W/°C
Operating and Storage Temperature Range	T _J , T _{stg}	-55 to 175	°C
Single Pulse Collector–Emitter Avalanche Energy @ Starting T _J = 25°C (V _{CC} = 80 V, V _{GE} = 5 V, Peak I _L = 10 A, L = 10 mH)	E _{AS}	500	mJ

THERMAL CHARACTERISTICS

Thermal Resistance — Junction to Case – (TO-220) — Junction to Ambient	R _{θJC} R _{θJA}	1.0 62.5	°C/W
Maximum Lead Temperature for Soldering Purposes, 1/8" from case for 5 seconds	T _L	275	°C
Mounting Torque, 6–32 or M3 screw	10 lbf•in (1.13 N•m)		

SMARTDISCRETES and TMOS are trademarks of Motorola, Inc.

This document contains information on a new product. Specifications and information herein are subject to change without notice.

MGP20N14CL

ELECTRICAL CHARACTERISTICS (T_C = 25°C unless otherwise noted)

Characteristic	Symbol	Min	Typ	Max	Unit
OFF CHARACTERISTICS					
Clamp Voltage (I _{Clamp} = 10 mA, T _J = -40 to 150°C)	B _V CES	135			V _{dc}
Zero Gate Voltage Collector Current (V _{CE} = 100 V, V _{GE} = 0 V) (V _{CE} = 100 V, V _{GE} = 0 V, T _J = 150°C)	I _{CES}	—	—	10 100	μA
Gate-Emitter Clamp Voltage (I _G = 1 mA)	B _V GES	10			V _{dc}
Gate-Emitter Leakage Current (V _{GE} = ±5 V, V _{CE} = 0 V)	I _{GES}	—	—	1.0	μA

ON CHARACTERISTICS (1)

Gate Threshold Voltage (V _{CE} = V _{GE} , I _C = 1 mA) Threshold Temperature Coefficient (Negative)	V _{CE(th)}	1.0	1.5 4.4	2.0	V mV/°C
Collector-Emitter On-Voltage (V _{GE} = 5 V, I _C = 10 A) (V _{GE} = 5 V, I _C = 10 A _{dc} , T _J = 175°C)	V _{CE(on)}	—		1.9 1.8	V
Forward Transconductance (V _{CE} > 15 V, I _C = 10 A)	g _{fs}	8.0	15	—	Mhos

DYNAMIC CHARACTERISTICS

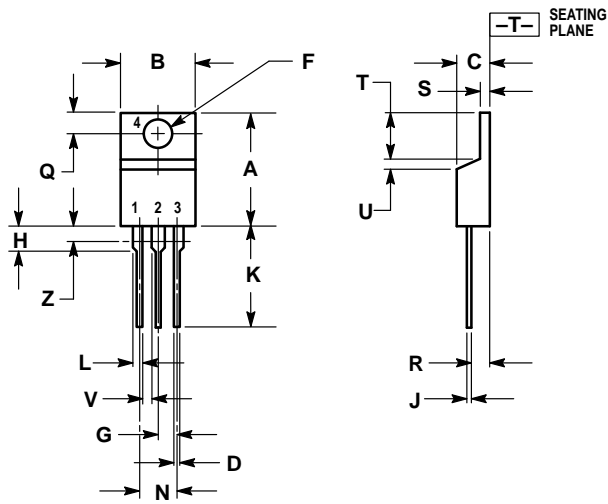
Input Capacitance	(V _{CE} = 25 V _{dc} , V _{GE} = 0 V _{dc} , f = 1.0 MHz)	C _{iss}	—	430	600	pF
Output Capacitance		C _{oss}	—	182	250	
Transfer Capacitance		C _{rss}	—	48	100	

SWITCHING CHARACTERISTICS (1)

Turn-On Delay Time	(V _{CC} = 68 V, I _C = 20 A, V _{GE} = 5 V, R _G = 9.1 Ω)	t _{d(on)}	—	TBD	TBD	ns
Rise Time		t _r	—	TBD	TBD	
Turn-Off Delay Time		t _{d(off)}	—	TBD	TBD	
Fall Time		t _f	—	TBD	TBD	
Total Gate Charge	(V _{CC} = 108 V, I _C = 20 A, V _{GE} = 5 V)	Q _g	—	14	20	nC
Gate-Emitter Charge		Q _{gs}	—	3.0	—	
Gate-Collector Charge		Q _{gd}	—	6.0	—	

(1) Pulse Test: Pulse Width ≤ 300 μs, Duty Cycle ≤ 2%.

PACKAGE DIMENSIONS



STYLE 9:
PIN 1. GATE
2. COLLECTOR
3. EMITTER
4. COLLECTOR

- NOTES:
1. DIMENSIONING AND TOLERANCING PER ANSI Y14.5M, 1982.
2. CONTROLLING DIMENSION: INCH.
3. DIMENSION Z DEFINES A ZONE WHERE ALL BODY AND LEAD IRREGULARITIES ARE ALLOWED.

DIM	INCHES		MILLIMETERS	
	MIN	MAX	MIN	MAX
A	0.570	0.620	14.48	15.75
B	0.380	0.405	9.66	10.28
C	0.160	0.190	4.07	4.82
D	0.025	0.035	0.64	0.88
F	0.142	0.147	3.61	3.73
G	0.095	0.105	2.42	2.66
H	0.110	0.155	2.80	3.93
J	0.018	0.025	0.46	0.64
K	0.500	0.562	12.70	14.27
L	0.045	0.060	1.15	1.52
N	0.190	0.210	4.83	5.33
Q	0.100	0.120	2.54	3.04
R	0.080	0.110	2.04	2.79
S	0.045	0.055	1.15	1.39
T	0.235	0.255	5.97	6.47
U	0.000	0.050	0.00	1.27
V	0.045	—	1.15	—
Z	—	0.080	—	2.04

CASE 221A-06
ISSUE Y

Motorola reserves the right to make changes without further notice to any products herein. Motorola makes no warranty, representation or guarantee regarding the suitability of its products for any particular purpose, nor does Motorola assume any liability arising out of the application or use of any product or circuit, and specifically disclaims any and all liability, including without limitation consequential or incidental damages. "Typical" parameters which may be provided in Motorola data sheets and/or specifications can and do vary in different applications and actual performance may vary over time. All operating parameters, including "Typicals" must be validated for each customer application by customer's technical experts. Motorola does not convey any license under its patent rights nor the rights of others. Motorola products are not designed, intended, or authorized for use as components in systems intended for surgical implant into the body, or other applications intended to support or sustain life, or for any other application in which the failure of the Motorola product could create a situation where personal injury or death may occur. Should Buyer purchase or use Motorola products for any such unintended or unauthorized application, Buyer shall indemnify and hold Motorola and its officers, employees, subsidiaries, affiliates, and distributors harmless against all claims, costs, damages, and expenses, and reasonable attorney fees arising out of, directly or indirectly, any claim of personal injury or death associated with such unintended or unauthorized use, even if such claim alleges that Motorola was negligent regarding the design or manufacture of the part. Motorola and  are registered trademarks of Motorola, Inc. Motorola, Inc. is an Equal Opportunity/Affirmative Action Employer.

How to reach us:

USA/EUROPE/Locations Not Listed: Motorola Literature Distribution;
P.O. Box 5405, Denver, Colorado 80217. 303-675-2140 or 1-800-441-2447

JAPAN: Nippon Motorola Ltd.; Tatsumi-SPD-JLDC, 6F Seibu-Butsuryu-Center,
3-14-2 Tatsumi Koto-Ku, Tokyo 135, Japan. 81-3-3521-8315

Mfax™: RMFAX0@email.sps.mot.com – TOUCHTONE 602-244-6609
INTERNET: <http://Design-NET.com>

ASIA/PACIFIC: Motorola Semiconductors H.K. Ltd.; 8B Tai Ping Industrial Park,
51 Ting Kok Road, Tai Po, N.T., Hong Kong. 852-26629298



MOTOROLA

