

OKI Semiconductor

FEDL7021-03

Issue Date: Jun. 1, 2005

ML7021

Echo Canceler

GENERAL DESCRIPTION

The ML7021 is an improved version of the MSM7602 with the reduced cancelable echo delay time and additional 2100Hz tone detection function.

The ML7021 is a low-power CMOS device for canceling echo (in an acoustic system or telephone line) generated in a speech path.

Echo is canceled, in digital signal processing, by estimating the echo path and generating a pseudo echo signal.

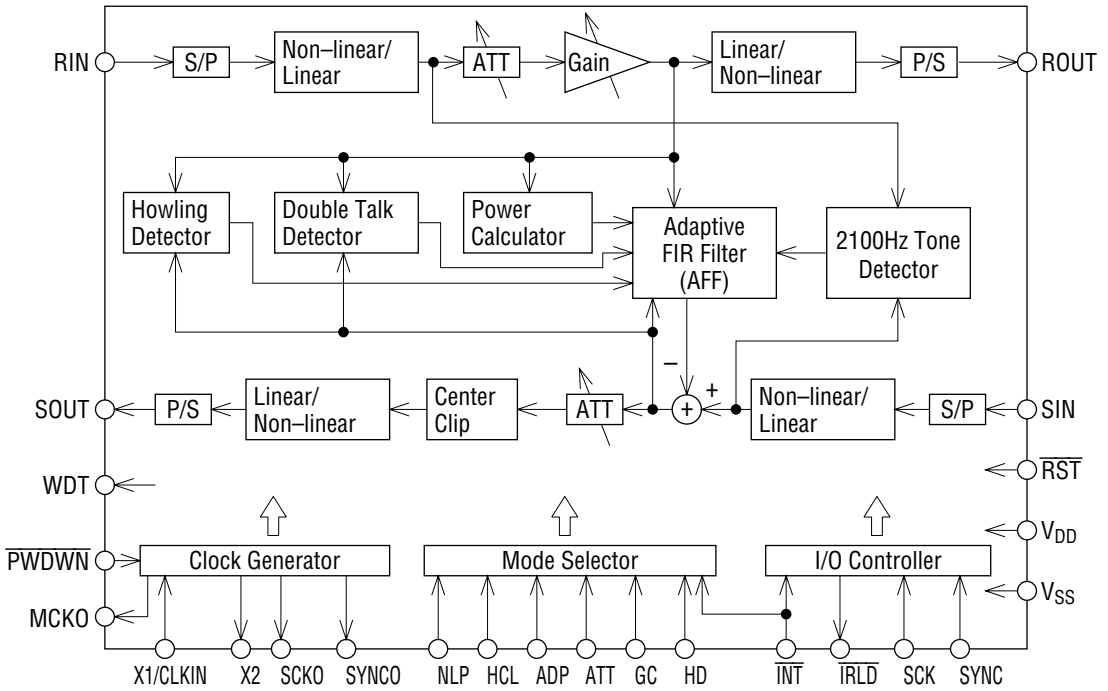
The ML7021 makes possible a quality conversation by controlling the noise level and preventing howling with howling detector, double talk detector, attenuation function, and a gain control function. The device also controls the low level noise with a center clipping function.

Further, the ML7021 I/O interface supports μ -law PCM. The use of a single chip CODEC, such as the MSM7566/7704 (3 V) or MSM7543/7533 (5 V), allows a simplified and efficient echo canceler configuration.

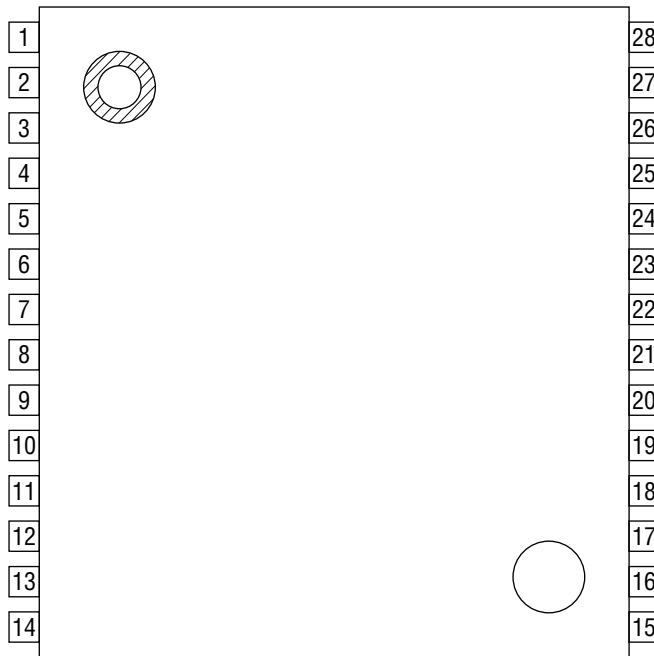
FEATURES

- Tone disable function
- Cancelable echo delay time:
For a single chip: 8 ms (max.)
- Echo attenuation : 30 dB (typ.)
- Clock frequency : 19.2 MHz
External input and internal oscillator circuit are provided.
- Power supply voltage : 2.7 V to 5.5 V
- Package:
28-pin plastic SSOP (SSOP28-P-485-0.65-K) (Product name : ML7021MB)

BLOCK DIAGRAM



PIN CONFIGURATION (TOP VIEW)



28-Pin Plastic SSOP

Pin	Symbol	Pin	Symbol	Pin	Symbol	Pin	Symbol
1	NLP	8	SIN	15	V _{SS}	22	SYNCO
2	HCL	9	RIN	16	HD	23	SCKO
3	ADP	10	SCK	17	X1/CLKIN	24	RST
4	V _{DD}	11	SYNC	18	X2	25	WDT
5	ATT	12	SOUT	19	V _{DD}	26	GC
6	INT	13	ROUT	20	PWDWN	27	V _{DD}
7	IRLD	14	V _{SS}	21	V _{SS}	28	MCKO

PIN DESCRIPTIONS (1/4)

Pin	Symbol	Type	Description
1	NLP	I	<p>Control pin for the center clipping function. This pin forces the SOUT output to a minimum value when the SOUT signal is below -54 dBm0. Effective for reducing low-level noise.</p> <ul style="list-style-type: none"> • Single Chip or Master Chip in a Cascade Connection "H": Center clip ON "L": Center clip OFF • Slave Chip in a Cascade Connection Fixed at "L" <p>This input signal is loaded in synchronization with the falling edge of the $\overline{\text{INT}}$ signal or the rising edge of the $\overline{\text{RST}}$ signal.</p>
2	HCL	I	<p>Through mode control. When this pin is in the through mode, RIN and SIN data is output to ROUT and SOUT. At the same time, the coefficient of the adaptive FIR filter is cleared.</p> <ul style="list-style-type: none"> • Single Chip or Master Chip in a Cascade Connection "H": Through mode "L": Normal mode (echo canceler operates) • Slave Chip in a Cascade Connection Same as the master chip <p>This input signal is loaded in synchronization with the falling edge of the $\overline{\text{INT}}$ signal or the rising edge of the $\overline{\text{RST}}$ signal.</p>
3	ADP	I	<p>AFF coefficient control. This pin stops updating of the adaptive FIR filter (AFF) coefficient and sets the coefficient to a fixed value, when this pin is configured to be the coefficient fix mode. This pin is used when holding the AFF coefficient which has been once converged.</p> <ul style="list-style-type: none"> • Single Chip or Master Chip in a Cascade Connection "H": Coefficient fix mode "L": Normal mode (coefficient update) • Slave Chip in a Cascade Connection Fixed at "L" <p>This input signal is loaded in synchronization with the falling edge of the $\overline{\text{INT}}$ signal or the rising edge of the $\overline{\text{RST}}$ signal.</p>

(2/4)

Pin	Symbol	Type	Description
5	ATT	I	<p>Control for the ATT function.</p> <p>This pin prevents howling by attenuators (ATT) for the RIN input and SOUT output.</p> <p>If there is input only to RIN, the ATT for the SOUT output is activated.</p> <p>If there is no input to SIN, or if there is input to both SIN and RIN, the ATT for the RIN input is activated.</p> <p>Either the ATT for the RIN output or the ATT for the SOUT is always activated in all cases, and the attenuation of ATT is 6 dB.</p> <ul style="list-style-type: none"> • Single Chip or Master Chip in a Cascade Connection "H": ATT OFF "L": ATT ON "L" is recommended if performing echo cancellation. • Slave Chip in a Cascade Connection Fixed at "L" <p>This input signal is loaded in synchronization with the falling edge of the $\overline{\text{INT}}$ signal or the rising edge of the $\overline{\text{RST}}$ signal.</p>
6	$\overline{\text{INT}}$	I	<p>Interrupt signal which starts 1 cycle (8 kHz) of the signal processing. Signal processing starts when "H"-to-"L" transition is detected.</p> <ul style="list-style-type: none"> • Single Chip or Master Chip in a Cascade Connection Connect the $\overline{\text{IRLD}}$ pin. • Slave Chip in a Cascade Connection Connect the $\overline{\text{IRLD}}$ pin of the master chip. <p>$\overline{\text{INT}}$ input is invalid for 100 μs after reset due to initialization. Refer to the control pin connection example.</p>
7	$\overline{\text{IRLD}}$	O	<p>Load detection signal output when the SIN and RIN serial input data is loaded in the internal registers.</p> <ul style="list-style-type: none"> • Single Chip Connect to the $\overline{\text{INT}}$ pin. • Master Chip in a Cascade Connection Connect to the $\overline{\text{INT}}$ pin of the master chip and all the slave chips. • Slave Chip in a Cascade Connection Leave open. <p>Refer to the control pin connection example.</p>
8	SIN	I	<p>Transmit serial data.</p> <p>Input the PCM signal synchronized to SYNC and SCK. Data is read in at the falling edge of SCK.</p>
9	RIN	I	<p>Receive serial data.</p> <p>Input the PCM signal synchronized to SYNC and SCK. Data is read in at the falling edge of SCK.</p>
10	SCK	I	<p>Clock input for transmit/receive serial data.</p> <p>This pin uses the external SCK or the SCKO.</p> <p>Input the PCM CODEC transmit/receive clock (64 to 2048 kHz).</p>

(3/4)

Pin	Symbol	Type	Description
11	SYNC	I	Sync signal for transmit/receive serial data. This pin uses the external SYNC or SYNCO. Input the PCM CODEC transmit/receive sync signal (8 kHz).
12	SOUT	O	Transmit serial data. Outputs the PCM signal synchronized to SYNC and SCK. This pin is in a high impedance state during no data output.
13	ROUT	O	Receive serial data. Outputs the PCM signal synchronized to SYNC and SCK. This pin is in a high impedance state during no data output.
16	HD	I	Controls the howling detect function. This pin detects and cancels a howling generated during hand-free talking for acoustic system. This function is used to cancel acoustic echoes. <ul style="list-style-type: none"> • Single Chip or Master Chip in a Cascade Connection " L ": Howling detector ON " H ": Howling detector OFF • Slave Chip in a Cascade Connection Fixed at " L "
17	X1/CLKIN	I	External input for the basic clock (17.5 to 20 MHz) or for the crystal oscillator. When the internal sync signal (SYNCO, SCKO) is used, input the basic clock of 19.2 MHz.
18	X2	O	Crystal oscillator output. Used to configure the oscillation circuit. Refer to the internal clock generator circuit example. When inputting the basic clock externally, insert a 5 pF capacitor with excellent high frequency characteristics between X2 and GND.
20	$\overline{\text{PWDWN}}$	I	Power-down mode control when powered down. " L ": Power-down mode " H ": Normal operation mode During power-down mode, all input pins are disabled and output pins are in the following states : High impedance : SOUT, ROUT " L ": SYNCO, SCKO, MCKO " H ": $\overline{\text{OF1}}$, $\overline{\text{OF2}}$, X2 Holds the last state : WDT, $\overline{\text{IRLD}}$ Reset after the power-down mode is released.

(4/4)

Pin	Symbol	Type	Description
22	SYNCO	0	8 kHz sync signal for the PCM CODEC. Connect to the SYNC pin and the PCM CODEC transmit/receive sync pin. Leave it open if using an external SYNC.
23	SCKO	0	Transmit clock signal (256 kHz) for the PCM CODEC. Connect to the SCK pin and the PCM CODEC transmit/receive clock pin. Leave it open if using an external SCK.
24	\overline{RST}	I	Reset signal. "L": Reset mode "H": Normal operation mode Due to initialization, input signals are disabled for 100 μ s after reset (after \overline{RST} is returned from L to H). Input the basic clock during the reset. Output pins during the reset are in the following states : High impedance: SOUT, ROUT "L": WDT "H": $\overline{OF1}$, $\overline{OF2}$ Not affected: X2, SYNCO, SCKO, \overline{TRLD} , MCKO After the power is turned on, initialize the LSI's internal registers by your execution of H \rightarrow L sequence 1 μ s later than the master clock starts normal oscillation. This LSI starts a normal operation by releasing this pin to H after the H \rightarrow L sequence above. Here, this pin must stay L for 1 μ s or longer.
25	WDT	0	Test program end signal. This signal is output when one cycle (8kHz) of processing is completed. Leave it open.
26	GC	I	Input signal by which the gain controller for the RIN input is controlled and the RIN input level is controlled and howling is prevented. The gain controller adjusts the RIN input level when it is -10 dBm0 or above. RIN input levels from -10 to -1.5 dBm0 will be suppressed to -10 dBm0 in the attenuation range from 0 to 8.5 dB. RIN input levels above -1.5 dBm0 will always be attenuated by 8.5 dB. • Single Chip or Master Chip in a Cascade Connection "H": Gain control ON "L": Gain control OFF "H" is recommended for echo cancellation. • Slave Chip in a Cascade Connection Fixed at "L" This pin is loaded in synchronization with the falling edge of the \overline{INT} signal or the rising edge of \overline{RST} .
28	MCKO	0	Basic clock (19.2 MHz).

ABSOLUTE MAXIMUM RATINGS

Parameter	Symbol	Condition	Rating	Unit
Power Supply Voltage	V _{DD}	T _a = 25°C	-0.3 to +7	V
Input Voltage	V _{IN}		-0.3 to V _{DD} + 0.3	V
Power Dissipation	P _D		1	W
Storage Temperature	T _{STG}	—	-55 to +150	°C

RECOMMENDED OPERATING CONDITIONS

(V_{DD} = 2.7 V to 3.6 V)

Parameter	Symbol	Condition	Min.	Typ.	Max.	Unit
Power Supply Voltage	V _{DD}	—	2.7	3.3	3.6	V
Power Supply Voltage	V _{SS}	—	—	0	—	V
High Level Input Voltage	V _{IH}	Pins other than X1	2.0	—	V _{DD}	V
		X1 pin	2.2	—	V _{DD}	V
Low Level Input Voltage	V _{IL}	—	0	—	0.5	V
Operating Temperature	T _a	—	-40	+25	+85	°C

(V_{DD} = 4.5 V to 5.5 V)

Parameter	Symbol	Condition	Min.	Typ.	Max.	Unit
Power Supply Voltage	V _{DD}	—	4.5	5	5.5	V
Power Supply Voltage	V _{SS}	—	—	0	—	V
High Level Input Voltage	V _{IH}	Pins other than X1, SCK	2.4	—	V _{DD}	V
		X1, SCK pins	3.5	—	V _{DD}	V
Low Level Input Voltage	V _{IL}	—	0	—	0.8	V
Operating Temperature	T _a	—	-40	+25	+85	°C

ELECTRICAL CHARACTERISTICS

DC Characteristics

(V_{DD} = 2.7 V to 3.6 V, T_a = -40°C to +85°C)

Parameter	Symbol	Condition	Min.	Typ.	Max.	Unit
High Level Output Voltage	V _{OH}	I _{OH} = 40 μA	2.2	—	V _{DD}	V
Low Level Output Voltage	V _{OL}	I _{OL} = 1.6 mA	0	—	0.4	V
High Level Input Current	I _{IH}	V _{IH} = V _{DD}	—	0.1	1	μA
Low Level Input Current	I _{IL}	V _{IL} = V _{SS}	-1	-0.1	—	μA
High Level Output Leakage Current	I _{OZH}	V _{OH} = V _{DD}	—	0.1	1	μA
Low Level Output Leakage Current	I _{OZL}	V _{OL} = V _{SS}	-1	-0.1	—	μA
Power Supply Current (Operating)	I _{DDO}	—	—	20	30	mA
Power Supply Current (Stand-by)	I _{DDS}	PWDWN = "L"	—	10	50	μA
Input Capacitance	C _I	—	—	—	15	pF
Output Load Capacitance	C _{LOAD}	—	—	—	20	pF

(V_{DD} = 4.5 V to 5.5 V, Ta = -40°C to +85°C)

Parameter	Symbol	Condition	Min.	Typ.	Max.	Unit
High Level Output Voltage	V _{OH}	I _{OH} = 40 μA	4.2	—	V _{DD}	V
Low Level Output Voltage	V _{OL}	I _{OL} = 1.6 mA	0	—	0.4	V
High Level Input Current	I _{IH}	V _{IH} = V _{DD}	—	0.1	10	μA
Low Level Input Current	I _{IL}	V _{IL} = V _{SS}	-10	-0.1	—	μA
High Level Output Leakage Current	I _{OZH}	V _{OH} = V _{DD}	—	0.1	10	μA
Low Level Output Leakage Current	I _{OZL}	V _{OL} = V _{SS}	-10	-0.1	—	μA
Power Supply Current (Operating)	I _{DDO}	—	—	30	45	mA
Power Supply Current (Stand-by)	I _{DDS}	PWDWN = "L"	—	10	50	μA
Input Capacitance	C _I	—	—	—	15	pF
Output Load Capacitance	C _{LOAD}	—	—	—	20	pF

Echo Canceler Characteristics (Refer to Characteristic Diagram)

Parameter	Symbol	Condition	Min.	Typ.	Max.	Unit
Echo Attenuation	L _{RES}	R _{IN} = -10 dBm0 (5 kHz band white noise) E. R. L. (echo return loss) = 6 dB T _D = 8 ms ATT, GC, NLP: OFF	—	30	—	dB
Cancelable Echo Delay Time	T _D	R _{IN} = -10 dBm0 (5 kHz band white noise) E. R. L. = 6 dB ATT, GC, NLP: OFF	—	—	8	ms

Tone Disable Characteristics

Parameter		Min.	Typ.	Max.	Unit
Tone Detection	Detection Frequency	2075	2100	2125	Hz
	Detection Level	-32	—	—	dBm0
	Detection Time	380	—	—	ms
Release	Detection Level	—	—	-32	dBm0

AC Characteristics

(Ta = -40°C to +85°C)

Parameter	Symbol	V _{DD} = 2.7 V to 3.6 V			V _{DD} = 4.5 V to 5.5 V			Unit
		Min.	Typ.	Max.	Min.	Typ.	Max.	
Clock Frequency	f _C	—	19.2	—	—	19.2	—	MHz
When Internal Sync Signal is not used		17.5	—	20	17.5	—	20	
Clock Cycle Time	t _{MCK}	—	52.08	—	—	52.08	—	ns
When Internal Sync Signal is not used		50	—	57.14	50	—	57.14	
Clock Duty Ratio	t _{DMC}	40	—	60	40	—	60	ns
Clock High Level Pulse Width f _c = 19.2 MHz	t _{MCH}	20.8	—	31.3	20.8	—	31.3	ns
Clock Low Level Pulse Width f _c = 19.2 MHz	t _{MCL}	20.8	—	31.3	20.8	—	31.3	ns
Clock Rise Time	t _r	—	—	5	—	—	5	ns
Clock Fall Time	t _f	—	—	5	—	—	5	ns
Sync Clock Output Time	t _{DCM}	—	—	30	—	—	30	ns
Internal Sync Clock Frequency	f _{CO}	—	256	—	—	256	—	kHz
Internal Sync Clock Output Cycle Time	t _{CO}	—	3.9	—	—	3.9	—	μs
Internal Sync Clock Duty Ratio	t _{DCO}	—	50	—	—	50	—	%
Internal Sync Signal Output Delay Time	t _{DCC}	—	—	5	—	—	5	ns
Internal Sync Signal Period	t _{CYO}	—	125	—	—	125	—	μs
Internal Sync Signal Output Width	t _{WSO}	—	t _{CO}	—	—	t _{CO}	—	μs
Transmit/receive Operation Clock Frequency	f _{SCK}	64	—	2048	64	—	2048	kHz
Transmit/receive Sync Clock Cycle Time	t _{SCK}	0.488	—	15.6	0.488	—	15.6	μs
Transmit/receive Sync Clock Duty Ratio	t _{DSC}	40	50	60	40	50	60	%
Transmit/receive Sync Signal Period	t _{CYC}	123	125	—	123	125	—	μs
Sync Timing	t _{XS}	45	—	—	45	—	—	ns
	t _{SX}	45	—	—	45	—	—	ns
Sync Signal Width	t _{WSY}	t _{SCK}	—	t _{CYC} -t _{SCK}	t _{SCK}	—	t _{CYC} -t _{SCK}	μs
Receive Signal Setup Time	t _{DS}	45	—	—	45	—	—	ns
Receive Signal Hold Time	t _{DH}	45	—	—	45	—	—	ns
Receive Data Input Time	t _{ID}	—	7t _{SCK}	—	—	7t _{SCK}	—	μs
$\overline{\text{IRLD}}$ Signal Output Delay Time	t _{DIC}	—	—	138	—	—	138	ns
$\overline{\text{IRLD}}$ Signal Output Width	t _{WIR}	—	t _{SCK}	—	—	t _{SCK}	—	μs
Serial Output Delay Time	t _{SD}	—	—	90	—	—	90	ns
	t _{XD}	—	—	90	—	—	90	ns
Reset Signal Input Width	t _{WR}	1	—	—	1	—	—	μs
Reset Start Time	t _{DRS}	5	—	—	5	—	—	ns
Reset End Time	t _{DRE}	—	—	52	—	—	52	ns
Processing Operation Start Time	t _{DIT}	100	—	—	100	—	—	μs

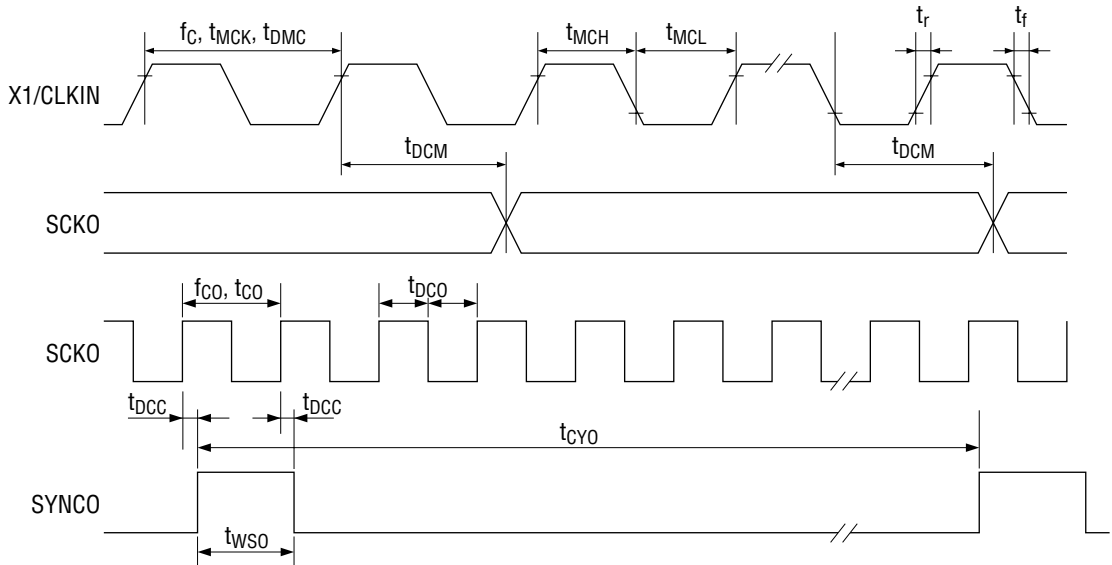
AC Characteristics (Continued)

(Ta = -40°C to +85°C)

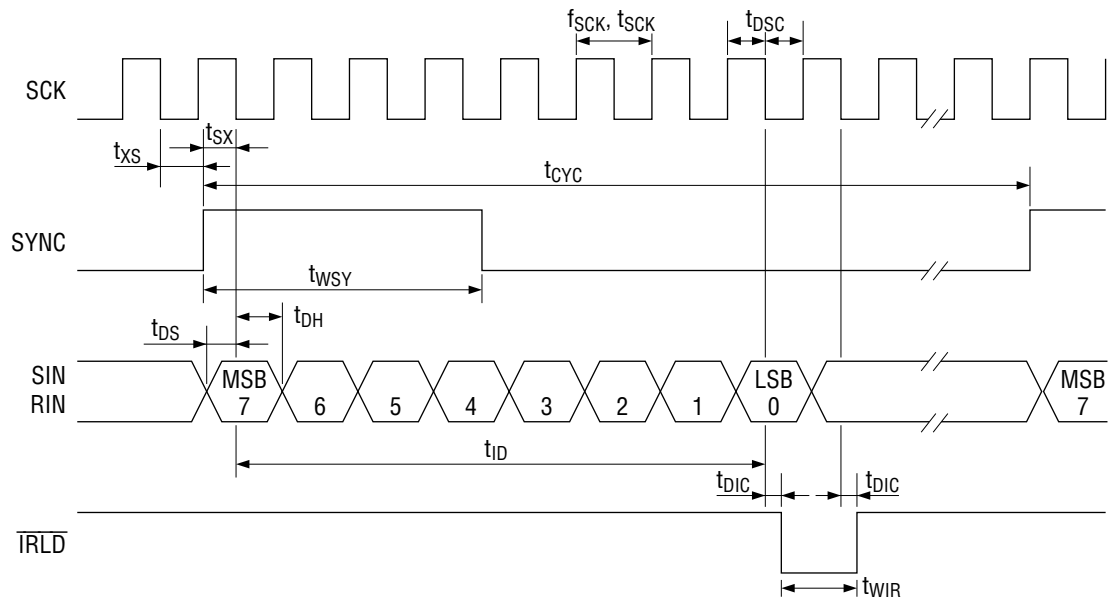
Parameter	Symbol	V _{DD} = 2.7 V to 3.6 V			V _{DD} = 4.5 V to 5.5 V			Unit
		Min.	Typ.	Max.	Min.	Typ.	Max.	
Power Down Start Time	t _{DPS}	—	—	111	—	—	111	ns
Power Down End Time	t _{DPE}	—	—	15	—	—	15	ns
Control Pin Setup Time ($\overline{\text{INT}}$)	t _{DTS}	20	—	—	20	—	—	ns
Control Pin Hold Time ($\overline{\text{INT}}$)	t _{DTH}	120	—	—	120	—	—	ns
Control Pin Setup Time ($\overline{\text{RST}}$)	t _{DSR}	20	—	—	20	—	—	ns
Control Pin Hold Time ($\overline{\text{RST}}$)	t _{DHR}	10	—	—	10	—	—	ns

TIMING DIAGRAM

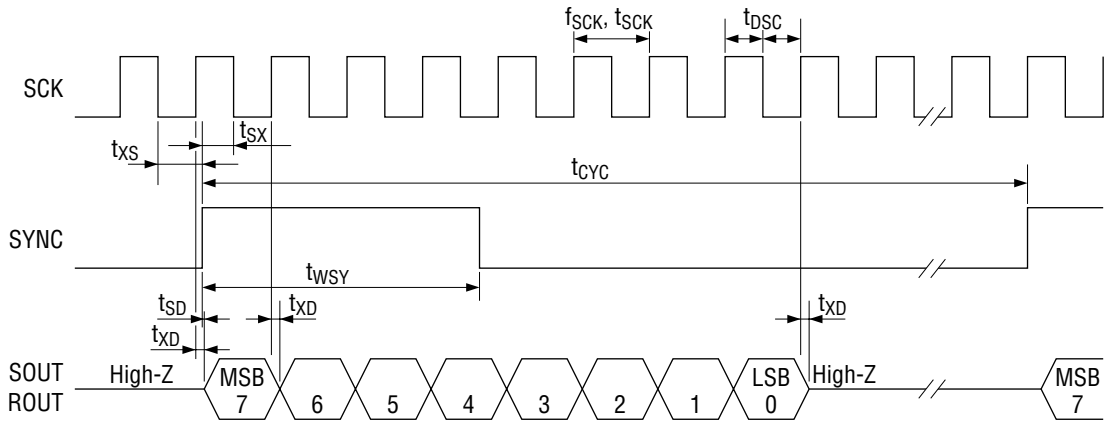
Clock Timing



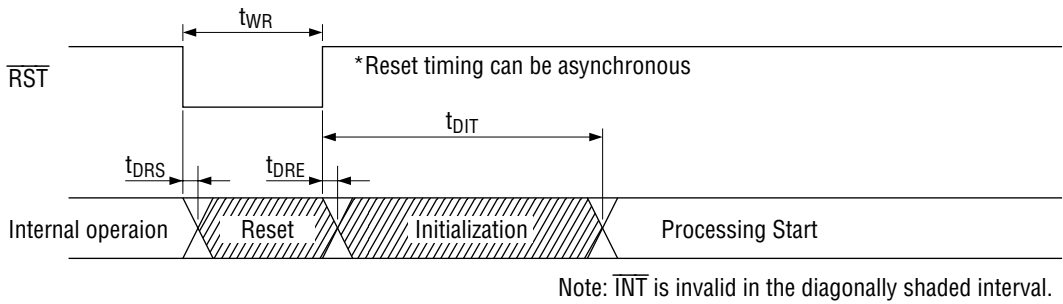
Serial Input Timing



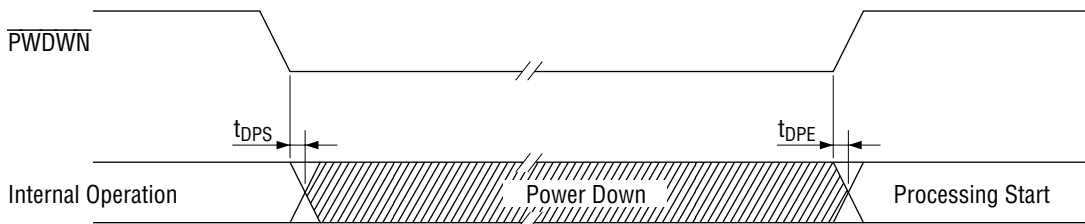
Serial Output Timing



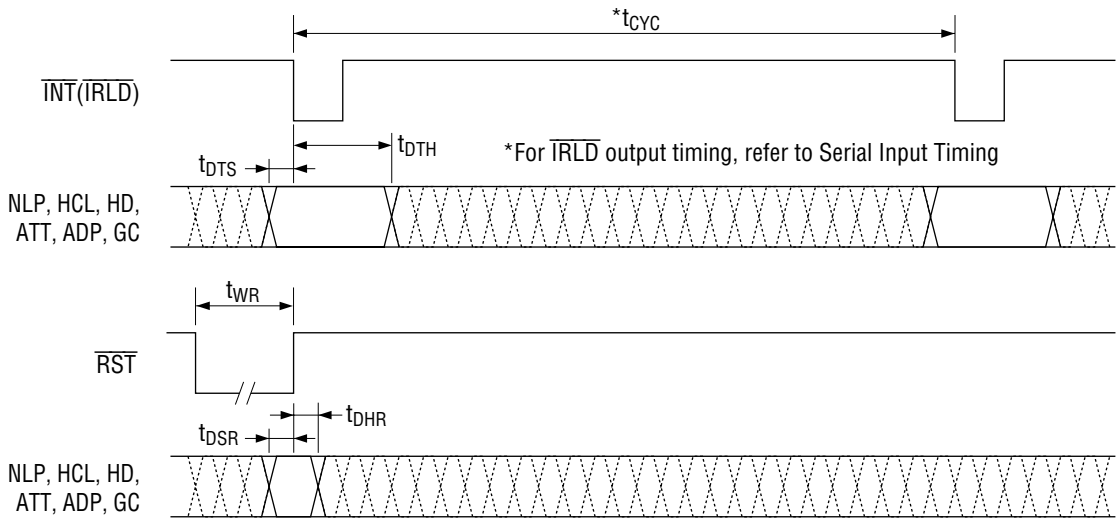
Operation Timing After Reset



Power Down Timing



Control Pin Load-in Timing

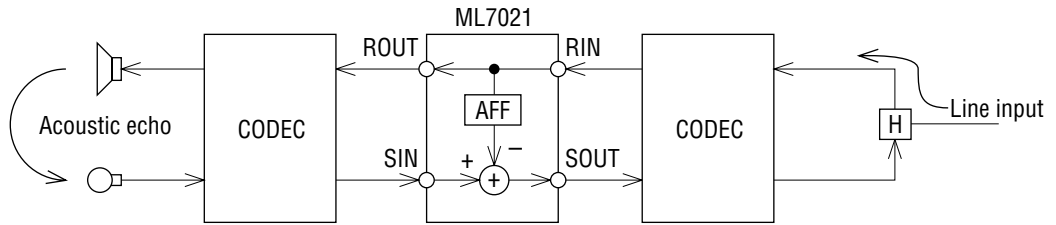


HOW TO USE THE ML7021

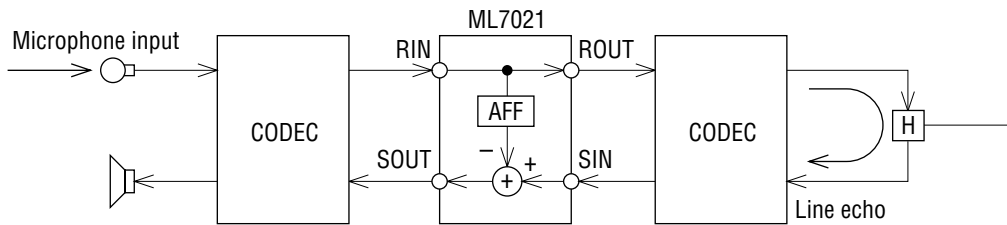
The ML7021 cancels (based on the RIN signal) the echo which returns to SIN.
 Connect the base signal to the R side and the echo generated signal to the S side.

Connection Methods According to Echos

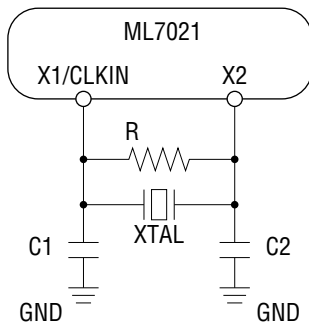
Example 1: Canceling acoustic echo (to handle acoustic echo from line input)



Example 2: Canceling line echo (to handle line echo from microphone input)

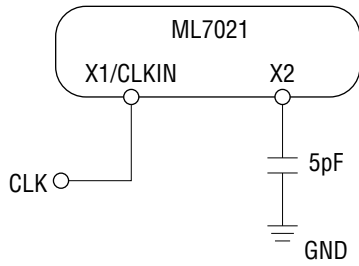


Internal Clock Generator Circuit Example

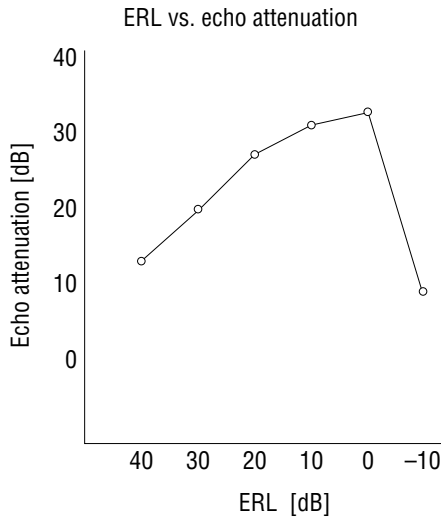


XTAL : 19.2 MHz
R : 1 MΩ
C1 : 27 pF
C2 : 27 pF

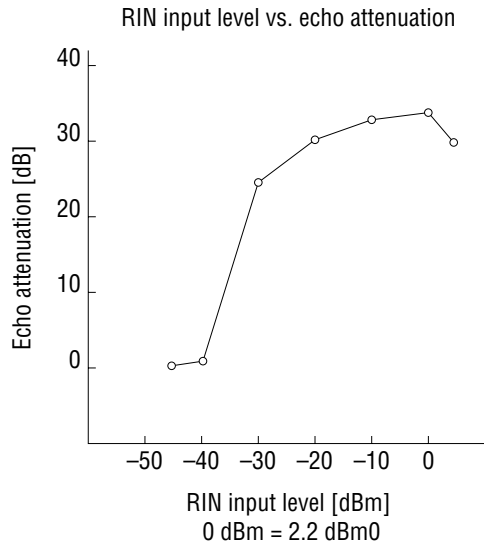
External Clock Input Circuit Example



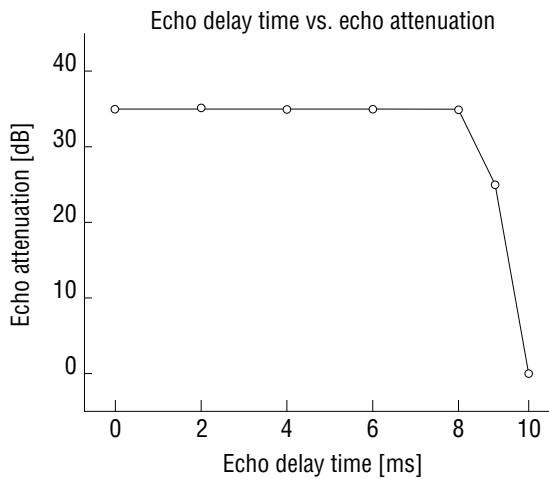
ECHO CANCELER CHARACTERISTIC DIAGRAM



Measurement Conditions
 RIN input = -10 dBm 5 kHz band white noise
 (0 dBm = 2.2 dBm0)
 Echo delay time T_D = 8 ms
 ATT, GC, NLP = OFF
 Power supply voltage 5 V



Measurement Conditions
 RIN input: 5 kHz band white noise
 Echo delay time T_D = 8 ms
 ERL = 6 dB
 ATT, GC, NLP = OFF
 Power supply voltage 5 V

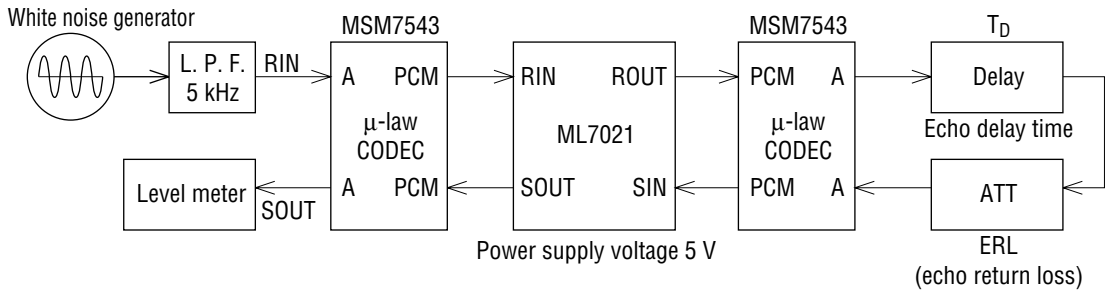


Measurement Conditions
 RIN input = -10 dBm
 5 kHz band white noise
 (0 dBm = 2.2 dBm0)
 ERL = 6 dB
 ATT, GC, NLP = OFF
 Power supply voltage 5 V

Note: The characteristics above are for the MSM7543 (V_{DD} 5 V, μ -law interface). The MSM7566 (V_{DD} 3 V, μ -law interface) provides the same characteristics without input and output levels. Refer to the PCM CODEC data sheet.

- MSM7543 (for both transmit and receive)
 - 0 dBm0 = 0.6007 Vrms = -2.2 dBm (600 Ω)
- MSM7566 (for transmit side)
 - 0 dBm0 = 0.35 Vrms = -6.9 dBm (600 Ω)
- (for receive side)
 - 0 dBm0 = 0.5 Vrms = -3.8 dBm (600 Ω)

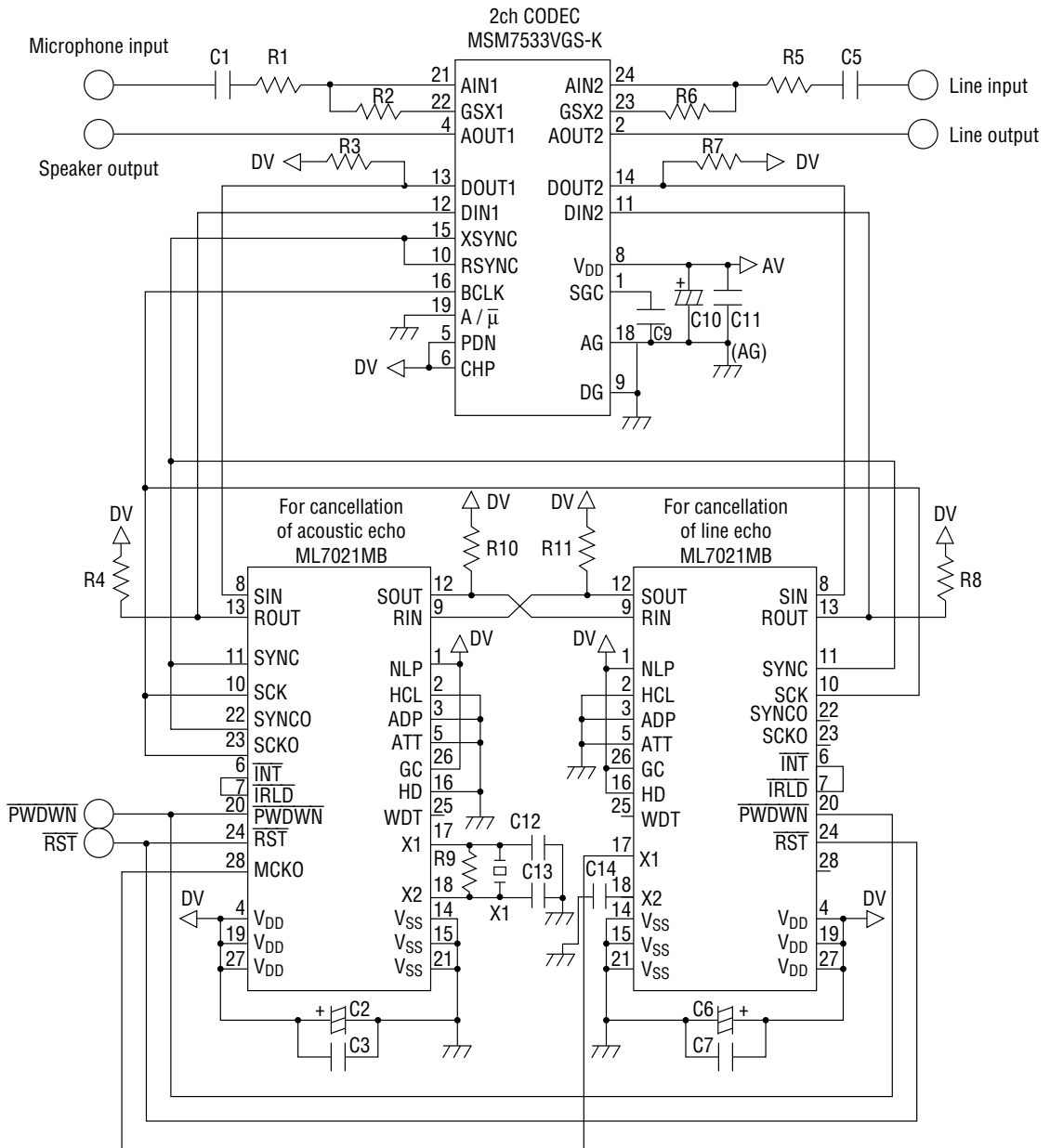
Measurement System Block Diagram



APPLICATION CIRCUIT

Bidirectional Connection Example

Use the MSM7704-01GS-VK for PCM CODEC when $V_{DD} = 3V$.
 The MSM7533 and MSM7704 are pin compatible.



R1 = 20 kΩ	C1 = 1 μF	R5 = 20 kΩ	C5 = 1 μF	C9 = 0.1 μF	R9 = 1 MΩ
R2 = 20 kΩ	C2 = 10 μF	R6 = 20 kΩ	C6 = 10 μF	C10 = 10 μF	C12 = 27 pF
R3 = 2.2 kΩ	C3 = 0.1 μF	R7 = 2.2 kΩ	C7 = 0.1 μF	C11 = 0.1 μF	C13 = 27 pF
R4 = 10 kΩ	C4 = 0.1 μF	R8 = 10 kΩ	C8 = 0.1 μF		X1 = 19.2 MHz
R10 = 10 kΩ		R11 = 10 kΩ			C14 = 5 pF

NOTES ON USE

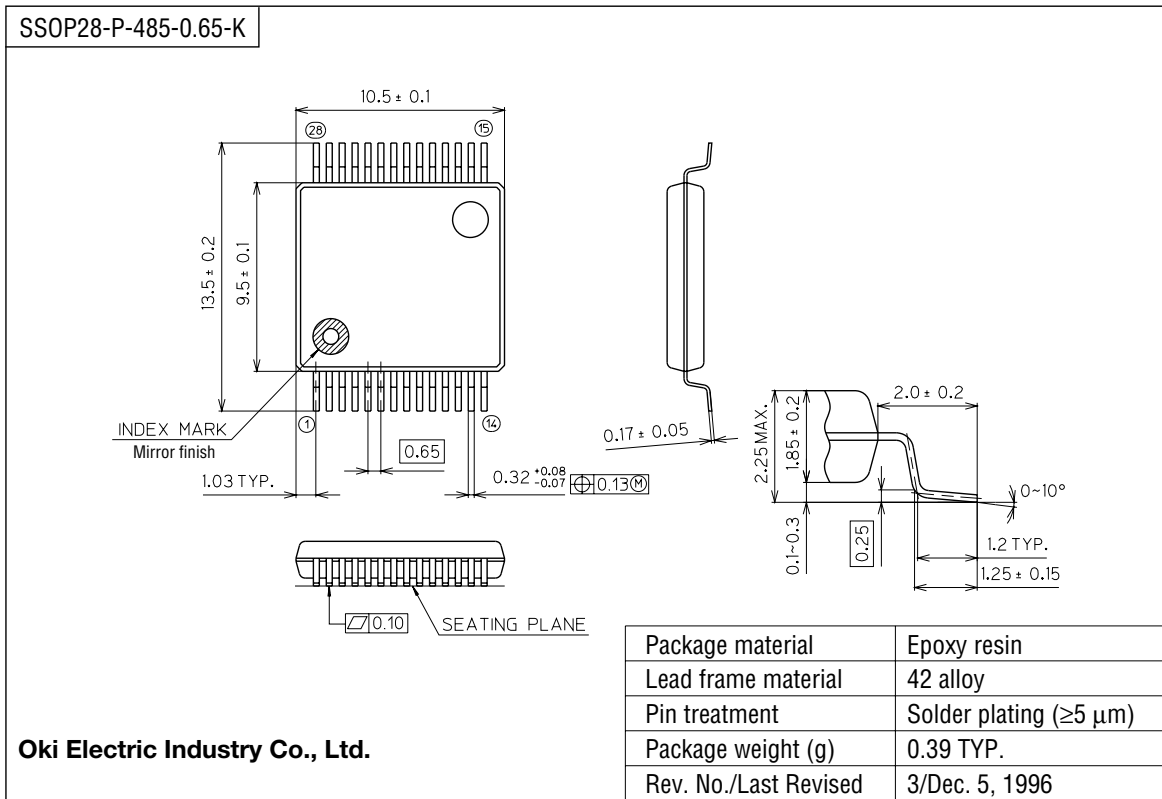
1. Set echo return loss (ERL) to be attenuated. If the echo return loss is set to be amplified, the echo can not be eliminated.
Refer to the characteristic diagram for ERL vs. echo attenuation quantity.
2. Set the level of the analog input so that the PCM CODEC does not overflow.
3. The recommended input level is -10 to -20 dBm₀. Refer to the characteristic diagram for the RIN input level vs. echo attenuation quantity.
4. Applying the tone signal to this echo canceler for long duration may decrease echo attenuation.
When used with the HD pin "L" (howling detector ON), this echo canceler may operate faultily if, while a signal is input to the RIN pin, a tone signal with a higher level than the signal being input to RIN is input to the SIN pin.
A signal should therefore be input either to the RIN pin or to the SIN pin. If, however, the tone signal is input to the SIN pin while a signal is input to the RIN pin, the ADP, HD, or HCL pin must be set to "H".
5. For changes in the echo path (retransmit, circuit switching during transmission, and so on), convergence may be difficult.
Perform a reset, to make it converge.
If the state of the echo path changes after a reset, convergence may again be difficult.
In cases such as a change in the echo path, perform a reset each time.
6. When turning the power ON, set the $\overline{\text{PWDWN}}$ pin to "1" and input the basic clock simultaneously with power ON.
If powering down immediately after power ON, be sure fast input 10 or more clocks of the basic clock.
7. After powering ON, be sure to reset.
8. After the power down mode is released (when the $\overline{\text{PWDWN}}$ pin is changed from "L" to "H"), be sure to reset the device.
9. If this canceler is used to cancel acoustic echoes, an echo attenuation may be less than 30 dB.

EXPLANATION OF TERMS

Attenuating Function :	This function prevents howling and controls the noise level with the attenuator for the RIN input and SOUT output. Refer to the explanation of pins (ATT pin).
Echo Attenuation :	If there is talking (input only to RIN) in the path of a rising echo arises, the echo attenuation refers to the difference in the echo return loss (canceled amount) when the echo canceler is not used and when it is used. Echo attenuation = (SOUT level during through mode operation) – (SOUT level during echo canceler operation) [dB]
Echo Delay Time :	This is the time from when the signal is output from ROUT until it returns to SIN as an echo.
Acoustic Echo :	When using a hands free phone, and so on, the signal output from the speaker echoes and is input again to the microphone. The return signal is referred to as acoustic echo.
Telephone Line Echo :	This is a signal which is delayed midway in a telephone line and returns as an echo, due to reasons such as a hybrid impedance mismatch.
Gain Control Function :	This function prevents howling and controls the sound level with a gain controller for the RIN input. Refer to the explanation of pins (GC pin).
Center Clipping Function :	This function forces the SOUT output to a minimum value when the signal is below -54 dBm0. Refer to the explanation of pins (NLP pin).
Double Talk Detection :	Double talk refers to a state in which the SIN and RIN signals are input simultaneously. In a double talk state, a signal outside the echo signal which is to be canceled can be input to the SIN input, resulting in misoperation. The double talk detector prevents such misoperation of the canceler.
Howling Detection :	This is the oscillating state caused by the acoustic coupling between the loud speaker and the microphone during hands free talking. Howling not only interferes with talking, but can also cause in misoperation of the echo canceler. The howling detector prevents such misoperation and prevents howling.
Echo Return Loss (ERL) :	When the signal output from ROUT returns to SIN as an echo, ERL refers to how much loss there is in the signal level during ROUT. ERL = (ROUT level) – (SIN level of the ROUT signal which returns as an echo) [dB] If ERL is positive (ROUT > SIN), the system is an attenuator system. If ERL is negative (ROUT < SIN), the system is an amplifier system.

PACKAGE DIMENSIONS

(Unit : mm)



Notes for Mounting the Surface Mount Type Package

The surface mount type packages are very susceptible to heat in reflow mounting and humidity absorbed in storage. Therefore, before you perform reflow mounting, contact Oki's responsible sales person for the product name, package name, pin number, package code and desired mounting conditions (reflow method, temperature and times).

REVISION HISTORY

Document No.	Date	Page		Description
		Previous Edition	Current Edition	
FEDL7021-02	Nov. 2001	–	–	Final edition 2
FEDL7021-03	Jun. 1, 2005	10	10	Revised Max. values of “Sync Timing” and “Sync Signal Width” in the Table in the “AC Characteristics” Section.

NOTICE

1. The information contained herein can change without notice owing to product and/or technical improvements. Before using the product, please make sure that the information being referred to is up-to-date.
2. The outline of action and examples for application circuits described herein have been chosen as an explanation for the standard action and performance of the product. When planning to use the product, please ensure that the external conditions are reflected in the actual circuit, assembly, and program designs.
3. When designing your product, please use our product below the specified maximum ratings and within the specified operating ranges including, but not limited to, operating voltage, power dissipation, and operating temperature.
4. Oki assumes no responsibility or liability whatsoever for any failure or unusual or unexpected operation resulting from misuse, neglect, improper installation, repair, alteration or accident, improper handling, or unusual physical or electrical stress including, but not limited to, exposure to parameters beyond the specified maximum ratings or operation outside the specified operating range.
5. Neither indemnity against nor license of a third party's industrial and intellectual property right, etc. is granted by us in connection with the use of the product and/or the information and drawings contained herein. No responsibility is assumed by us for any infringement of a third party's right which may result from the use thereof.
6. The products listed in this document are intended for use in general electronics equipment for commercial applications (e.g., office automation, communication equipment, measurement equipment, consumer electronics, etc.). These products are not, unless specifically authorized by Oki, authorized for use in any system or application that requires special or enhanced quality and reliability characteristics nor in any system or application where the failure of such system or application may result in the loss or damage of property, or death or injury to humans.
Such applications include, but are not limited to, traffic and automotive equipment, safety devices, aerospace equipment, nuclear power control, medical equipment, and life-support systems.
7. Certain products in this document may need government approval before they can be exported to particular countries. The purchaser assumes the responsibility of determining the legality of export of these products and will take appropriate and necessary steps at their own expense for these.
8. No part of the contents contained herein may be reprinted or reproduced without our prior permission.

Copyright 2005 Oki Electric Industry Co., Ltd.