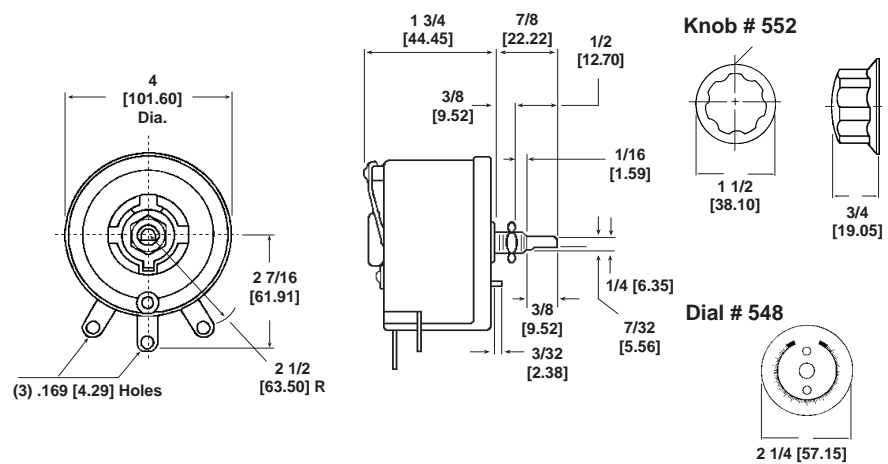


Power Rheostats

150 Watt


FEATURES

- Diameter 4" [101.60mm]
- Depth behind panel 1 3/4" [44.45mm]
- Shaft 1/4" [6.35mm] diameter
- Rotation 300° ± 5° and weight 1.014 pounds (460 grams)
- Total ohms available in higher ranges up to 25,000 ohms
- Mounts on panels up to 1/4" [6.35mm] by means of a 3/8" [9.52mm], 32 bushing and hex nut
- Non-turn lugs require 3/16" [4.76mm] hole, 1/2" [12.70mm] below center of shaft - Model "A" shaft
- U. L. Approved

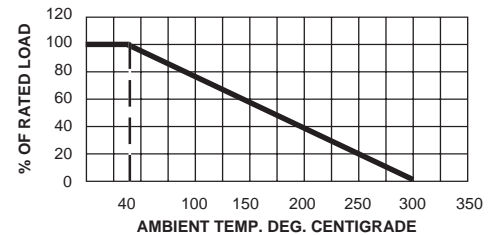
DIMENSIONS in inches [millimeters]


RESISTANCE VALUES*		
TOTAL OHMS	MAXIMUM AMPS	APPROXIMATE STEPS
0.5	17.350	35
1.0	12.247	39
2.0	8.660	39
3.0	7.071	70
5.0	5.477	73
7.5	4.472	70
10.0	3.873	70
15.0	3.162	120
25.0	2.449	152
50.0	1.732	190
75.0	1.414	228
100.0	1.225	228
200.0	0.866	265
300.0	0.707	303
400.0	0.612	342
500.0	0.548	342
750.0	0.447	418
1000.0	0.387	432
2000.0	0.274	575
2500.0	0.244	456
5000.0	0.173	865
7500.0	0.141	1000
10000.0	0.122	1000

* All other intermediate resistance values are available and can be manufactured on a normal delivery cycle.

DERATING

Angstromh rheostat standard wattage ratings are based on a 300°C rise in "free-air" in ambient not exceeding + 40°C (shown). For other applications, wattage ratings are available based on 340°C rise in "free-air" in ambient not exceeding + 25°C, and in other cases + 50°C.



MARKING
— Resistance value
— Amps
— Date code

ORDERING INFORMATION		
<u>MP30</u> MODEL	<u>A</u> BUSHING AND SHAFT CONFIGURATION	<u>25</u> VALUE
A = Standard Flatted Shaft		
NOTE: For Additional Features: Submit detailed drawing information when ordering "non-standard" parts.		



Notice

Specifications of the products displayed herein are subject to change without notice. Vishay Intertechnology, Inc., or anyone on its behalf, assumes no responsibility or liability for any errors or inaccuracies.

Information contained herein is intended to provide a product description only. No license, express or implied, by estoppel or otherwise, to any intellectual property rights is granted by this document. Except as provided in Vishay's terms and conditions of sale for such products, Vishay assumes no liability whatsoever, and disclaims any express or implied warranty, relating to sale and/or use of Vishay products including liability or warranties relating to fitness for a particular purpose, merchantability, or infringement of any patent, copyright, or other intellectual property right.

The products shown herein are not designed for use in medical, life-saving, or life-sustaining applications. Customers using or selling these products for use in such applications do so at their own risk and agree to fully indemnify Vishay for any damages resulting from such improper use or sale.