

Monolithic crystal filter

MQF45.5-2500/02

Application

- 4 pol filter
- i.f.- filter
- use in mobile and stationary transceivers

Limiting values

		Unit	Value
Center frequency	f_0	MHz	45.5
Insertion loss		dB	≤ 4.0
Pass band at 3.0 dB		kHz	± 12.5
Ripple in pass band	$f_0 \pm 8.0$ kHz	dB	≤ 1.0
Stop band attenuation	$f_0 \pm 75$ kHz	dB	≥ 40
Alternate attenuation	$f_0 \pm 900$ kHz	dB	> 80
Spurious response		dB	> 30
Group delay distortion	$f_0 \pm 8$ kHz	μ s	< 2.5

Terminating impedance Z

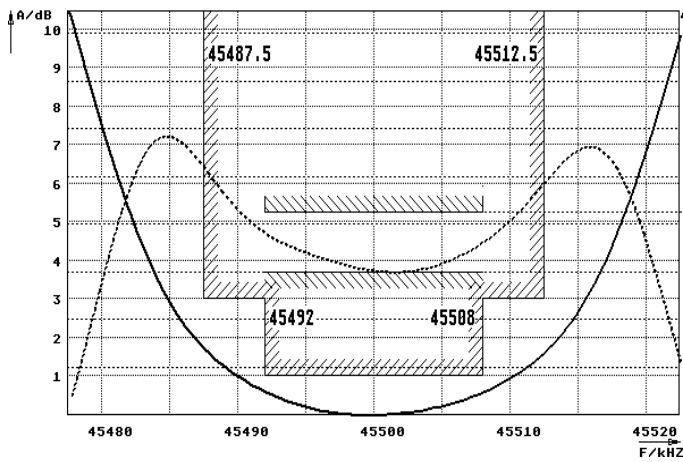
R1 C1	Ohm/pF	50 0
R2 C2	Ohm/pF	50 0

Operating temp. range

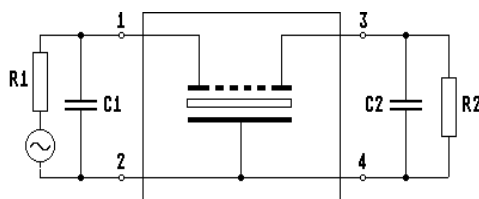
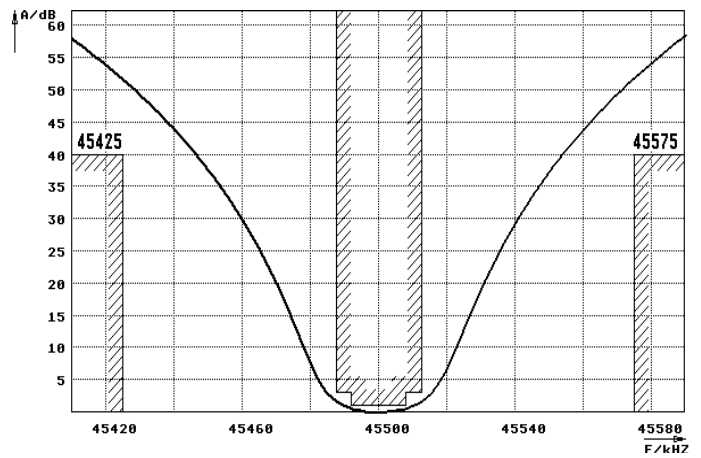
$^{\circ}$ C -20... +70

Characteristics

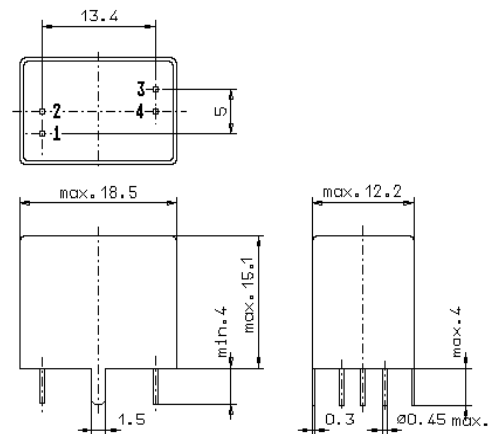
Pass band



Stop band



Pin connections: 1 Input
2 Input-E
3 Output
4 Output-E



GV5.1