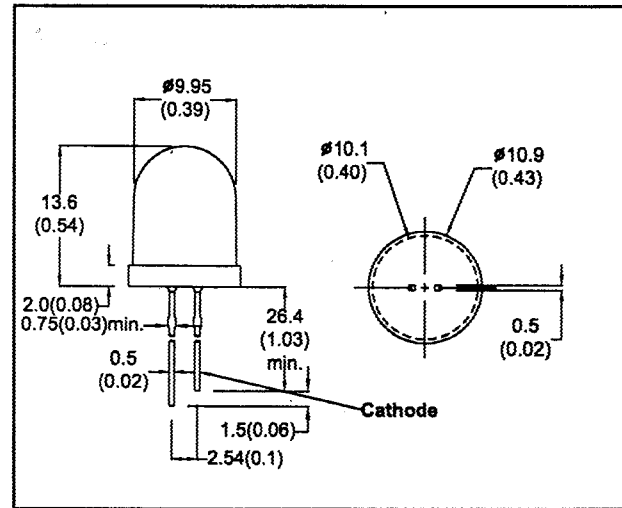


MICRO ELECTRONICS MSB100DA-X

**ULTRA HIGH
BRIGHTNESS
RED LED LAMP**

DESCRIPTION

MSB100DA-X is ultra high brightness output red GaAlAs LED lamp encapsulated in a 10mm diameter large package, red diffused lens. 6 brightness grouping is provided for customer's selection.



- All dimension in mm(inch)
- No Scale
- Tol. : +/-0.3mm

ABSOLUTE MAXIMUM RATINGS

Power Dissipation @ Ta=25°C	100mW
Forward Current, DC (IF)	40mA
Reverse Voltage	5V
Operating & Storage Temperature Range	-55 to +100°C
Lead Temperature	260°C

ELECTRO-OPTICAL CHARACTERISTICS (Ta=25°C)

PARAMETER	SYMBOL	MIN	TYP	MAX	UNIT	CONDITIONS
Forward Voltage	VF		1.8	2.4	V	IF=20mA
Reverse Breakdown Voltage	BVR	5			V	IR=100 μA
Luminous Intensity	IV					
MSB100DA-0		15	25			
MSB100DA-1		25	35		mcd	
MSB100DA-2		30	40		mcd	IF=20mA
MSB100DA-3		35	45		mcd	IF=20mA
MSB100DA-4		40	55		mcd	IF=20mA
MSB100DA-5		50	65		mcd	IF=20mA
Peak Wavelength	λp		660		nm	IF=20mA
Spectral Line Half Width	Δλ		20		nm	IF=20mA
Viewing Angle	2θ 1/2		60		nm	IF=20mA



MICRO ELECTRONICS LTD.

38, Hung To Road, Microtron Building, Kwun Tong, Kowloon, Hong Kong.

Kwun Tong P.O. Box 69477 Hong Kong. Fax No. 2341 0321 Telex:43510 Micro Hx. Tel: 2343 0181-5

Mar-99