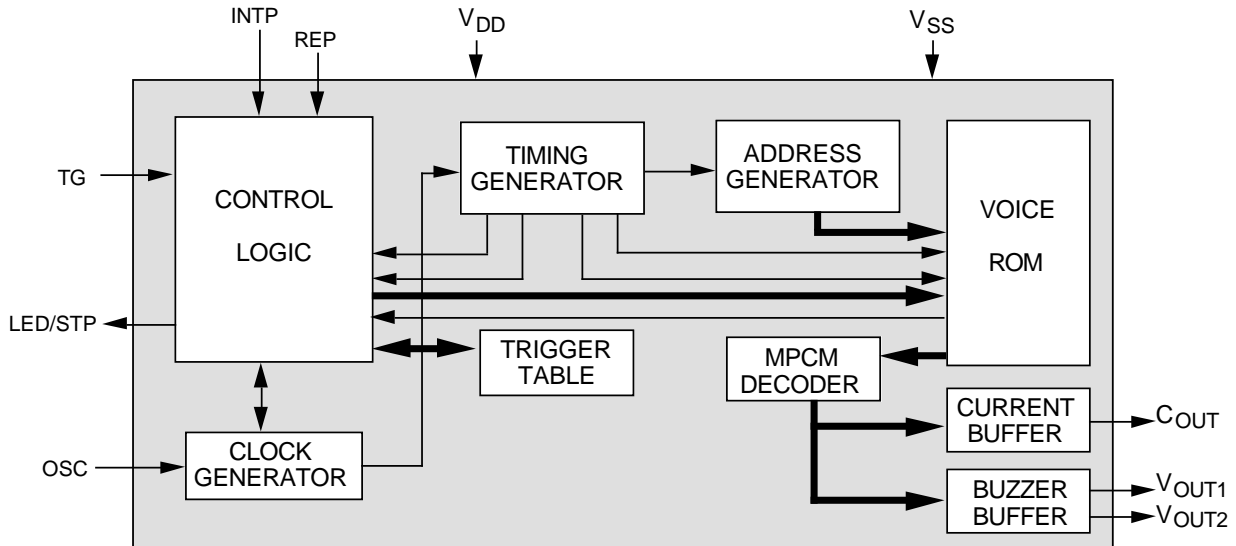


Features

- Single power supply can operate at 2.4V through 6V.
- Current output can drive 8 ohm speaker with a transistor, Vout can drive buzzer directly.
- The voice content is stored for 7-12 seconds for S1121 including mute and is single section / phrase and single trigger.
- Automatic power down.
- A phrase is composed of repetitive sections.
- Interrupt function (INTP) stops the audio output at once.
- An LED function with 3Hz flash is provided to tell the audio status.
- A STOP pulse comes out when audio signal is finished.
- CDS input interface with 10ms debounce is provided for trigger pin, REP pin and INTP pin.
- Repeat pin was provided to keep audio output repeating.
- Built-in power on play function and is programmable.
- Programmable option for either Retrigger or not.
- Programmable option for either Level or Edge trigger type.
- Programmable option for either Holdable c Unholdable output type.
- Programmable option for repeat times up to 8 times.
- Programmable option for either LED display or STOP pulse on LED/STP pin.
- S1121 can be programmed by MSM9159, MSM9156, MSM9141S, MSM9140 & MSM9139.

Block Diagram



See 15-page data sheet PID 224B 04/95 for details which belongs to MSSI241.

Taiwan  
 #1, Creation Road I,  
 Science - based Industrial Park,  
 Hsinchu, 30077  
 Taiwan, ROC  
 "audio\_reply @ccmail.mosel.com.tw"  
 TEL: 886-3-5770055  
 FAX: 886-3-5772788  
 FAX: 886-3-5784732

Taipei  
 7F, #102 Sec. 3,  
 Ming Chung E. Road,  
 Taipei, 105  
 Taiwan, ROC  
 TEL: 886-2-5451213  
 FAX: 886-2-5451214

Hongkong  
 #19 Dai Fu Street,  
 Taipo Industrial Estate,  
 Taipo, N.T.  
 Hongkong  
 TEL: 852-2388-8277(MKO)  
 TEL: 852-2665-4883  
 FAX: 852-2664-2406  
 FAX: 852-2770-8011(MKO)

U.S.A.  
 #3910 North First Street,  
 San Jose,  
 CA. 65134-1501  
 U.S.A.  
 TEL: 1-408-433-6000  
 FAX: 1-408-433-0952