

# MICRO

ELECTRONICS

**MT 14Y-3S**

26mm DIAMETER  
LED LAMP  
CLUSTER SERIES

## DESCRIPTION

MT14Y-3S is a 26mm diameter LED lamp cluster consists of 14 pieces of T-1 3/4 (5mm) ultra high brightness output LED with 6 pcs of red and 8 pcs of green.

These clusters are most suitable for information boards, highway sign boards, traffic lights, subway signal lamps etc.

## ABSOLUTE MAXIMUM RATINGS

	<u>Red</u>	<u>Green</u>
Power Dissipation @ Ta=25°C	220mW	355mW
Forward Current, DC (IF)	30mA	60mA
Reverse Voltage	30V	20V
Operating Temperature	-40 to +80°C	
Storage Temperature	-50 to +80°C	

## ELECTRO-OPTICAL CHARACTERISTICS (Ta=25°C)

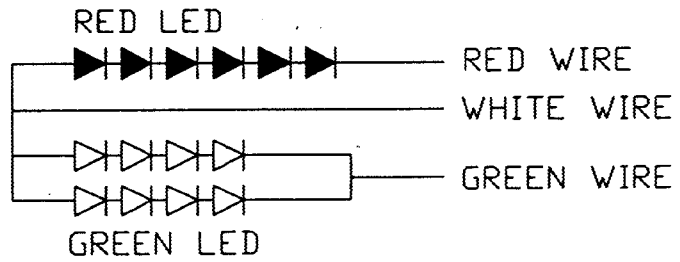
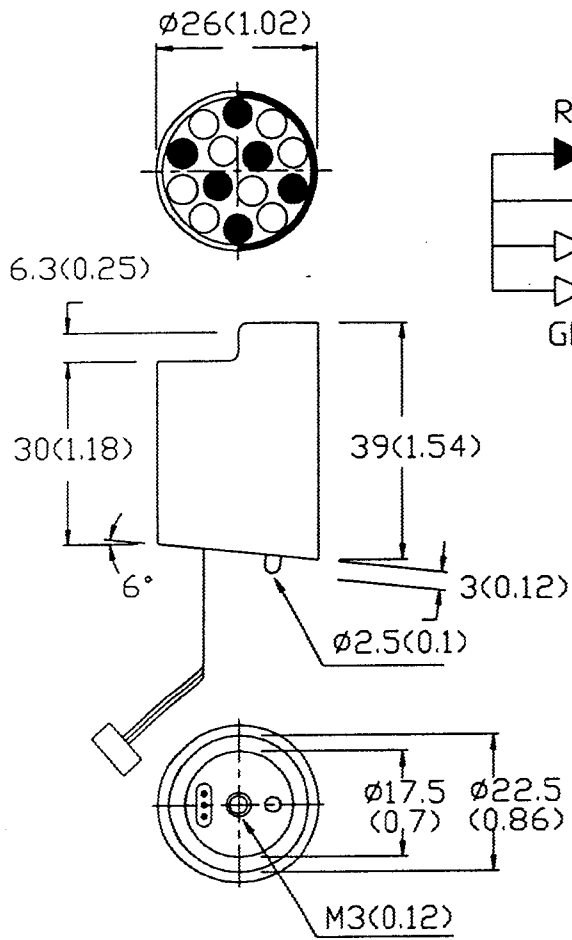
PARAMETER		SYMBOL	MIN	TYP	MAX	UNIT	CONDITIONS
Forward Voltage	Red	$V_F$		10.8	14.4	V	$I_F=20mA$
	Green			8.8	12	V	$I_F=40mA$
Reverse Current	Red	$I_R$			100	$\mu A$	$V_R=30V$
	Green				200	$\mu A$	$V_R=20V$
Luminous Intensity	Red	$I_V$	600	1200		mcd	$I_F=20mA$
	Green		800	1600		mcd	$I_F=40mA$
Peak Wavelength	Red	$\lambda_p$		660		nm	$I_F=20mA$
	Green			565		nm	$I_F=40mA$
Spectral Line Half Width	Red	$\Delta\lambda$		20		nm	$I_F=20mA$
	Green			30		nm	$I_F=40mA$
Wide Viewing Angle		$2\theta_{1/2}$		100		degree	



MICRO ELECTRONICS LTD.

38, Hung To Road, Microtron Building, Kwun Tong, Kowloon, Hong Kong.

Kwun Tong P.O. Box 69477 Hong Kong. Fax No. 2341 0321. Telex: 43510 Micro Hx. Tel: 2343 0181-5



UNIT: MM(INCH)  
 TOL:  $\pm 0.3\text{MM}(0.012")$