

MICRO

ELECTRONICS

MT 14Y

26mm DIAMETER
LED LAMP
CLUSTER SERIES

DESCRIPTION

MT14Y is a 26mm diameter LED lamp cluster consists of 14 pieces of T-1 3/4 (5mm) ultra high brightness output LED with 6 pcs of red and 8 pcs of green.

These clusters are most suitable for information boards, highway sign boards, traffic lights, subway signal lamps etc.

ABSOLUTE MAXIMUM RATINGS

	Red	Green
Power Dissipation @ Ta=25°C	220mW	355mW
Forward Current, DC (IF)	30mA	60mA
Reverse Voltage	30V	20V
Operating Temperature	-40 to +80°C	
Storage Temperature	-50 to +80°C	

ELECTRO-OPTICAL CHARACTERISTICS (Ta=25°C)

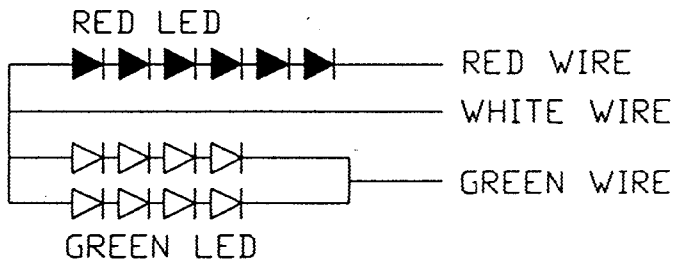
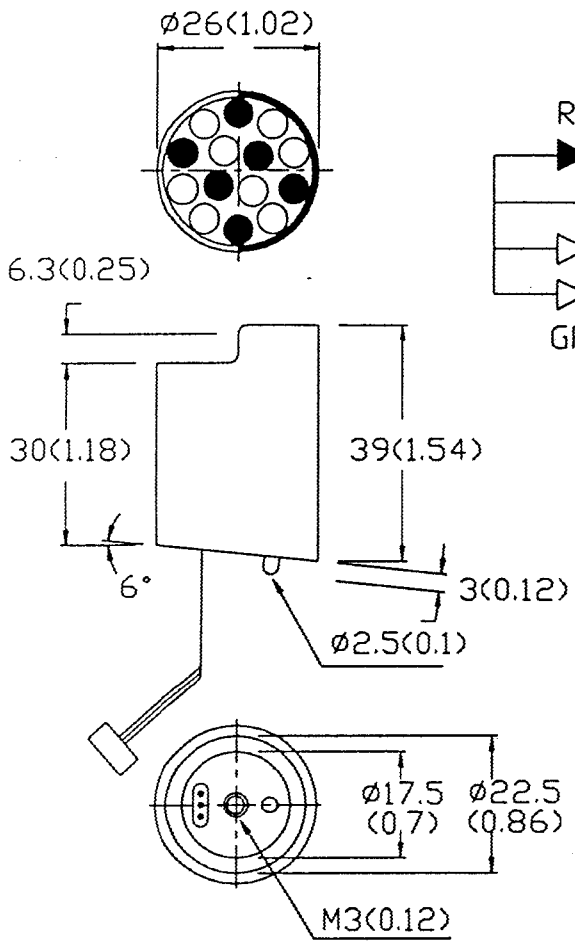
PARAMETER	SYMBOL	MIN	TYP	MAX	UNIT	CONDITIONS
Forward Voltage	V _F		10.8	14.4	V	I _F =20mA
			8.8	12	V	I _F =40mA
Reverse Current	I _R			100	μA	V _R =30V
				200	μA	V _R =20V
Luminous Intensity	I _v	600	1200		mcd	I _F =20mA
		800	1600		mcd	I _F =40mA
Peak Wavelength	λ _p		660		nm	I _F =20mA
			565		nm	I _F =40mA
Spectral Line Half Width	Δλ		20		nm	I _F =20mA
			30		nm	I _F =40mA
Wide Viewing Angle	2 θ _{1/2}		100		degree	



MICRO ELECTRONICS LTD.

38, Hung To Road, Microtron Building, Kwun Tong, Kowloon, Hong Kong.

Kwun Tong P.O. Box 69477 Hong Kong. Fax No. 2341 0321 Telex:43510 Micro Hx. Tel: 2343 0181-5



UNIT: MM(INCH)
 TOL.: $\pm 0.3\text{MM}(0.012")$