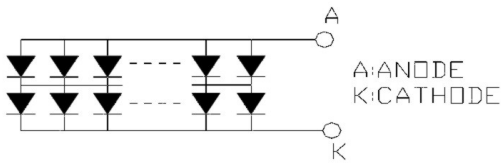
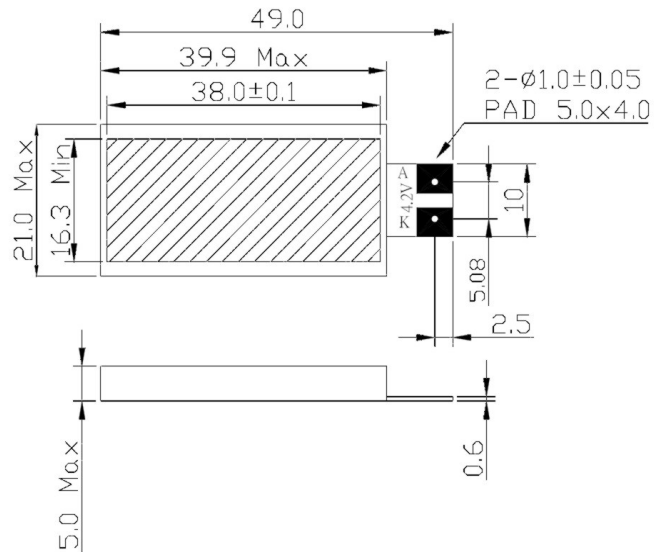
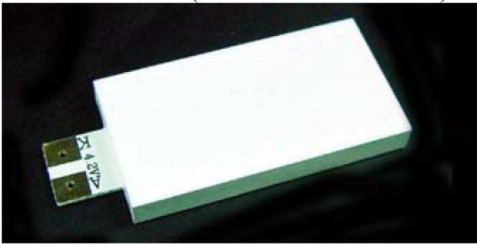


**Features**

- Design flexibility – Available in a variety sizes and colors to suit most any application.
- Durable Acrylic Panel – Offers sturdy mechanical support and device stability.
- Long lifetimes – Typically 100k hours.
- Low power consumption – Uses far less power than standard incandescent EL or CCFL light sources.

**Applications**

- Backlighting LCD Displays; Panels and Symbols
- Illumination of Large Surface Areas



LED NUMBERS: 7X2=14

**Electrical and Optical Characteristics (Ta=25°C)**

| Part Number | PWL nm<br>λP | Material | View Angle<br>2θ <sub>1/2</sub> | Luminous Intensity<br>I <sub>v</sub> |        |      |      | Forward Voltage<br>V <sub>F</sub> |      |      |      |
|-------------|--------------|----------|---------------------------------|--------------------------------------|--------|------|------|-----------------------------------|------|------|------|
|             |              |          |                                 | min.                                 | typ.   | max. | IF@  | min.                              | typ. | max. | IF@  |
| MTBL2130-G  | 574          | InGaAlP  | -                               | -                                    | 220.00 | -    | 20mA | -                                 | 4.10 | -    | 20mA |
| -           | nm           | -        | deg                             | mcd                                  |        |      |      | -                                 | V    |      | -    |