

## MTE7710

### Features

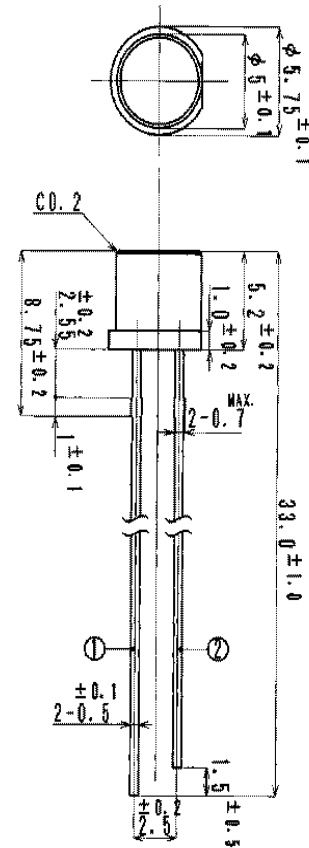
High Power Output  
Narrow Beam Angle  
High Reliability

### Applications

Optical Sensors  
Optical Switches  
Medical Applications

### Maximum Ratings (Ta=25°C)

Characteristic	Symbol	Max.	Test Condition	Unit
Forward Current	I <sub>F</sub>	50	-	mA
Pulsed Forward Current	I <sub>FP</sub>	.50	tw=10μ S, T=10mS	A
Reverse Voltage	V <sub>R</sub>	5	-	V
Power Dissipation	P <sub>D</sub>	100.00	-	mW
Operating Temperature	T <sub>opr</sub>	-20 ~ +80	-	°C
Storage Temperature	T <sub>stg</sub>	-30 ~+100	-	°C
Junction Temperature	T <sub>j</sub>	100	-	°C
Soldering Temperature	T <sub>sol</sub>	260	for 5 sec. max	°C



① Anode

② Cathode

### Opto-Electrical Characteristics (Ta=25°C)

Characteristic	Symbol	Test Condition	Min	Typ	Max	Unit
Forward Voltage	V <sub>F</sub>	I <sub>F</sub> =20mA	-	1.55	2.00	V
Reverse Current	I <sub>R</sub>	V <sub>R</sub> =5V	-	-	100	μA
Power Output	PO	I <sub>F</sub> =20mA	-	6.00	-	mW
Half Intensity Beam Angle	θ	-	-	± 45°	-	deg.
Peak Wavelength	λ <sub>p</sub>	I <sub>F</sub> =20mA	-	770	-	nm
Spectral Line Half Width	Δλ	I <sub>F</sub> =20mA	-	30	-	nm
Temp Coefficient of PO	P/T	I <sub>F</sub> =10mA	-	-0.60	-	%/°C
Temp Coefficient of V <sub>F</sub>	V/T	I <sub>F</sub> =10mA	-	-2.00	-	mV/°C
Junction Capacitance	C <sub>j</sub>	1 MHz, V=0V	-	35	-	pF

### Company Headquarters

3 Northway Lane North  
Latham, New York 12110  
Toll Free: 800.984.5337  
Fax: 518.785.4725

### West Coast Sales Office

950 South Coast Drive, Suite 265  
Costa Mesa, California 92626  
Toll Free: 800.984.5337  
Fax: 714.850.9314

## MTE7710 Graphs

