

MXY SERIES
Low Profile with Horizontal Mounting
◆FEATURES

- Load Life : 105°C 3000 hours with horizontal mounting.
- Suitable for flat equipment design.
- RoHS compliance.


◆SPECIFICATIONS

Items	Characteristics						
Category Temperature Range	-25~+105°C						
Rated Voltage Range	160V~400V.DC						
Capacitance Tolerance	±20% (20°C, 120Hz)						
Leakage Current(MAX)	$I=3\sqrt{CV}$ (After 5 minutes application of rated voltage) I =Leakage Current(μA) V =Rated Voltage(V) C =Rated Capacitance(μF)						
Dissipation Factor(MAX) (tan δ)	0.15 (20°C, 120Hz)						
Impedance Ratio(MAX)	<table border="1"> <thead> <tr> <th>(V) Rated Voltage</th> <th>160~250</th> <th>400</th> </tr> </thead> <tbody> <tr> <td>$Z(-25°C)/Z(20°C)$</td> <td>3</td> <td>8</td> </tr> </tbody> </table> (120Hz)	(V) Rated Voltage	160~250	400	$Z(-25°C)/Z(20°C)$	3	8
(V) Rated Voltage	160~250	400					
$Z(-25°C)/Z(20°C)$	3	8					
Endurance	After applying rated voltage with rated ripple current for 3000hrs at 105°C, the capacitors shall meet the following requirements. <table border="1"> <tbody> <tr> <td>Capacitance Change</td> <td>Within ±20% of the initial value.</td> </tr> <tr> <td>Dissipation Factor</td> <td>Not more than 200% of the specified value.</td> </tr> <tr> <td>Leakage Current</td> <td>Not more than the specified value.</td> </tr> </tbody> </table>	Capacitance Change	Within ±20% of the initial value.	Dissipation Factor	Not more than 200% of the specified value.	Leakage Current	Not more than the specified value.
Capacitance Change	Within ±20% of the initial value.						
Dissipation Factor	Not more than 200% of the specified value.						
Leakage Current	Not more than the specified value.						

◆MULTIPLIER FOR RIPPLE CURRENT

Frequency coefficient

Frequency (Hz)	60(50)	120	500	1k	10k≤	
Coefficient	160~250WV	0.80	1.00	1.10	1.14	1.18
	400WV	0.80	1.00	1.05	1.10	1.15

◆PART NUMBER

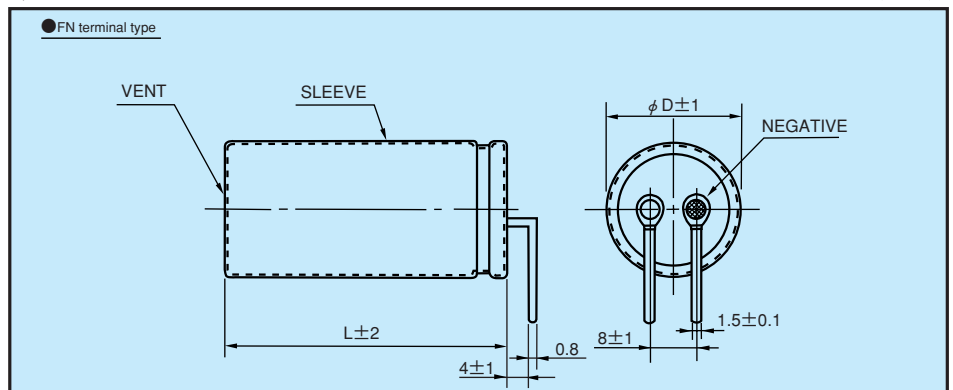
□□□	MXY	□□□□□	□	OOE	FN	D×L
Rated Voltage	Series	Rated Capacitance	Capacitance Tolerance	Option	Terminal Code	Case Size

◆Option

	Code
without plate	OOE
with plate	Blank

◆DIMENSIONS

(mm)





◆ STANDARD SIZE, RATED RIPPLE CURRENT

Cap(μF)	WV φD	160						200					
		φ 20		φ 22		φ 25		φ 20		φ 22		φ 25	
270								20×30	0.97				
330		20×30	1.02					20×35	1.17	22×30	1.20		
390		20×35	1.15	22×30	1.17			20×40	1.27	22×35	1.30		
470		20×40	1.25	22×30	1.28			20×45	1.41	22×40	1.44		
560		20×45	1.42	22×35	1.45			20×55	1.56	22×45	1.60	25×35	1.60
680		20×50	1.60	22×40	1.64	25×35	1.70	20×60	1.71	22×50	1.75	25×40	1.76
820		20×55	1.81	22×45	1.85	25×40	1.92			22×60	2.10	25×45	2.10
1000				22×55	2.10	25×45	2.17					25×50	2.36
1200						25×50	2.43						
1500						25×60	2.62						

Cap(μF)	WV φD	250						400					
		φ 20		φ 22		φ 25		φ 20		φ 22		φ 25	
68								20×30	0.48				
82								20×30	0.54				
100								20×35	0.60	22×30	0.62		
120								20×40	0.71	22×35	0.73		
150								20×45	0.83	22×40	0.85	25×35	0.85
180		20×30	0.82					20×55	0.93	22×45	0.95	25×35	0.92
220		20×35	0.95	22×30	0.97					22×50	1.08	25×40	1.05
270		20×40	1.08	22×35	1.11					22×60	1.20	25×50	1.29
330		20×45	1.23	22×40	1.26							25×60	1.41
390		20×50	1.38	22×45	1.41	25×35	1.42						
470		20×60	1.54	22×50	1.58	25×40	1.61						
560				22×55	1.80	25×45	1.80						
680						25×50	2.03						
820						25×60	2.26						

↑ Ripple Current (A r.m.s./120Hz, 105°C)
 ↑ Case Size φ D×L(mm)