

1.5V Operation Fundamental Quartz Crystal Oscillator

■GENERAL DESCRIPTION

The NJU6369 series is a C-MOS IC for fundamental quartz crystal oscillator that consists of an oscillation amplifier, 5-stage divider and 3-state output buffer, and can oscillate at 1.5V very low voltage.

The 5-stage divider generates only one frequency selected of $f_0, f_0/2, f_0/4, f_0/8, f_0/16$ and $f_0/32$ by internal circuits is output.

The oscillation amplifier is realized very low stand-by current using NAND circuit.

The 3-state output buffer is C-MOS compatible.

■FEATURES

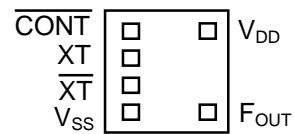
- Operating Voltage 1.5 to 3.6V
- Maximum Oscillation Frequency 40MHz@1.5V
50MHz@1.8V
60MHz@ $\geq 2.5V$
- Low Operating Current
- High Fan-out $I_{OH}/I_{OL}=2mA@1.8V$
 $I_{OH}/I_{OL}=5mA@2.5V$
 $I_{OH}/I_{OL}=6mA@3.3V$
Maximum Divider $f_0/32$
- 5-Stage Divider
- Oscillation Stop and Output Stand-by Function
- 3-State Output Buffer
- Oscillation Capacitors C_g and C_d on-chip
- Package Outline Thin-Chip
- C-MOS Technology

■PACKAGE OUTLINE



NJU6369XC-D

■PAD LOCATION



■LINE-UP TABLE

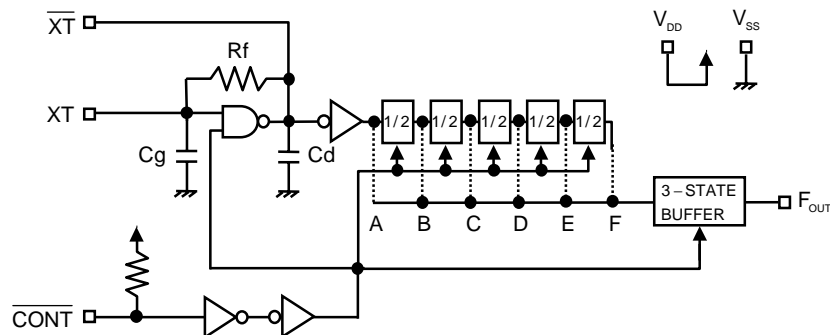
Type No.	F _{OUT}	Internal Connect	C _g /C _d
NJU6369	A	f_0	Connected A Line
	B	$f_0/2$	Connected B Line
	C	$f_0/4$	Connected C Line
	D	$f_0/8$	Connected D Line
	E	$f_0/16$	Connected E Line
	F	$f_0/32$	Connected F Line

■COORDINATES

No	Pad Name	X	Y
1	CONT	-178	231
2	XT	-178	77
3	XT	-178	-77
4	V _{SS}	-178	-231
5	F _{OUT}	206	-231
8	V _{DD}	206	231

Starting Point: Chip Center Unit[um]
 Chip Size: 0.7x0.75mm
 Thin-Chip Thickness: 200±20um
 Pad Size: 90x90um

■BLOCK DIAGRAM



■ ELECTRICAL CHARACTERISTICS

(Ta=25°C)

PARAMETER	SYMBOL	CONDITIONS	MIN	TYP	MAX	UNIT
Operating Voltage	V _{DD}		1.5		3.6	V

(V_{DD}=1.8V, Ta=25°C)

PARAMETER	SYMBOL	CONDITIONS	MIN	TYP	MAX	UNIT
Operating Current	I _{DD}	A version, fosc=16MHz, C _L =15pF			2	mA
		B version, fosc=16MHz, C _L =15pF			1.5	
		C version, fosc=16MHz, C _L =15pF			1	
		D version, fosc=16MHz, C _L =15pF			1	
		E version, fosc=16MHz, C _L =15pF			1	
		F version, fosc=16MHz, C _L =15pF			1	
Oscillation Stopping Current	I _{STB}	CONT=V _{SS} , No load		1	3	uA
Stand-by Current	I _{st}	CONT=XT=V _{SS} , No load Note4)			1	uA
Input Voltage	V _{IH}		1.28		1.8	V
	V _{IL}		0		0.54	V
Output Current	I _{OH}	V _{OH} =1.62V	2			mA
	I _{OL}	V _{OL} =0.18V	2			mA
Input Current	I _{IN}	CONT=0.8V _{DD}		3.0	4.5	uA
		CONT=0.2V _{DD}		0.5	0.7	uA
3-state Off Leakage Current	I _{OZ}	CONT=V _{SS} , F _{OUT} =V _{DD} or V _{SS}			±0.1	uA
Feedback Resistance	R _f			255		KΩ
Internal Capacitor	C _g /C _d	fosc=16MHz		8/9		pF
Maximum Oscillation Frequency	F _{MAX}		50			MHz
Output Signal Symmetry	SYM	C _L =15pF, @V _{DD} /2	45	50	55	%
		C _L =30pF, @V _{DD} /2	45	50	55	
Output Signal Rise Time	tr	C _L =15pF, 10% to 90%		3	6	ns
		C _L =30pF, 10% to 90%		6	12	
Output Signal Fall Time	tf	C _L =15pF, 90% to 10%		3	6	ns
		C _L =30pF, 90% to 10%		6	12	
Output Disable time	T _{PLZ}	C _L =15pF, R _{UP} =10kΩ			250	ns
Output Enable Time	T _{PZL}	C _L =15pF, R _{UP} =10kΩ			250	ns

Note4) Excluding input current on CONT Terminal.

($V_{DD}=2.5V, T_a=25^{\circ}C$)

PARAMETER	SYMBOL	CONDITIONS	MIN	TYP	MAX	UNIT
Operating Current	I_{DD}	A version, $f_{osc}=16MHz, C_L=15pF$			3	mA
		B version, $f_{osc}=16MHz, C_L=15pF$			2.5	
		C version, $f_{osc}=16MHz, C_L=15pF$			2	
		D version, $f_{osc}=16MHz, C_L=15pF$			2	
		E version, $f_{osc}=16MHz, C_L=15pF$			2	
		F version, $f_{osc}=16MHz, C_L=15pF$			2	
Oscillation Stopping Current	I_{STB}	$\overline{CONT}=V_{SS}$, No load		2	5	μA
Stand-by Current	I_{st}	$\overline{CONT}=\overline{XT}=V_{SS}$, No load Note4)			1	μA
Input Voltage	V_{IH}		1.75		2.5	V
	V_{IL}		0		0.75	V
Output Current	I_{OH}	$V_{OH}=2.25V$	5			mA
	I_{OL}	$V_{OL}=0.25V$	5			mA
Input Current	I_{IN}	$\overline{CONT}=0.8V_{DD}$		7.5	12.0	μA
		$\overline{CONT}=0.2V_{DD}$		1.2	2.0	μA
3-state Off Leakage Current	I_{OZ}	$\overline{CONT}=V_{SS}$, $F_{OUT}=V_{DD}$ or V_{SS}			± 0.1	μA
Feedback Resistance	R_f			255		$K\Omega$
Internal Capacitor	C_g/C_d	$f_{osc}=16MHz$		8/9		pF
Maximum Oscillation Frequency	F_{MAX}		60			MHz
Output Signal Symmetry	SYM	$C_L=15pF, @V_{DD}/2$	45	50	55	%
		$C_L=30pF, @V_{DD}/2$	45	50	55	
Output Signal Rise Time	t_r	$C_L=15pF, 10\%$ to 90%		2.8	5.5	ns
		$C_L=30pF, 10\%$ to 90%		4.5	9	
Output Signal Fall Time	t_f	$C_L=15pF, 90\%$ to 10%		2.8	5.5	ns
		$C_L=30pF, 90\%$ to 10%		4.5	9	
Output Disable time	T_{PLZ}	$C_L=15pF, R_{UP}=10k\Omega$			200	ns
Output Enable Time	T_{PZL}	$C_L=15pF, R_{UP}=10k\Omega$			200	ns

Note4) Excluding input current on \overline{CONT} Terminal.

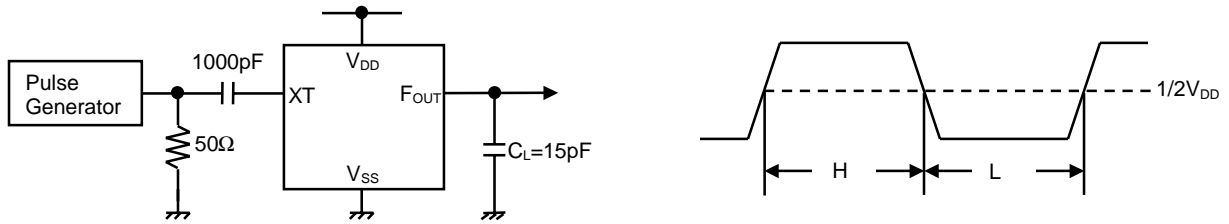
($V_{DD}=3.3V, T_a=25^{\circ}C$)

PARAMETER	SYMBOL	CONDITIONS	MIN	TYP	MAX	UNIT
Operating Current	I_{DD}	A version, $f_{osc}=16MHz, C_L=15pF$			5	mA
		B version, $f_{osc}=16MHz, C_L=15pF$			4	
		C version, $f_{osc}=16MHz, C_L=15pF$			3	
		D version, $f_{osc}=16MHz, C_L=15pF$			3	
		E version, $f_{osc}=16MHz, C_L=15pF$			3	
		F version, $f_{osc}=16MHz, C_L=15pF$			3	
Oscillation Stopping Current	I_{STB}	$CONT=V_{SS}$, No load		2	5	μA
Stand-by Current	I_{st}	$CONT=XT=V_{SS}$, No load Note4)			1	μA
Input Voltage	V_{IH}		2.31		3.3	V
	V_{IL}		0		0.99	V
Output Current	I_{OH}	$V_{OH}=2.97V$	6			mA
	I_{OL}	$V_{OL}=0.33V$	6			mA
Input Current	I_{IN}	$CONT=0.8V_{DD}$		10.0	15.0	μA
		$CONT=0.2V_{DD}$		1.8	3.0	μA
3-state Off Leakage Current	I_{OZ}	$CONT=V_{SS}, F_{OUT}=V_{DD}$ or V_{SS}			± 0.1	μA
Feedback Resistance	R_f			255		$K\Omega$
Internal Capacitor	C_g/C_d	$f_{osc}=16MHz$		8/9		pF
Maximum Oscillation Frequency	F_{MAX}		60			MHz
Output Signal Symmetry	SYM	$C_L=15pF, @V_{DD}/2$	45	50	55	%
		$C_L=30pF, @V_{DD}/2$	45	50	55	
Output Signal Rise Time	t_r	$C_L=15pF, 10\%$ to 90%		2.5	5	ns
		$C_L=30pF, 10\%$ to 90%		4	8	
Output Signal Fall Time	t_f	$C_L=15pF, 90\%$ to 10%		2.5	5	ns
		$C_L=30pF, 90\%$ to 10%		4	8	
Output Disable time	T_{PLZ}	$C_L=15pF, R_{UP}=10k\Omega$			150	ns
Output Enable Time	T_{PZL}	$C_L=15pF, R_{UP}=10k\Omega$			150	ns

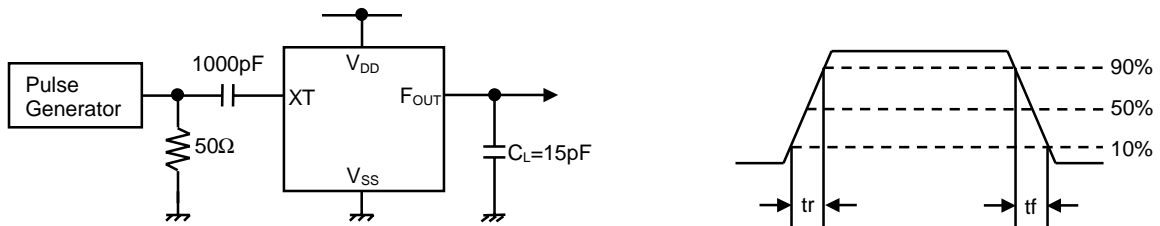
Note4) Excluding input current on CONT Terminal.

MEASUREMENT CIRCUITS

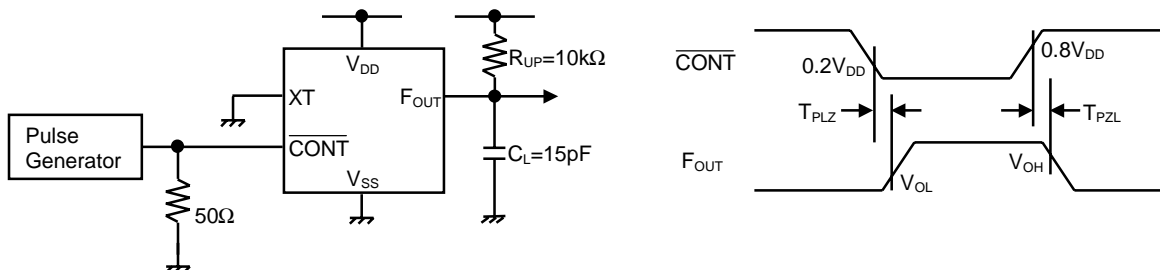
(1) Output Signal Symmetry ($C_L=15\text{pF}$)



(2) Output Signal Rise/Fall Time ($C_L=15\text{pF}$)



(3) Output Disable/Enable Time ($C_L=15\text{pF}, R_{UP}=10\text{k}\Omega$)



[CAUTION]
 The specifications on this data book are only given for information, without any guarantee as regards either mistakes or omissions. The application circuits in this data book are described only to show representative usages of the product and not intended for the guarantee or permission of any right including the industrial rights.