

VOLTAGE DETECTOR with Delay Function

■ GENERAL DESCRIPTION

The NJU7708/09 is a low quiescent current voltage detector with delay function featuring high precision detection voltage.

The detection voltage is fixed internally with an accuracy of 1.0%.

NJU7708 is Nch. Open Drain and NJU7709 of output circuit form is a C-MOS output.

■ PACKAGE OUTLINE

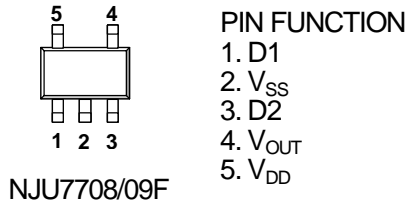


NJU7708/09F

■ FEATURES

- High Precision detection Voltage $\pm 1.0\%$
- Low Quiescent Current 1.3 μ A
- Detection Voltage Range 1.5 ~ 6.0V(0.1V step)
- Adjustable Delay Time (D1/D2 2bit control) 0ms/50ms/100ms/200ms
- Output Circuit Form
 NJU7708: Nch. Open Drain Type
 NJU7709: C-MOS Output Type
- CMOS Technology
- Package Outline SOT-23-5 (MTP5)

■ PIN CONFIGURATION



■ DETECTION VOLTAGERANK LIST

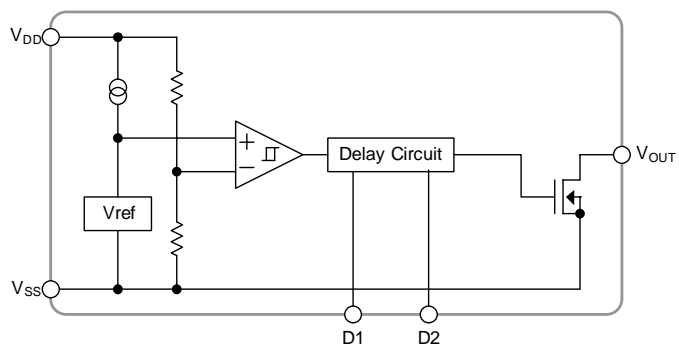
Device Name	V _{DET}
NJU7708/09F15	1.5V
NJU7708/09F27	2.7V
NJU7708/09F42	4.2V
NJU7708/09F06	6.0V

■ Logical Table of Delay Time

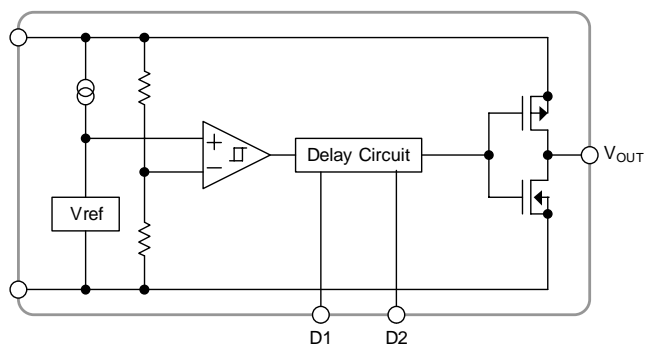
D1	D2	DELAY
H	H	0mS
H	L	50mS
L	H	100mS
L	L	200mS

■ EQUIVALENT CIRCUIT

NJU7708



NJU7709



■ NJU7708

■ ABSOLUTE MAXIMUM RATINGS (Ta=25°C)

PARAMETER	SYMBOL	RATINGS	UNIT
Input Voltage	V _{DD}	+10	V
Output Voltage	V _{OUT}	V _{SS} -0.3 ~ +10	V
Output Current	I _{OUT}	50	mA
Power Dissipation	P _D	200	mW
Operating Temperature	Topr	-40 ~ +85	°C
Storage Temperature	Tstg	-40 ~ +125	°C

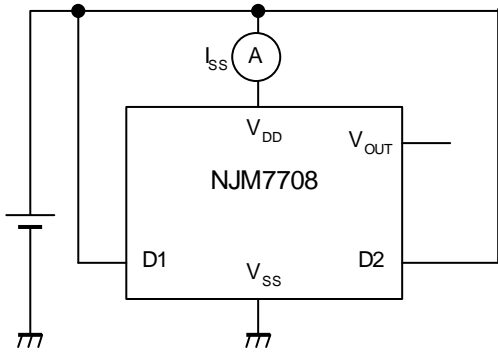
■ ELECTRICAL CHARACTERISTICS (Ta=25°C)

PARAMETER	SYMBOL	TEST CONDITION	MIN.	TYP.	MAX.	UNIT	
Detection Voltage	V _{DET}		-1.0%	–	+1.0%	V	
Hysterisis Voltage	V _{HYS}		70	90	130	V	
Quiescent Current	I _{SS}	V _{DD} =V _{DET} +1V	V _{DET} =1.5V ~ 1.9V Version	–	1.0	1.7	μA
			V _{DET} =2.0V ~ 6.0V Version	–	1.3	2.2	μA
Output Current	I _{OUT}	Nch, V _{DS} =0.5V	V _{DD} =1.2V	0.75	2.0	–	mA
			V _{DD} =2.4V (≥2.7V Version)	4.5	7.0	–	mA
Output Leak Current	I _{LEAK}	V _{DD} =V _{OUT} =9V	–	–	0.1	μA	
Detection Voltage Temperature Coefficient	ΔV _{DET} /ΔTa	Ta=0 ~ +85°C	–	±100	–	ppm/°C	
Delay Time	td	V _{DD} =V _{DET} +1V,	D1=H, D2=H	25	100	300	μS
			D1=H, D2=L	42.5	50	57.5	mS
			D1=L, D2=H	85	100	115	mS
			D1=L, D2=L	170	200	230	mS
Delay Time control Voltage	V _{D1_H} /V _{D2_H}		1.5	–	V _{DD}	V	
	V _{D1_L} /V _{D2_L}		0	–	0.3	V	
Operating Voltage (*note 1)	V _{DD}	R _L =100kΩ	0.7	–	9	V	

(*note 1): The minimum Operating Voltage(V_{OPL}) indicates the same value of the output voltage(V_{OUT}) on condition that V_{OUT} becomes 10% or less of the input voltage(V_{DD}).

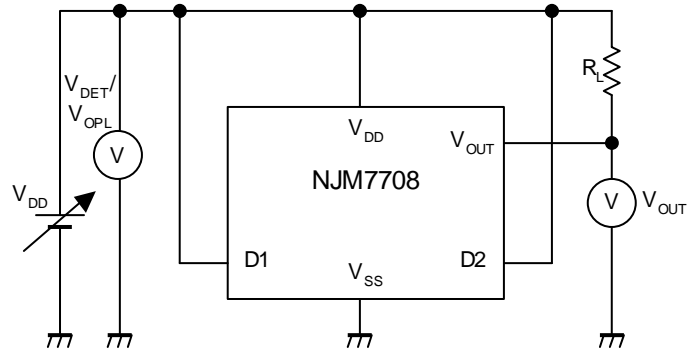
■ TEST CIRCUIT

● Quiescent Current TEST CIRCUIT

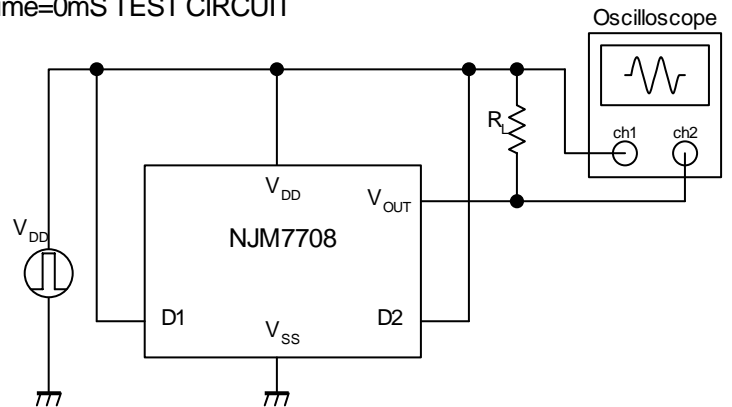
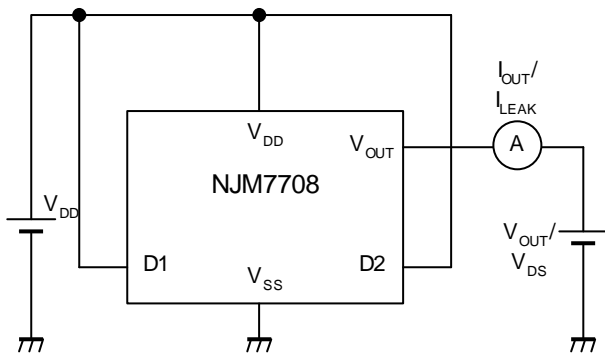


● Detection Voltage

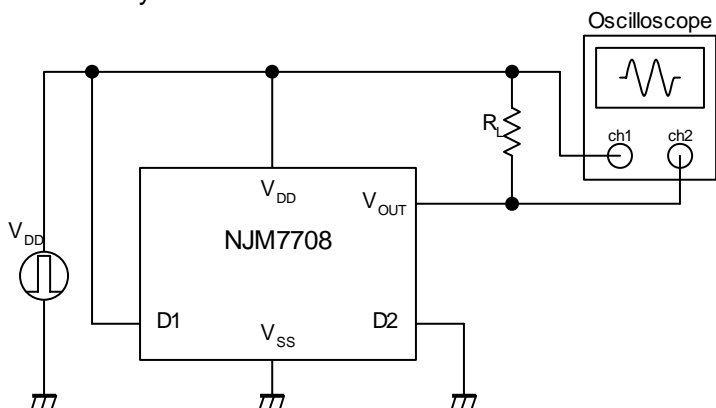
/Minimum Operating Voltage TEST CIRCUIT



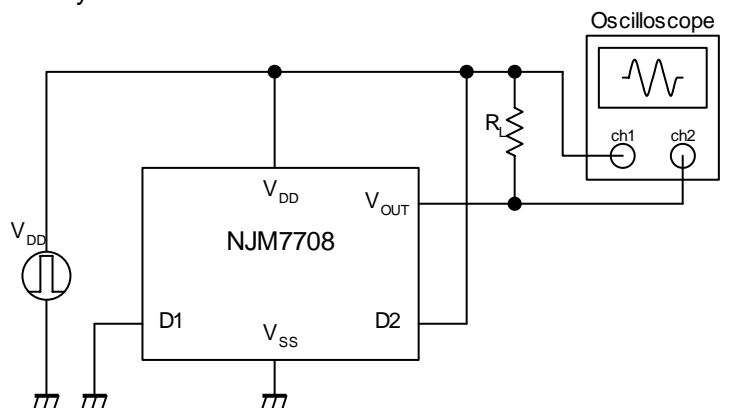
● Leak Current/Output Current TEST CIRCUIT ● Delay Time=0mS TEST CIRCUIT



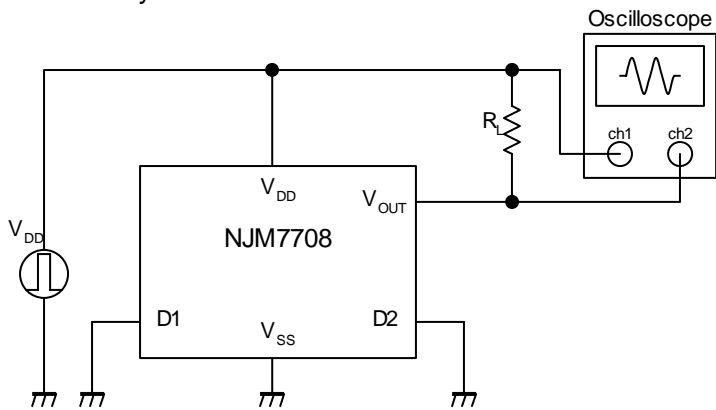
● Delay Time=50mS TEST CIRCUIT



● Delay Time=100mS TEST CIRCUIT

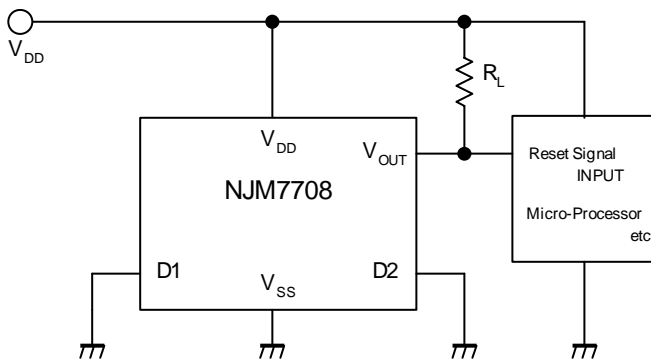


● Delay Time=200mS TEST CIRCUIT

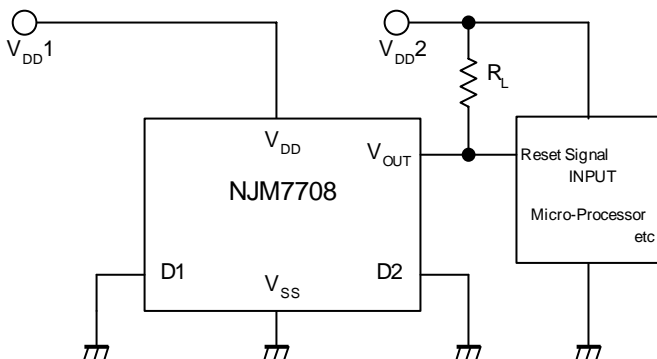


■ TYPICAL APPLICATION

① Power Supply Voltage Supervisory Circuit



② Power Supply Voltage Supervisory Circuit (Another Power Supply to Micro-Processor)



NJU7708/09

■ NJU7709

■ ABSOLUTE MAXIMUM RATINGS

(Ta=25°C)

PARAMETER	SYMBOL	RATINGS	UNIT
Input Voltage	V _{DD}	+10	V
Output Voltage	V _{OUT}	V _{SS} -0.3 ~ +10	V
Output Current	I _{OUT}	50	mA
Power Dissipation	P _D	200	mW
Operating Temperature	Topr	-40 ~ +85	°C
Storage Temperature	Tstg	-40 ~ +125	°C

■ ELECTRICAL CHARACTERISTICS

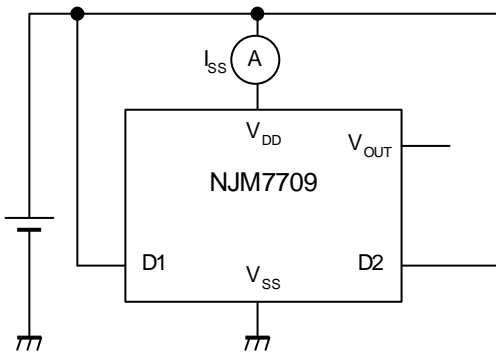
(Ta=25°C)

PARAMETER	SYMBOL	TEST CONDITION	MIN.	TYP.	MAX.	UNIT	
Detection Voltage	V _{DET}		-1.0%	-	+1.0%	V	
Hysteresis Voltage	V _{HYS}		70	90	130	V	
Quiescent Current	I _{SS}	V _{DD} =V _{DET} +1V	V _{DET} =1.5V ~ 1.9V Version	-	1.0	1.7	μA
			V _{DET} =2.0V ~ 6.0V Version	-	1.3	2.2	μA
Output Current	I _{OUT}	Nch, V _{DS} =0.5V	V _{DD} =1.2V	0.75	2.0	-	mA
			V _{DD} =2.4V(≥2.7V Version)	4.0	7.0	-	mA
		Pch, V _{DS} =0.5V	V _{DD} =4.8V(≤3.9V Version)	2.0	3.5	-	mA
			V _{DD} =6.0V(4.0V~5.6V Version)	2.5	4.0	-	mA
		V _{DD} =8.4V (≥5.7V Version)	3.0	5.0	-	mA	
Detection Voltage Temperature Coefficient	ΔV _{DET} /ΔTa	Ta=0 ~ +85°C	-	±100	-	ppm/°C	
Delay Time	td	V _{DD} =V _{DET} +1V,	D1=H, D2=H	25	100	300	μS
			D1=H, D2=L	42.5	50	57.5	mS
			D1=L, D2=H	85	100	115	mS
			D1=L, D2=L	170	200	230	mS
Delay Time control Voltage	V _{D1_H} /V _{D2_H}		1.5	-	V _{DD}	V	
	V _{D1_L} /V _{D2_L}		0	-	0.3	V	
Operating Voltage (*note 2)	V _{DD}	R _L =100kΩ	0.8	-	9	V	

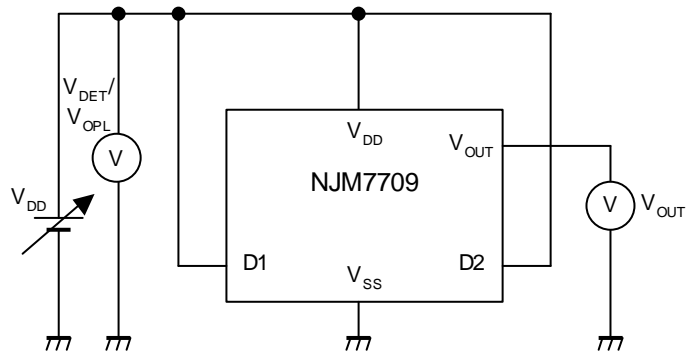
(*note 2): The minimum Operating Voltage(V_{OPL}) indicates the same value of the output voltage(V_{OUT}) on condition that V_{OUT} becomes 10% or less of the input voltage(V_{DD}).

■ TEST CIRCUIT

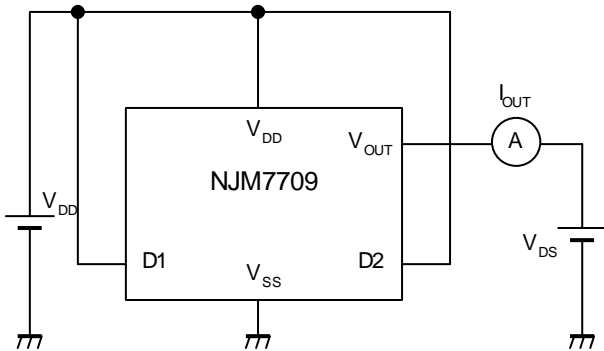
● Quiescent Current TEST CIRCUIT



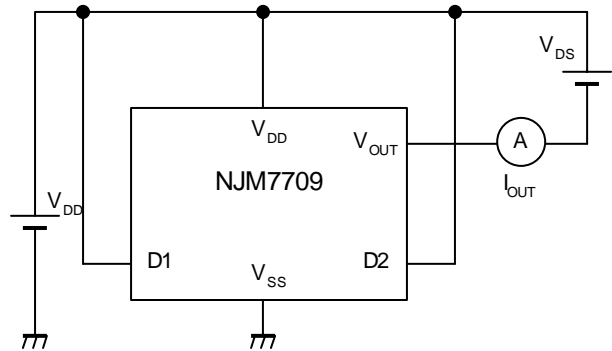
● Detection Voltage TEST CIRCUIT



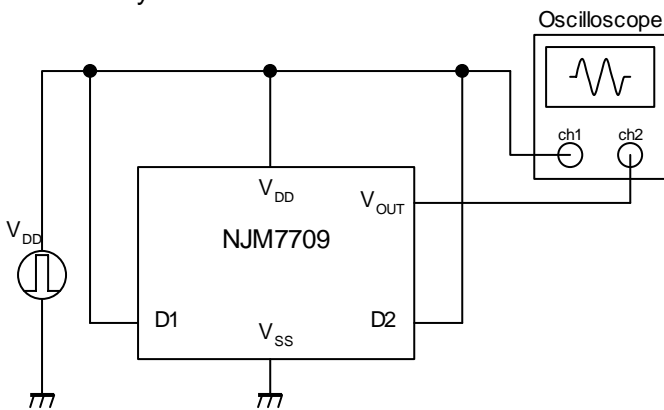
● Nch Output Current TEST CIRCUIT



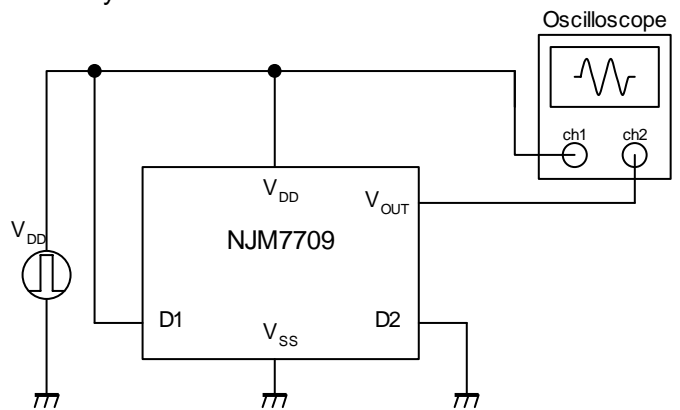
● Pch Output Current TEST CIRCUIT



● Delay Time=0mS TEST CIRCUIT

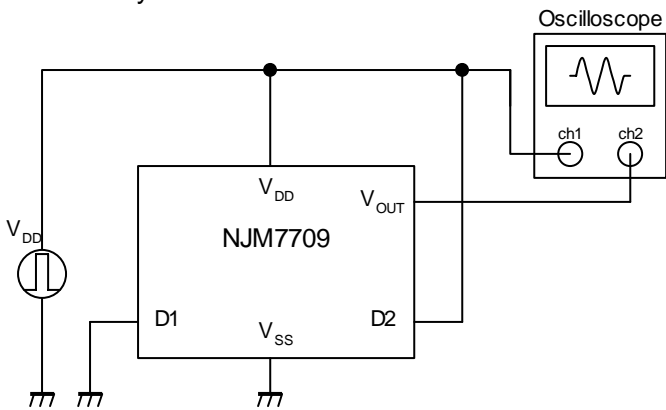


● Delay Time=50mS TEST CIRCUIT

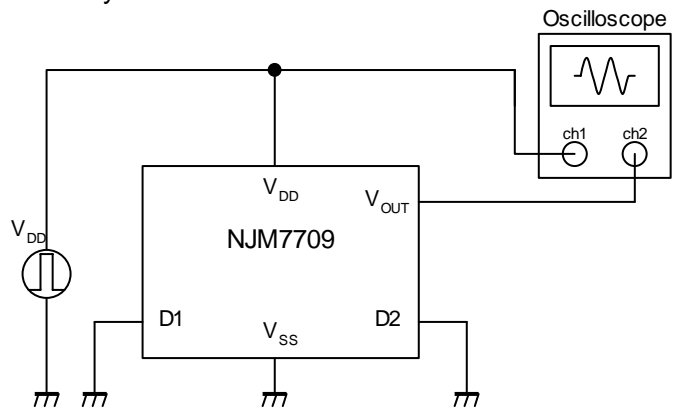


NJU7708/09

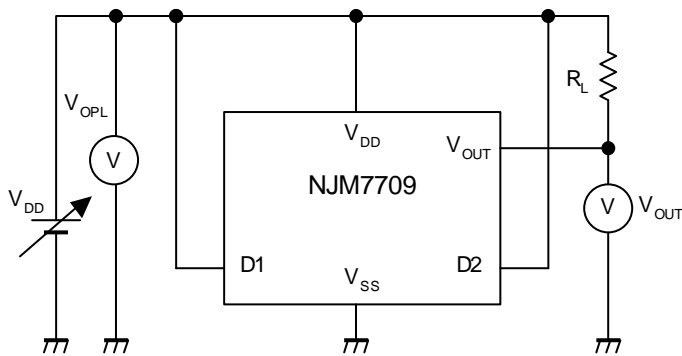
● Delay Time=100mS TEST CIRCUIT



● Delay Time=200mS TEST CIRCUIT

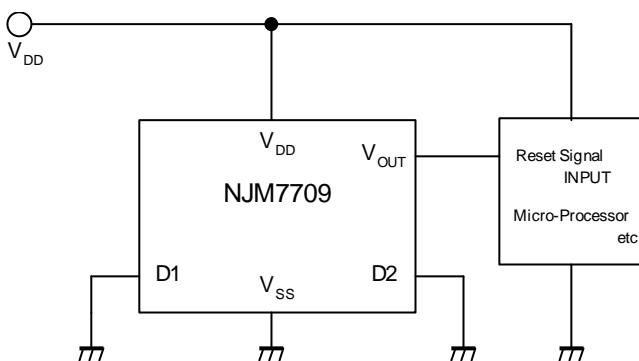


● Minimum Operating Voltage TEST CIRCUIT



■ TYPICAL APPLICATION

① Power Supply Voltage Supervisory Circuit



[CAUTION]

The specifications on this databook are only given for information, without any guarantee as regards either mistakes or omissions. The application circuits in this databook are described only to show representative usages of the product and not intended for the guarantee or permission of any right including the industrial rights.