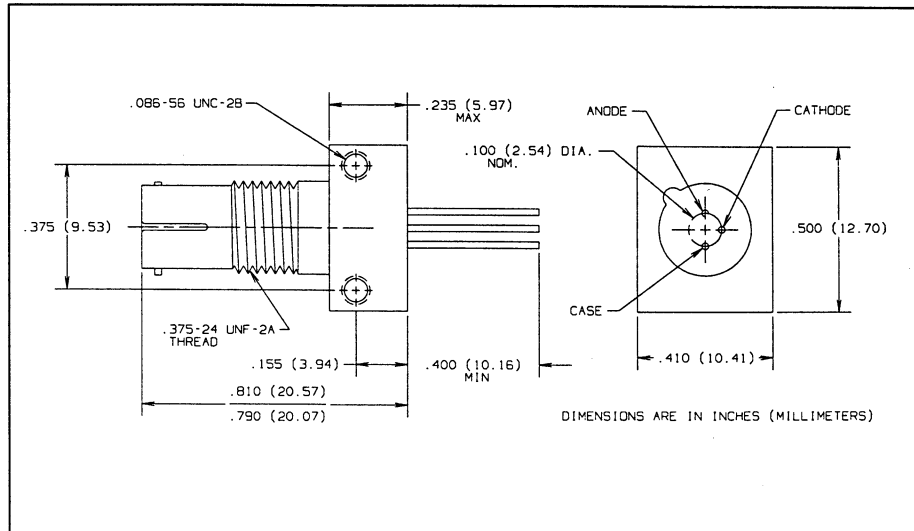
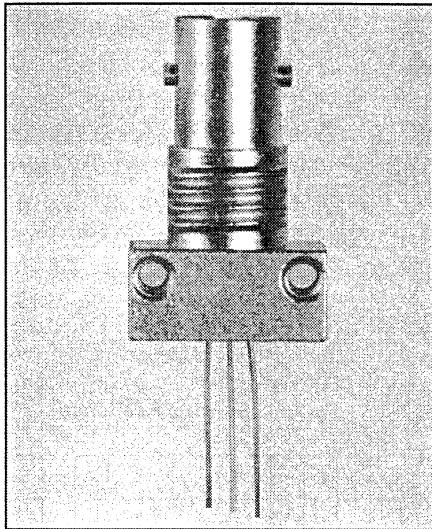


Fiber Optic High Speed PIN Photodiode Type OPF432

in ST* Receptacle



Features

- Component pre-mounted and ready for use
- High speed, low capacitance
- Pre-tested with fiber to assure performance
- Popular ST style receptacle
- Electrically isolated from case

Description

The OPF432 consists of a hermetic PIN photodiode pre-mounted and aligned in an ST receptacle. This configuration is designed for PC board or panel mounting. Includes lock washer and jam nut, two 2-56 screws, and dust cap.

The PIN Photodiodes are designed to interface with multimode optical fibers from 50/125 to 100/140 microns.

*ST is a registered trademark of AT&T

Absolute Maximum Ratings ($T_A = 25^\circ\text{C}$ unless otherwise noted)

Reverse Voltage	100 VDC
Continuous Power Dissipation	200 mW ⁽¹⁾
Storage Temperature Range	-55°C to $+125^\circ\text{C}$
Operating Temperature Range	-40°C to $+100^\circ\text{C}$
Lead Soldering Temperature [1/16 inch (1.6 mm) from case for 5 sec. with soldering iron]	240°C ⁽²⁾

Notes:

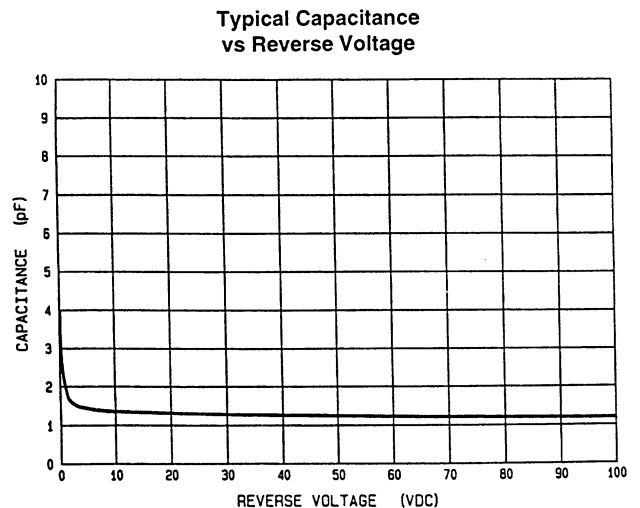
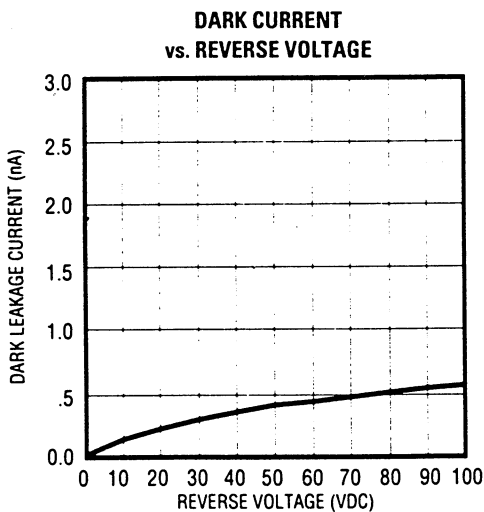
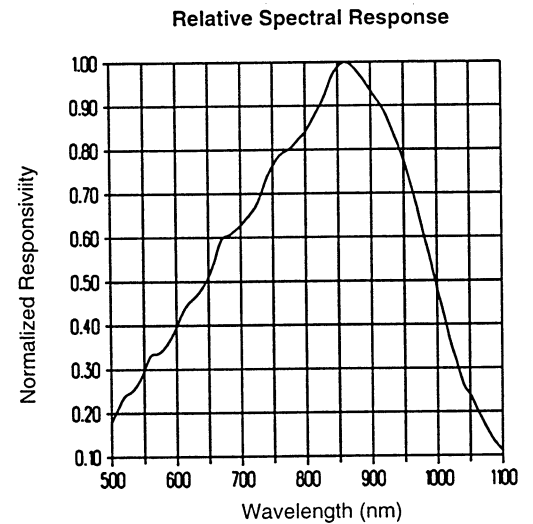
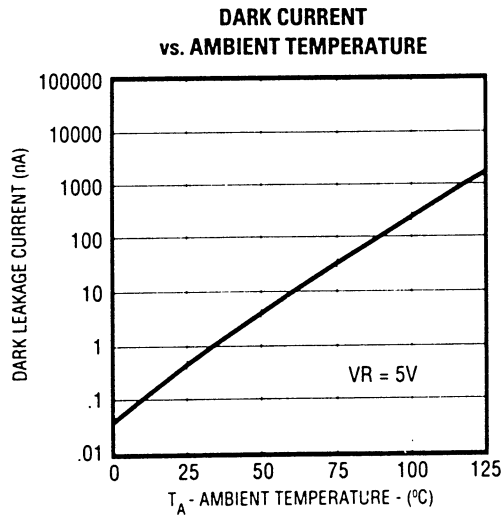
- (1) Derate linearly @ $2.0\text{ mW}/^\circ\text{C}$ above 25°C .
- (2) RMA flux is recommended. Duration can be extended to 10 sec. max when flow soldering.
- (3) Test @ $V_R = 5\text{ V}$ with 50/125 micron, 0.20 N.A. fiber, @ $10\ \mu\text{W}$ optical power @ 850 nm. Responsivity levels apply to 50 μm , 62.5 μm and 100 μm core optical fibers.

Type OPF432

Electrical Characteristics ($T_A = 25^\circ\text{C}$ unless otherwise noted)

SYMBOL	PARAMETER	MIN	TYP	MAX	UNITS	TEST CONDITIONS
R	Flux Responsivity	0.45	0.55		A/W	$V_R = 5.0\text{ V}^{(3)}$
I_D	Dark Current		0.1	5.0	nA	$V_R = 5.0\text{ V}$
λ_p	Peak Response Wavelength		860		nm	
t_r	Output Rise Time		0.6		ns	$V_R = 50\text{ V}, R_L = 50\Omega, 10\%-90\%$
t_r	Output Rise Time		1.0		ns	$V_R = 15\text{ V}, R_L = 50\Omega, 10\%-90\%$
t_r	Output Rise Time		2.0		ns	$V_R = 5.0\text{ V}, R_L = 50\Omega, 10\%-90\%$
C_T	Total Capacitance		1.5	2.0	pF	$V_R = 5.0\text{ V}$

Typical Performance Curves



FIBER OPTIC
COMPONENTS