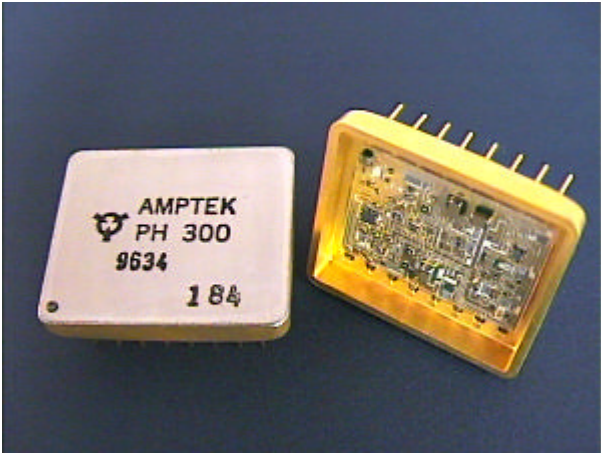


PEAK HOLD DETECTOR

PH300



STATE-OF-THE-ART PERFORMANCE

- High Speed (250 ns rise time)
- Extremely Low Droop Rate (10 nV/μs)
- Low Power (< 36 mW)
- Ramp & Dump Hold Discharge

Model PH300 is a high performance, thin film hybrid, peak-hold unit, designed to track and hold the peak of analog input signals with rise times (10% to 90% of V_{max}) as short as 250 ns. The unit also has the lowest Droop Rate of the held voltage available and consumes less than 36 mW of power in quiescent mode.

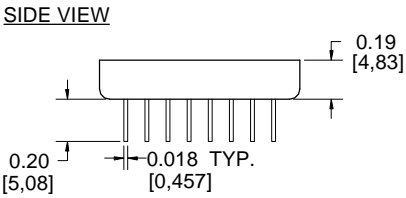
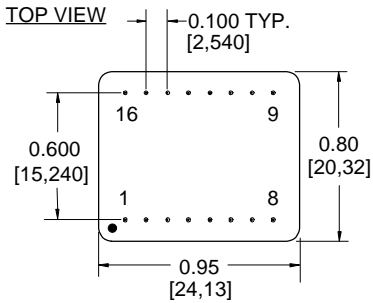
While this unit was designed for use in satellite instrumentation, the following unique characteristics make it equally useful in a broad range of space, laboratory and commercial applications.

FEATURES

- Operates from -55 to +125 °C
- Small size (16 pin hybrid DIP)
- Very low power (36 mW quiescent)
- High speed
- Low droop rate
- Ramp discharge
- Fast reset
- Build-in linear gate
- Internal hold capacitor
- High reliability screening
- One year warranty

APPLICATIONS

- Aerospace
- Portable instrumentation
- Nuclear monitoring
- Particle, x-ray and gamma ray detection
- Imaging
- Research experiments
- Medical and nuclear electronics
- Electro-optical systems



DIMENSIONS: inches [mm]

AMPTEK, INC. 6 DE ANGELO DRIVE, BEDFORD, MA 01730 U.S.A.

TEL: +1 (617) 275-2242 FAX: +1 (617) 275-3470 email: sales@amptek.com http://www.amptek.com

SPECIFICATIONS

INPUT CHARACTERISTICS

SIGNAL - Analog

Range 0 to ($V^+ - 1.5V$)

Input impedance > 1 k Ω

Rise time (10% - 90%) 250 ns (min)

LINEAR GATE CONTROL - Digital

Logic level TTL

Gate open HIGH

Gate closed LOW

Gate turn on/off 40 ns (60 ns max)

RESET CONTROL - Digital

Ramp slew rate 5 V/ μ s to 0.001 V/ μ s

Ramp control..... TTL

Ramp active LOW

Fast reset < 800 ns (*dump mode*)

Dump control TTL

Dump active LOW

OUTPUT CHARACTERISTICS

ANALOG

Range-load >5 k Ω 0 to ($V^+ - 1.5V$) (typical)

Output slew rate 30 V/ μ s

Drop rate < 1 μ V/ μ s (-55 to +85 $^{\circ}$ C)

..... < 10 μ V/ μ s (+85 to +125 $^{\circ}$ C)

..... < 10 nV/ μ s (1 nV/ μ s typ @ +25 $^{\circ}$ C)

Linearity \pm 0.01% (typical)

DC offset \pm 2 mV (max)

DIGITAL PEAK DETECT

Logic level TTL

$V_{in} > V_{out}$ HIGH

$V_{in} < V_{out}$ LOW

Propagation delay < 500 ns (typical)

HOLD CAPACITOR

Internal..... 470 pF \pm 5%

External..... 50 pF - 1000 pF (optional)

ENVIRONMENT

CASE TEMPERATURE

Operating -55 to +125 $^{\circ}$ C

Storage -55 to +150 $^{\circ}$ C

RADIATION

Hardness 10⁵ rad(Si)

..... (optional with PH300RH only)

SCREENING

Amptek High Reliability

POWER SUPPLY

Quiescent power..... < 36 mW @ -5V/+10V

ANALOG

V^+ +5 V to +12 V

V^- -5 V to -6 V

Quiescent I^+ < 2.4 mA (-55 to +125 $^{\circ}$ C)

Quiescent I^- < 2.4 mA (-55 to +125 $^{\circ}$ C)

DIGITAL

V_d +5 V

Quiescent I_d < 0.01 mA (-55 to +125 $^{\circ}$ C)

PACKAGE

Hermetic, 16 pin hybrid, 600 mil DIP

PIN DESCRIPTION

PIN	FUNCTION
1	IN [0 to ($V^+ - 1.5V$)]
2	V^- [-5 V to -6 V]
3	RCEXT
4	HRES
5	HCAP
6	DSCHG
7	ISET
8	GND
9	DUMP [TTL control, active LOW]
10	RAMP [TTL control, active LOW]
11	GATE [TTL input, open HIGH]
12	PKDT [TTL logic level]
13	V_d [+5 V]
14	V^+ [+5 V to +12 V]
15	COMP
16	OUT [0 to ($V^+ - 1.5V$) (typical)]

PIN 1 IN is the analog input of the PH300. This input accepts a positive signal. The input signal should not be driven greater than the positive analog power supply, or less than -0.5 V. Schottky diode input protection is recommended.

PIN 2 V^- (-5 V to -6 V)

PIN 3 RCEXT is a node that allows connection of an external hold resistor and hold capacitor. When internal hold components are used, RCEXT is left unconnected.

PIN 4 HRES is the node of the internal hold resistor.

PIN 5 HCAP is the node of the internal hold capacitor. This node is normally connected to HRES and DSCHG.

PIN 6 DSCHG is a node of the current generator used to reset the hold capacitor of the PH300. The RAMP reset current is set by an external current source or an external resistor. This node is in a high impedance state when PH300 is in *hold mode*. Normally this node is connected to the HCAP node.

PIN 7 ISET is a node of the current mirror that sets the discharge current. This node sinks positive current. The discharge current is twice the current at this node. An external resistor R can be connected between ISET and ground. In this case the reset current is approximately set to

$$2 \cdot \frac{V^- + 0.6V}{R + 500\Omega}$$

NOTE! To ensure proper PH300 *tracking mode* operation, a reset current must be set regardless of the reset scheme (RAMP or DUMP) used to discharge the hold capacitor.

PIN 8 GND

PIN 9 DUMP is a TTL compatible signal used for fast reset of the PH300. This signal must be used only in conjunction with the RAMP signal. The DUMP signal can be active only when RAMP is active. A LOW state of this signal causes the discharge current to peak up to 20 mA, causing fast discharge of the hold capacitor. The duration of the DUMP signal should be kept as short as possible, since the high reset current increases substantially the power consumption of the PH300. A fixed duration of 1 μ s usually is sufficient to completely reset the

built in hold capacitor. The PKDT signal can be used as an indicator for the discharge of the hold capacitor and may provide a function to control the duration of the DUMP signal.

PIN 10 RAMP is a TTL compatible input that controls the linear discharge of the PH300. When this signal is LOW, the DSCHG node sinks current that resets the hold capacitor. Since the reset current is constant, the output of PH300 decays linearly.

PIN 11 GATE is a TTL compatible logic input that controls the linear gate of the PH300. When GATE is in an active HIGH state, the linear gate is open and the error amplifier of the PH300 can sense the input signal. When GATE is inactive, the error amplifier input is tied to ground.

PIN 12 PKDT is an TTL output that indicates the state of the PH300. When this signal is LOW, the PH300 is in a *hold mode*.

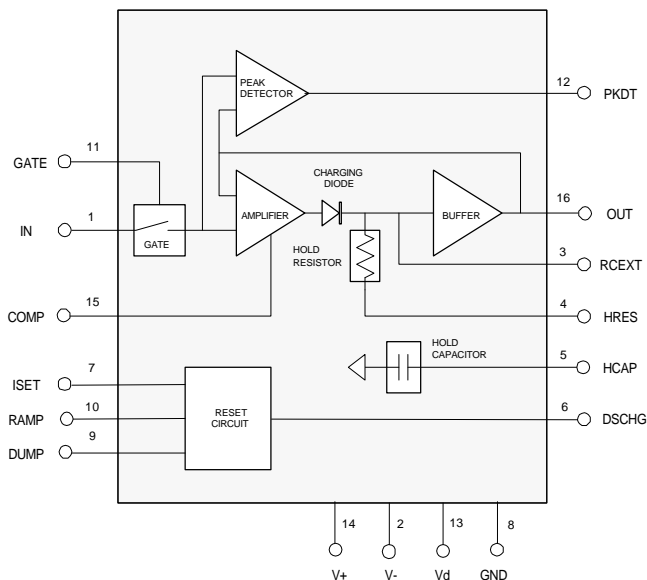
PIN 13 V_d (+5 V)

PIN 14 V^+ (+5 V to +12 V)

PIN 15 COMP is a node for frequency compensation of the PH300 when an external hold capacitor is used. In this case a resistor between 20 and 100 ohms can be used to reduce output signal oscillations. This resistor must be connected between COMP and V^+ . When the internal hold capacitor is used, COMP must be connected to V^+ .

PIN 16 OUT is the analog output of the PH300. This output is protected for short circuits to ground or any voltage between ground and the positive analog power supply. **WARNING!** Shorting this output to any negative voltage may destroy the PH300 circuit. This output can drive capacitive loads up to 50 pf (typical). For higher capacitive loads, use a resistor of 50 to 100 ohms in series with OUT.

FUNCTIONAL DIAGRAM AND PRINCIPLE OF OPERATION



The PH300 is a peak-hold device, designed to track an analog input pulse and keep the maximum amplitude as a peak voltage on a hold capacitor. Major functional elements are identified in the functional diagram above. An innovative boot-strap circuit in the input stage of the output buffer amplifier, minimizes the droop error which occurs during periods of long peak-hold duration.

Inputs to the **IN** terminal are gated through a linear gate (gate input), which is controlled by a TTL compatible logic signal. When the gate is open (gate high), the input signal is sensed by the error amplifier. When the gate is closed (gate low), the input to the error amplifier is grounded and the input signal does not have any effect on the output of PH300.

During the rise time of the input signal, the hold capacitor is charged through a charging diode and a hold resistor. For the PH300, this mode of operation is referred to as the *charging mode*. The device goes into *hold mode* as soon as the input reaches V_{max} and starts to decay. This state can be terminated by discharging the hold capacitor. When the circuitry to accomplish this is enabled, the PH300 is placed in *discharge mode*. A special case of the *discharge mode* is the *tracking mode*. Additional information on each of these operational modes follows.

CHARGING MODE

The hold capacitor is charged during the rise time of the input signal. The rise time of the input pulses can be as short as 250 ns. When the PH300 is in *charging mode*, negative feedback is applied to the amplifier through the high impedance output buffer. Under this condition, the output voltage follows the input signal and the peak detector logic output is in the *inactive state*. The feedback circuit brakes immediately after the input goes through a maximum level and starts decaying. The PH300 then enters *hold mode*.

HOLD MODE

In this mode, the charging diode is reverse biased and the voltage across the hold capacitor is held equal to V_{max} . The peak-detector logic output is in the active state. The leakage currents of the components connected to the hold capacitor causes it to discharge. The rate of this discharge is the droop rate of the PH300.

DISCHARGE MODE

The hold capacitor could be intentionally discharged by enabling the reset circuit within the PH300. Two types of reset are possible. They are: (i) ramp or linear reset and (ii) dump or fast reset.

In *ramp discharge mode*, the hold capacitor is discharged through a constant current draw, which is set with an external resistor or by an external current source. Constant current discharge results in a linear decrease of the held voltage. This operating mode is used in Wilkinson type analog to digital converters.

In *fast discharge mode*, the hold capacitor is discharged through a large current draw for a short period of time. The frequency and duration of this mode of operation determines the upper limit of power consumption for the device.

TRACKING MODE

Negative feedback to the amplifier could become active (and correspondingly the peak-detector logic output goes to the *inactive state*) in *discharge mode* operation, if the hold capacitor voltage becomes less than or equal to the voltage at the amplifier input. Therefore, if the discharge rate of the hold capacitor is higher than the decay rate of the input signal, the output of the PH300 will follow the input even when the signal is decaying. This mode of PH300 operation is referred to as the *tracking mode*.

APPLICATION NOTES

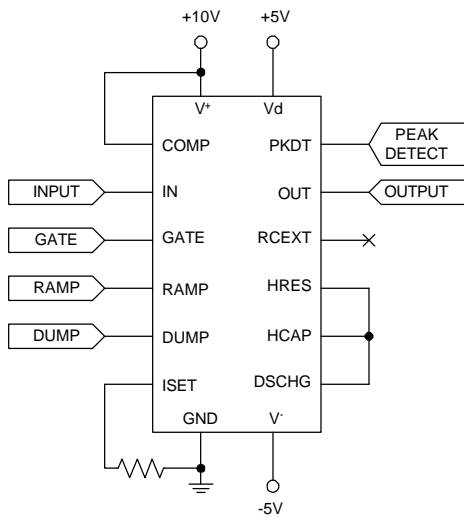


Figure 1. - PH300 typical wiring diagram.

Figure 1 shows a typical wiring diagram of PH300 using the internal hold and reset components. The board design should prevent any possible paths for leakage currents to the DSCHG, HCAP, HRES and RCEXT nodes.

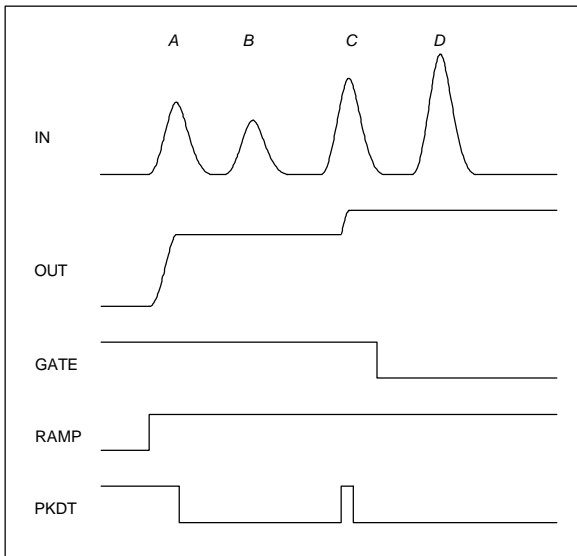


Figure 2. - Gate function of PH300.

Figure 2 shows the use of the linear gate. Four pulses marked A, B, C, and D are applied to the input of PH300. The linear gate is open for the first three pulses and closed for the last pulse, D. The PH300 is not discharged between the pulses. Only the peaks of the pulses A and C will be detected. Pulse B passes through the linear gate. However, since its amplitude is less than the held amplitude of pulse A, there is no change of the PH300 output. Pulse D does not affect the held peak voltage of pulse C because the linear gate is closed.

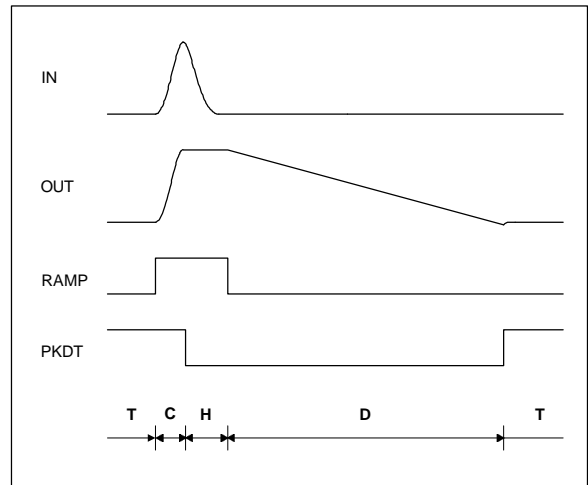


Figure 3. - Timing diagram illustrating RAMP reset of PH300.

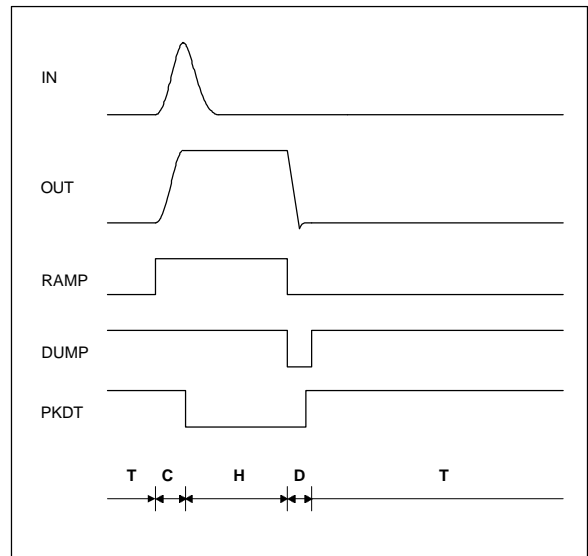


Figure 4. - Timing diagram illustrating DUMP reset of PH300.

Figures 3 and 4 illustrate the modes of operation of the PH300 with RAMP and DUMP reset of the hold capacitor. The linear gate is open. The modes of operation are indicated with bold characters as follows:

C = charging mode

D = discharge mode

H = hold mode

T = tracking mode