



DRAFT SPEC

### Low Capacitance TVS Diode Array

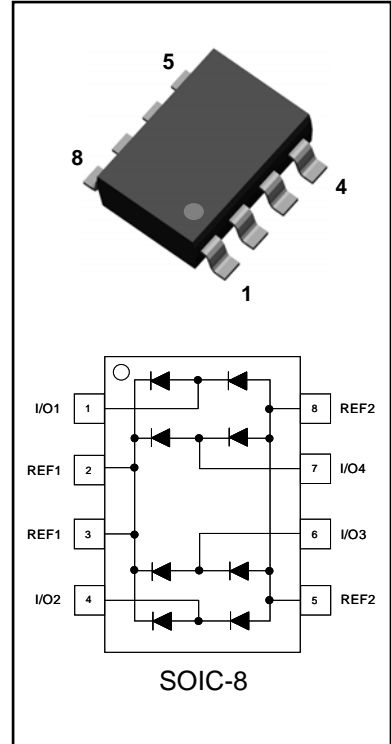
This diode array is configured to protect up to four data transmission lines acting as a line terminator, minimizing overshoot and undershoot conditions due to bus impedance as well as protect against over-voltage events as electrostatic discharges.

#### SPECIFICATION FEATURES

- DC Forward Current Max of 200mA
- Maximum Capacitance of 5.0pF at 0Vdc 1MHz Line-to-Ground
- Maximum Leakage Current of 0.5µA @ 100V
- Repetitive Peak Inverse Voltage of 200V
- Industry Standard SMT Package SOIC-8
- IEC61000-4-2, IEC61000-4-4 and IEC61000-4-5 Full Compliance
- 100% Tin Matte finish (LEAD-FREE PRODUCT)

#### APPLICATIONS

- Set Top Box Input/Output lines
- LAN/WLAN Access Point terminals
- Video Signal line protection
- I<sup>2</sup>C Bus Protection



#### MAXIMUM RATINGS $T_j = 25^{\circ}\text{C}$ Unless otherwise noted

Rating	Symbol	Value	Units
Repetitive Peak Inverse Voltage	$V_{RRM}$	200	V
Continuous Reverse Voltage	$V_R$	100	V
Peak Pulse Current (8/20µs Waveform)	$I_{PP}$	24	A
Average Rectified Forward Current, Per Diode	$I_{F(AV)}$	200	mA
Power Dissipation, $T_j = 85^{\circ}\text{C}$ , $I_F = 200\text{mA}$ , Per Diode	$P_D$	300	mW
Operating Junction Temperature Range	$T_j$	-55 to +150	$^{\circ}\text{C}$
Storage Temperature Range	$T_{stg}$	-55 to +150	$^{\circ}\text{C}$
Soldering Temperature, $t_{max} = 10\text{ s}$	$T_L$	260	$^{\circ}\text{C}$
Thermal Resistance, Junction to Ambient	$R_{\theta JA}$	200	$^{\circ}\text{C/W}$



**ELECTRICAL CHARACTERISTICS** Tj = 25°C unless otherwise noted

DRAFT SPEC

Parameter	Symbol	Conditions	Min	Typ	Max	Units
Repetitive Peak Inverse Voltage	$V_{RRM}$				200	V
Breakdown Voltage	$V_{BR}$	$I_{BR} = 10\mu A$	150			V
Forward Voltage (8/20µs Pulse)	$V_F$	$I_{PP} = 1A$			0.95	V
		$I_{PP} = 10A$			2.0	V
Reverse Leakage Current	$I_R$	$V_R = 100V$			0.5	µA
Off-State Junction Capacitance	$C_J$	0Vdc Bias, f =1 MHz Between I/O pins and REF2 (Ground)			5	pF
		0Vdc Bias, f =1 MHz Between I/O pins		2.2		pF



PACKAGE DIMENSIONS AND SUGGESTED PAD LAYOUT

DRAFT SPEC

