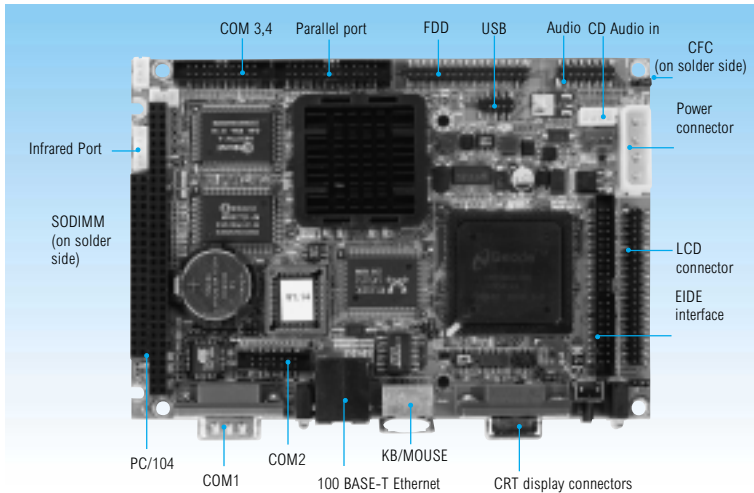


PCM-5825



NS Geode SBC with CPU, 4 COMs, Audio, VGA/LCD and Ethernet



Features

- Compact and powerful
- 10/100 BASE-T Ethernet
- 18-bit TFT LCD interface
- 4 COM ports share one IRQ
- AC '97 V 2.0 Audio
- Less than 8 watts of power consumption



System

CPU	On-board NS Geode processor GX1 300 MHz processor
System Memory	SDRAM SODIMM x 1, Max. 256 MB
System Chipset	NS CX 5530
BIOS	AWARD 256 KB Flash BIOS
SSD	Supports CompactFlash™ card
Watchdog Timer	1 - 62 sec, 62 level timer intervals, system reset or IRQ11
Expansion Interface	PC/104
Battery	Lithium 3 V/196 mAH

Display

Chipset	NS CX 5530
Memory Size	1-4 MB UMA shared memory
Resolution	Up to 1024 x 768 @ 24 bpp non-interlaced CRT and 1024x 768 @ 18 bpp TFT LCD display. (supports 3.3V LCD)
LCD Interface	18-bit TTL for TFT LCD only

I/O

MIO	1 x EIDE (Ultra DMA33), 1 x FDD, 1 x K/B, 1 x Mouse, 1 x RS-232/422/485, 1 x RS-232, 1 x LPT
IrDA	115 Kbps, IrDA 1.0 compliant
Audio	NS CX 5530, AC'97 2.0 compliant
USB	2 USB ports, USB 1.0 compliant

Mechanical and Environmental

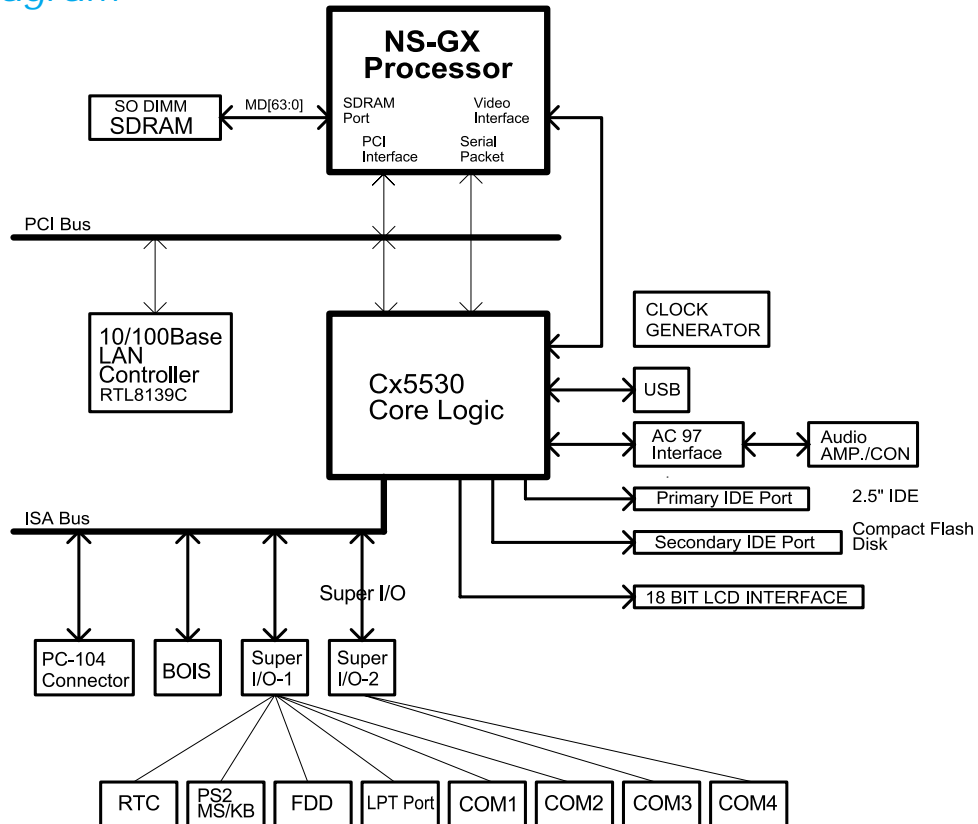
Dimensions (L x W)	145 mm x 102 mm (5.7" x 4")
Power supply Voltage	+5V ±5%, Max. : 4A @ +5V Typical: 1.5A @ +5V (with GX1-300 CPU & 64 MB DRAM)
Operating temperature	0 - 60° C (32-140° F)
Operating Humidity	0% - 90% Relative Humidity, noncondensing
Weight	0.75 kg (weight of total package)

Ethernet

Chipset	RealTek 8139C
Interface	IEEE 802.3u 100 BASE-T Fast Ethernet compatible Built-in boot ROM in Flash BIOS

PCM-5825

Board Diagram



Packing List

• 1 PCM-5825 SBC	
• 1 Mini Jumper pack [conts.: 10pcs]	(p/n: 9689000002)
• 1 Keyboard & mouse cable 6P-6P-6P	(p/n: 1700060202)
• 1 Audio cable for PCM-5820/5825	(p/n: 1700160160)
• 1 Cable for LPT port	(p/n: 1700260250)
• 1 COM2 cable	(p/n: 1701140201)
• 1 COM3/COM4 cable	(p/n: 1701200220)
• 1 FDD cable	(p/n: 1701340603)
• 1 HDD cable	(p/n: 1701440351)
• 1 USB cable	(p/n: 1703100260)
• Start up manual	
• Utility CD	

Ordering Information

Standard	
PCM-5825-G0A2	NS Geode SBC with GX1-300 processor, 4 COMs, Audio, VGA/LCD and Ethernet
Optional	
MBPC-200-5825	MicroBox 3.5" Biscuit SBC chassis for PCM-5825
PS-50A	50W AC power supply For MBPC-200

Biscuit Single Board Computers

Note: All specifications are subject to change without notice.