



1/3 Duty General Purpose LCD Driver IC

PT6523

DESCRIPTION

PT6523 is an LCD Driver IC which can drive up to 156 segments. It can be used for frequency display in microprocessor-controlled radio receiver and in other display applications. PT6523 supports both 1/2 bias, 1/3 duty and 1/3 duty, 1/3 bias. Pin assignments and application circuit are optimized for easy PCB layout and cost saving advantages.

FEATURES

- Up to 156 Segments Outputs
- 1/3 Duty - 1/2 Bias and 1/3 Duty - 1/3 Bias Drive Techniques
- Power Saving Mode and all Segments OFF Function
- Direct Display of Display Data without using a Decoder
- RC Oscillation Circuit
- Power Supply Voltage: 4.5 to 6V
- LCD Drive Bias Voltage can be provided internally or externally
- Available in 64 pins, QFP or LQFP Package

APPLICATIONS

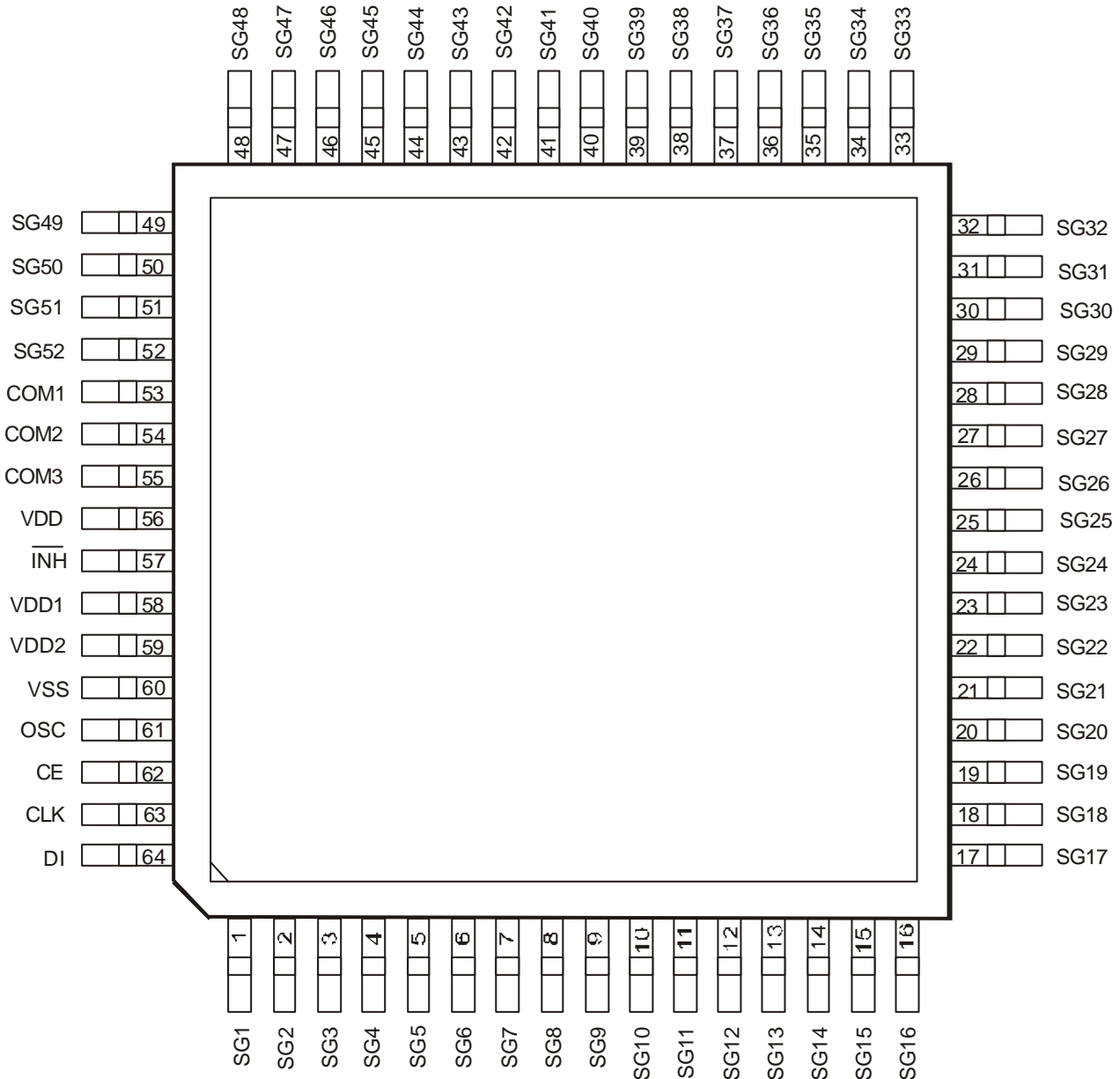
- Electronic Dictionary / Translator
- P.O.S.
- Caller ID
- Pager
- Mini Compo
- Electronic Equipment with LCD Display



1/3 Duty General Purpose LCD Driver IC

PT6523

PIN CONFIGURATION



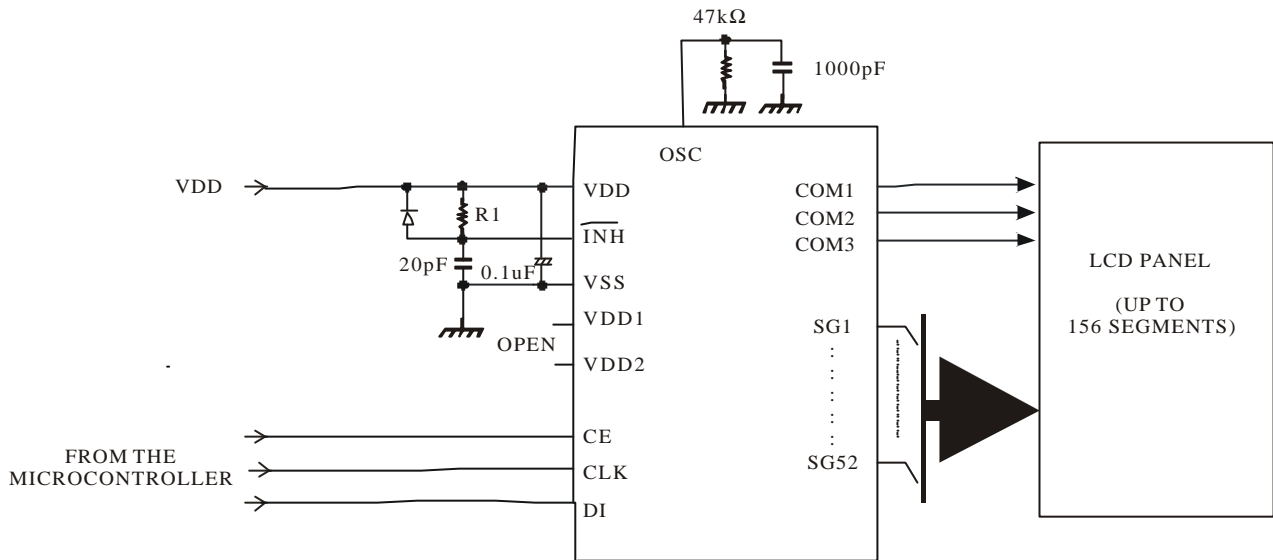


1/3 Duty General Purpose LCD Driver IC

PT6523

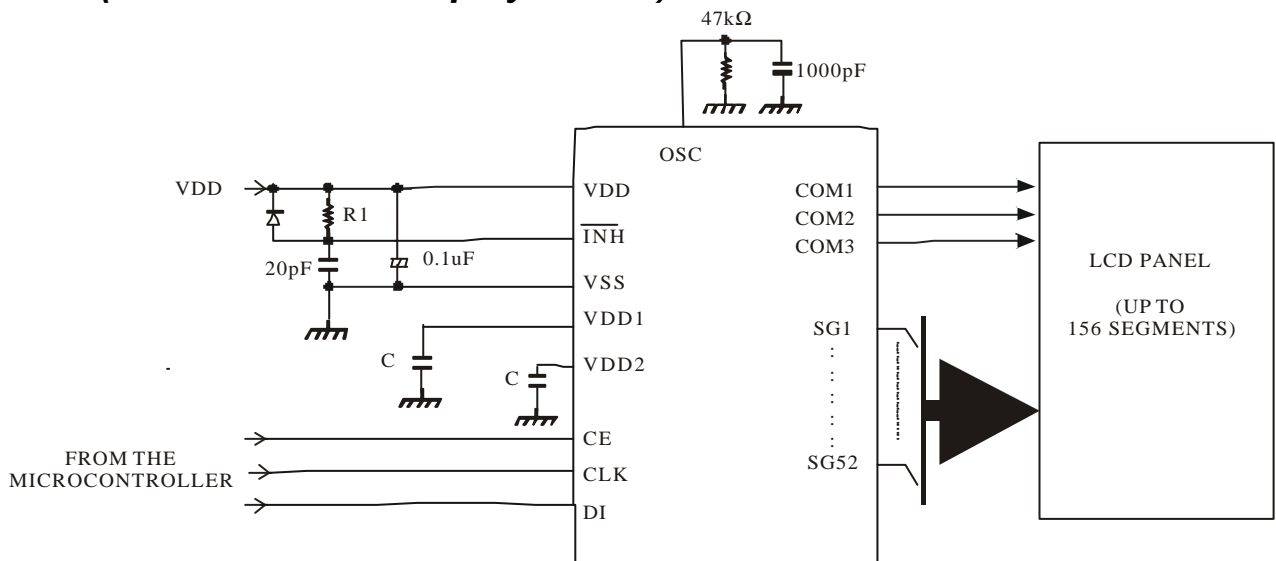
APPLICATION CIRCUIT 1

1/3 Bias (For Small Display Panel)



Note: 1. $39k\Omega \geq R1 \geq 10k\Omega$

1/3 Bias (for Normal Size Display Panels)



Notes: 1. $39k\Omega \geq R1 \geq 10k\Omega$
 2. $C \geq 0.047\mu F$

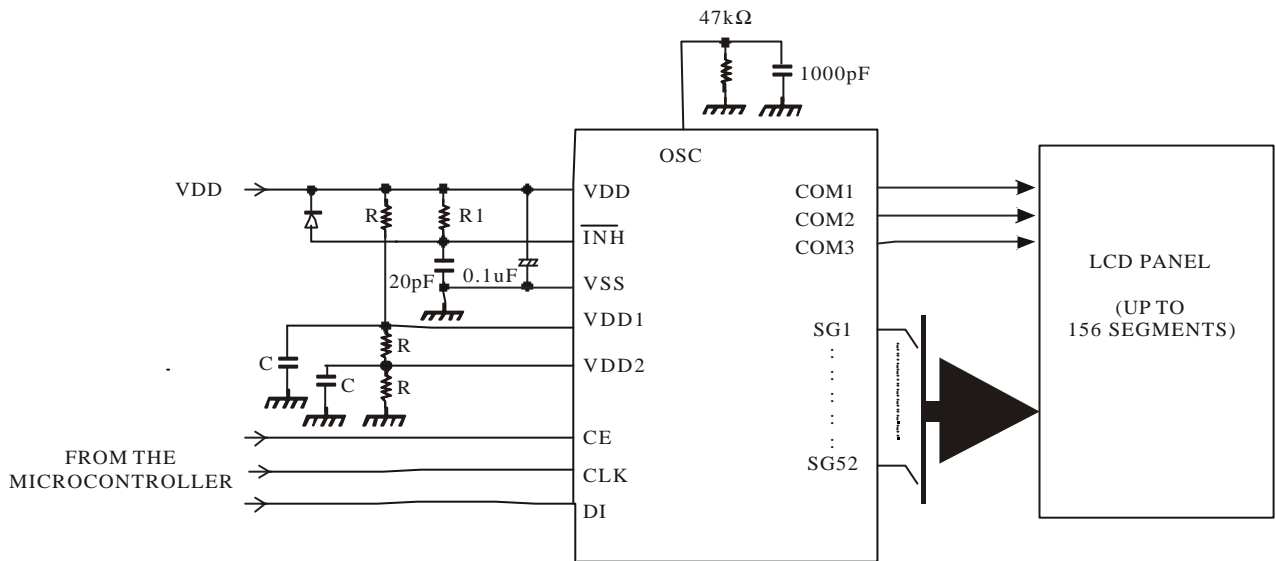


1/3 Duty General Purpose LCD Driver IC

PT6523

APPLICATION CIRCUIT 3

1/3 Bias (For Large Panels)



- Notes: 1. $39k\Omega \geq R1 \geq 10k\Omega$
2. $C \geq 0.047\mu F$
3. $10k\Omega \geq R \geq 1k\Omega$