

# Repeaters



## R1910T In-Building PCS TDMA Repeater

Holes in your PCS network can result in dropped calls, frustrated subscribers, and lost revenue. Solve your indoor coverage problems quickly and easily with WJ Communications R1910T in-building repeater. The "over the air" TDMA repeater provides coverage to retail stores, shopping malls, airports, multi-story buildings and small site applications that obstruct PCS signals.

Small, lightweight, and easy to install, the R1910T repeater provides in-building coverage in less than a day. One installer can mount the unit and connect it to the antennas with low cost coaxial cables. Simply plug it in and turn it on. Coverage is immediate and seamless. The R1910T also comes with software to monitor signal strength and alarms and control frequency channel and gain.

Single and multi-carrier capability are available as well as RS232 and modem interfaces. Software running Windows 95, 2000 and Windows NT allows the installer to monitor alarm and signal information.

- *Covers Buildings up to 1 Million Square Feet*
- *Retail Stores & Shopping Malls*
- *Airport Terminals*
- *Easy Installation*
- *Low Cost*

*The Communications Edge™*

WJ WIRELESS COMMUNICATIONS PRODUCTS  
1-800-WJ1-4401 • FAX: 408-577-6620 • e-mail: wireless.info@wj.com

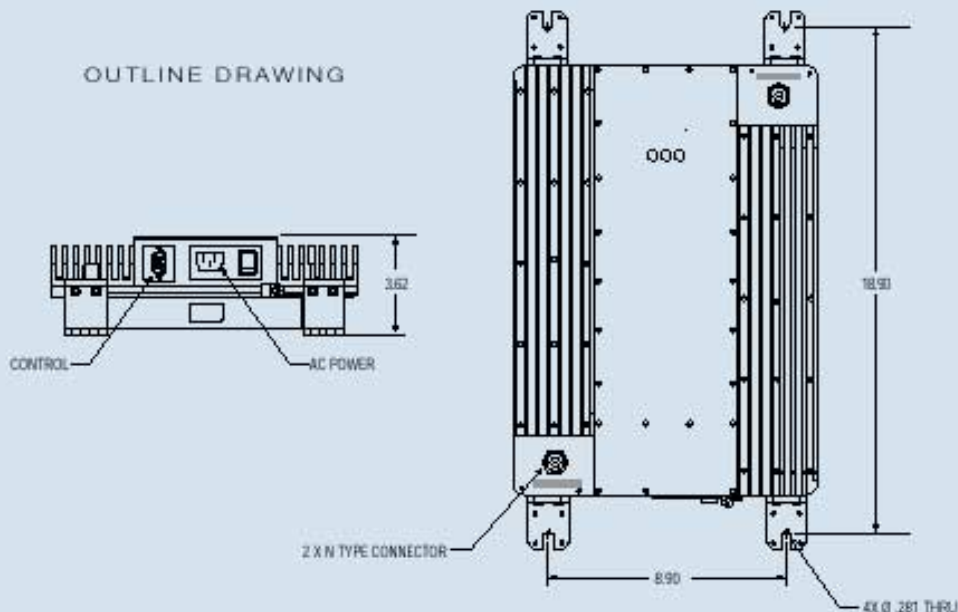


# Repeaters

## R1910T In-Building PCS TDMA Repeater

Specifications	
Frequency Range	Models Available to Cover Bands A, B, C, D, E, F
Output Power	500 mWatts TDMA for 1 Carrier, 100 mWatts TDMA for 2 or more Carriers
Filter Bandwidth	1.3 MHz (Contact Factory for other bandwidths)
Noise Figure	4 dB Typical @ max gain, 6 dB Typical @ min gain
Gain Range	65 dB to 95 dB
Gain Steps	2 dB
Signal Delay	5 µsec.
RF Connectors	Type N
Power supply	110 VAC, 60 Hz, 60 Watts
Alarms & Status	Input Overload, Synthesizers, Amplifiers, Power Amplifiers, Output Power, RSSI
Interface	RS-232, (Modem optional)
Control	Gain, Channel frequency
Cooling	Convection
Temperature	Operating: -10 to +45 C Storage: -40 to +85 C
Size	12" x 16" x 3"
Weight	19 lbs
Weather Resistance	NEMA 12
Approvals and Certification	FCC Type Certified, UL Approved

OUTLINE DRAWING



The Communications Edge™