

RHINE

OC-48 / 4xOC-12 / 16xOC-3 SONET/SDH FRAMER AND POS/ATM MAPPER

PRODUCT BRIEF

Features

- Provides a SONET/SDH STS-48/STM-16, 4 STS-12/STM-4, or 16 STS-3/STM-1 line interfaces.
- STS-48/STM-16 data stream supports a single STS-48c/AU-4-16c, or any valid combination of STS-12c/AU-4-4c and/or STS-3c/AU-4 SONET/SDH payloads.
- Each STS-12/STM-4 data stream supports a single STS-12c/AU-4-4c or 4 STS-3c/AU-4 SONET/SDH payloads.
- Each STS-3/STM-1 data stream supports a single STS-3c/AU-4 SONET/SDH payload.
- Supports mixed STS-3 / STS-12 line rates
- Provides full-duplex mapping of ATM cells or packets in each payload tributary.
- Supports termination of mixed ATM and POS tributaries.
- Terminates/generates SONET/SDH section, line, and path layers with transport/section E1, E2, F1, and DCC overhead interfaces in both transmit and receive directions.
- APS port to support protection-switching configurations between two RHINE devices.
- 16-bit, bus interface at 155 MHz for STS-48/STM-16 mode, or serial interfaces operating at 622/155 MHz for STS-12/3 (STM-4/1) modes on the line side.
- 32-bit, parallel interface (FlexBus-3™) operating at 100 MHz on the system side.
- .25 micron, 2.5V core, and 3.3V tolerant I/O.
- Packaged in a 624 Pin CBGA.

The S4804 is a highly-integrated VLSI device that provides full-duplex mapping of packets or ATM cells to SONET/SDH payloads. It provides support for both uni-directional and bi-directional rings.

The S4804 provides full section, line, and path overhead processing, and supports framing, scrambling/descrambling, alarm signal insertion/detection, and bit-interleaved parity (B1/B2/B3) processing.

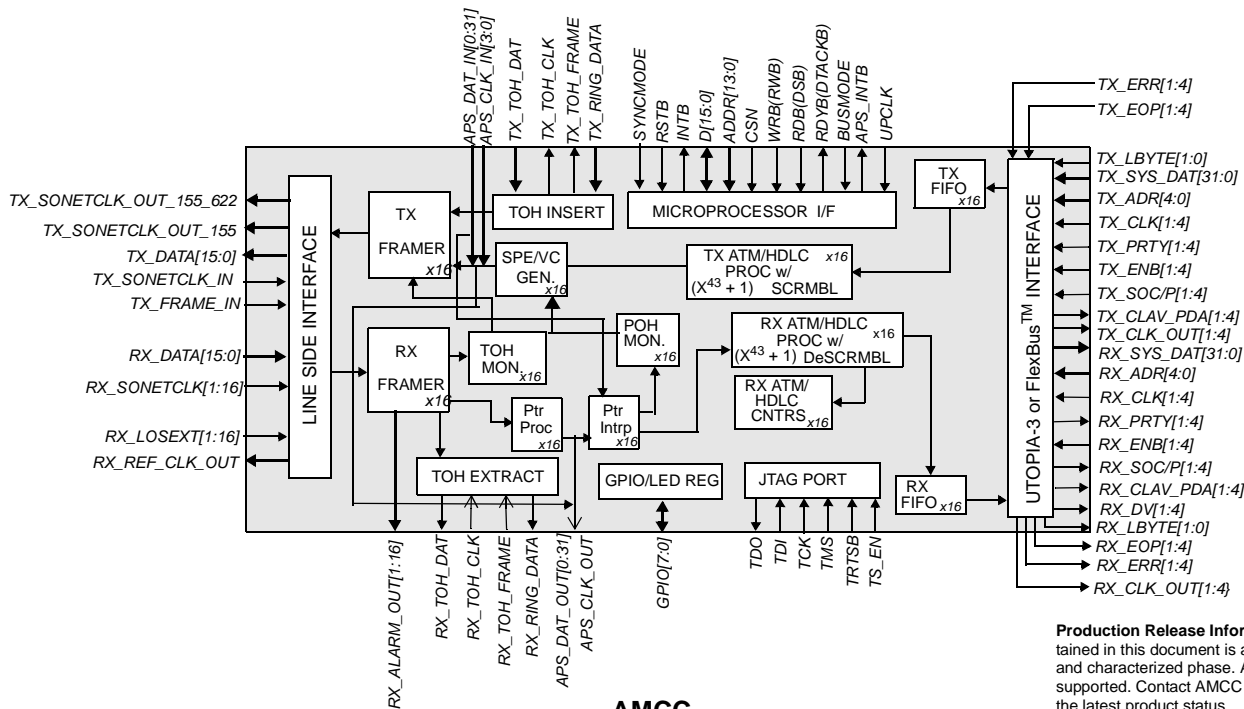
The S4804 is SONET/SDH standards compliant with Bellcore GR-253, ITU G.707, ITU-T 432.1, ANSI T1.105 -1995, and IETF RFCs 1619/1661/1662/2615.

A general purpose 8-bit or 16-bit microprocessor interface is provided for control and monitoring. The interface supports both Intel™ and Motorola™ type microprocessors, and is capable of operating in either an interrupt-driven or polled-mode configuration. In addition, a standard 5 signal IEEE 1149.1 JTAG Test Port is provided for Boundary Scan test purposes.

Applications

- ATM switches
- Packet over SONET Routers and Switches
- SONET/SDH Add Drop Multiplexers, Terminal Multiplexers, and Digital Cross Connects
- Test equipment

S4804CBI Block Diagram



Production Release Information - The information contained in this document is about a product in its fully tested and characterized phase. All features described herein are supported. Contact AMCC for updates to this document and the latest product status.

STS-48 POS/ATM SONET MAPPER

PRODUCT BRIEF

Overview and Applications

Sonet/SDH Processing

The S4804 implements SONET/SDH processing and full-duplex ATM/packet-mapping functions for STS-48/STM-16, STS-12/STM-4, or STS-3/STM-1 data streams. It can support either a single STS-48c/AU-4-16c or any valid combination of STS-12c/AU-4-4c or STS-3c/AU-4 signals within an STS-48/STM-16. The S4804 also supports 4 STS-12/STM-4 signals (each containing a single STS-12c/AU-4-4c or 4 STS-3c/AU-4), or 16 STS-3c/STM-1 signals each containing an STS-3c/AU-4.

A TOH/SOH interface provides direct add/drop capability for E1, E2, F1, and both Section and Line DCC channels. The S4804 also includes a clear channel mode that enables the direct transmission of system payload from the system interface to the line-side interface.

On the transmit side, the S4804 generates section, line, and path overhead. It performs framing pattern insertion (A1, A2), scrambling, alarm-signal insertion, and generates section, line, and path Bit Interleaved Parity (B1/B2/B3) for far-end performance monitoring.

On the receive side, the S4804 processes section, line, and path overhead. It performs framing (A1, A2), descrambling, alarm detection, pointer processing, Bit Interleaved Parity monitoring (B1/B2/B3), and error-count accumulation for performance monitoring.

ATM Processing

When configured for ATM cell processing, the S4804's transmit ATM processor(s) will perform all necessary cell processing as defined by ATM UNI3.1, ITU-T I.432.1, and I.432.2.

HDLC Processing

When configured for POS mode, the S4804's HDLC processor(s) provides HDLC packet processing as defined by IETF RFCs 1619, 1662 and 2615. In addition, the S4804 optionally performs scrambling (X^{43+1}).

Direct Map Mode

Direct Map Mode allows to map any protocol directly into the Sonet/SDH Synchronous Payload Envelope, by-passing the ATM and HDLC processing circuitry.

Automatic Protection Switching

The S4804 provides APS input and output interfaces to convey signals between two S4804 devices configured for APS operation. This configuration supports both 1+1 and 1:1 configurations.

Line-side Interface

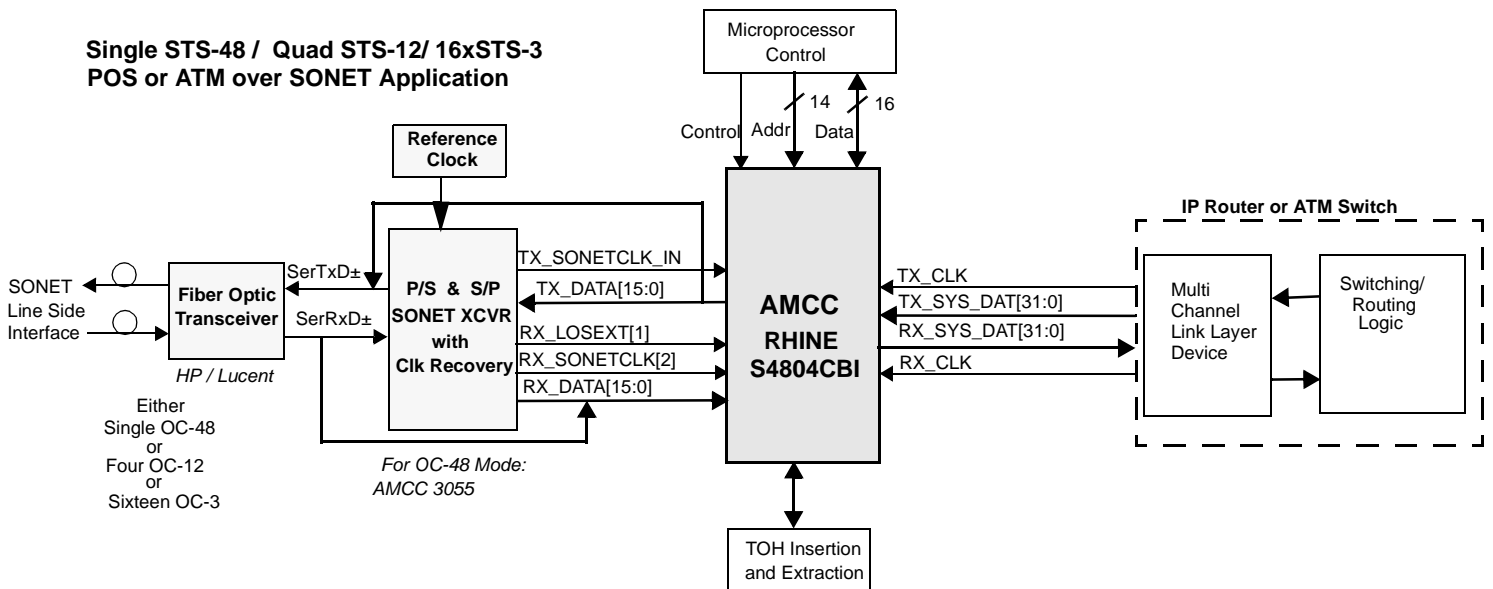
On the line side, the S4804 supports a 16-bit parallel interface, operating at 155MHz for a single OC-48 optical interface. It provides serial interfaces at either 622 MHz or 155 MHz for OC-12 and/or OC-3 optical interfaces. Mixed OC-3 / OC-12 line rates are supported.

System Interface

The S4804 supports a 32-bit, 100-MHz system interface. For ATM cell transfers, the S4804 supports Utopia Level 3 interface. For packet transfers, the S4804 supports FlexBus™ interface. The S4804 also provides support for a quad, 8-bit extension of the Utopia 3.

TYPICAL APPLICATIONS: S4804CBI - RHINE in ATM or POS System

Single STS-48 / Quad STS-12/ 16xSTS-3 POS or ATM over SONET Application



AMCC