

# HDSL & G.SHDSL Magnetics

GlobespanVirata

TM02308

- Designed for G2237 DSP and 3137 AFE
- Designed to comply with the requirements of GR1089 power fault, UL1950 and EN60950 to provide an insulation barrier with a working voltage of 250V
- Minimum interwinding breakdown voltage of 1500 Vrms
- Minimum interwinding breakdown voltage of 600 Vrms between line center tap or pin 1 and 2
- Operating and storage temperature range: -40° to +85° C
- Meets IEC 695, 2-2 flammability requirements
- PWB Process Capability: standard printed wiring board assembly techniques, total-immersion cleaning
- Reliability testing: shock, vibration, temperature cycling, temperature - humidity - bias

## ELECTRICAL SPECIFICATIONS AT 25° C

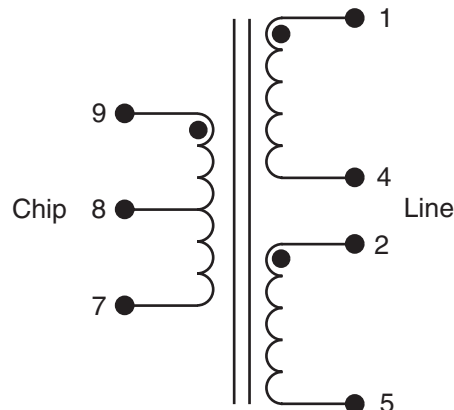
Part Number	Turns Ratio ±2%	Inductance <sup>1</sup> mH ±5%	Leakage Inductance <sup>2</sup> µH max	DCR Ω max		Longitudinal Balance <sup>3</sup> dB max	Insertion Loss dB max	Harmonic Distortion <sup>3</sup> dB max
	Chip : Line	Line Side	Line Side	Chip Side	Line Side	20 kHz - 300 kHz	100 kHz	2 Vrms 5 kHz
S560-6600-GK	1 : 4	2	10	0.45	2.6	-55	0.5	-80

All measurements are made with pins 2 and 4 connected

1. Inductance measured at 10 kHz, 0.1 Vac
2. Measured at 100 kHz, 0.1 Vac
3. Measured with line impedance of 135 Ω and chip impedance of 8.4 Ω

## SCHEMATIC

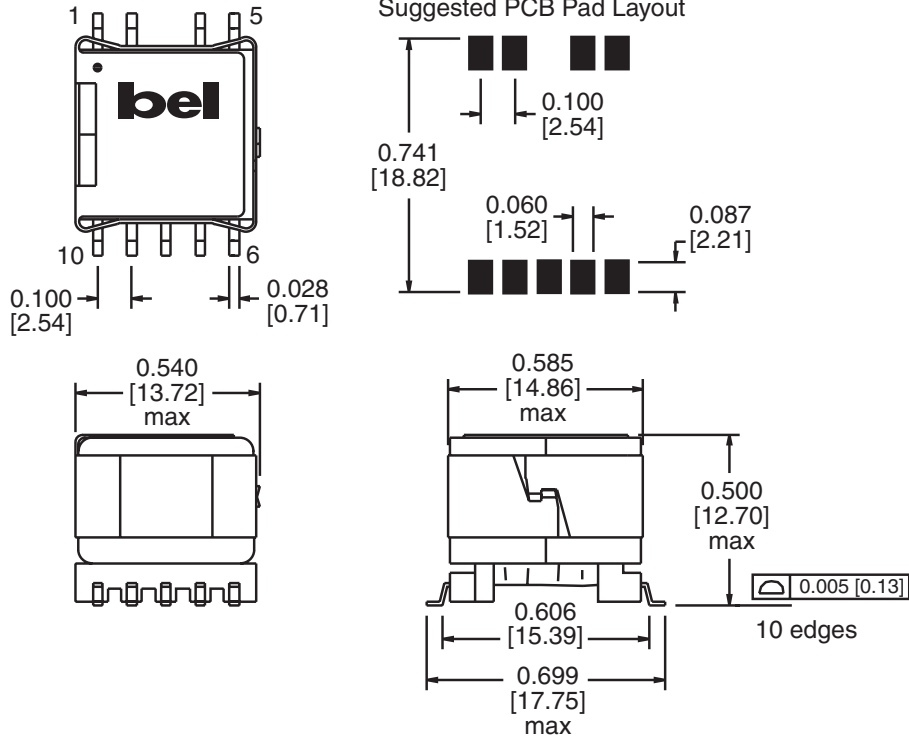
S560-6600-GK



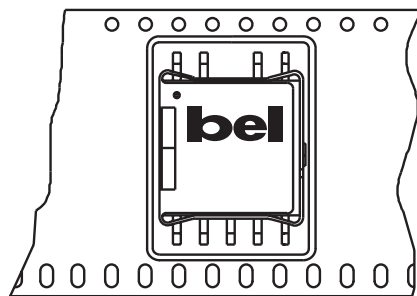
TM02308

### MECHANICAL

S560-6600-GK



Dimensions are in inches [millimeters].  
Standard dimension tolerance is  $\pm 0.005$  [0.13] unless otherwise noted.



➔ User Feed Direction

Orientation of Component Inside Pocket

#### Tape and Reel Packaging

32 mm wide by 24 mm pitch; 13 inch OD, 4 inch ID  
200 components per reel, maximum  
Meets ANSI/EIA 481-2 Carrier Tape Standards

©2002 Bel Fuse Inc. Specifications subject to change without notice. 11.02

#### CORPORATE

**Bel Fuse Inc.**  
206 Van Vorst Street  
Jersey City, NJ 07302  
Tel 201-432-0463  
Fax 201-432-9542  
www.belfuse.com

#### FAR EAST

**Bel Fuse Ltd.**  
8F / 8 Luk Hop Street  
San Po Kong  
Kowloon, Hong Kong  
Tel 852-2328-5515  
Fax 852-2352-3706  
www.belfuse.com

#### EUROPE

**Bel Fuse Europe Ltd.**  
Preston Technology Management Centre  
Marsh Lane, Suite G7, Preston  
Lancashire, PR1 8UD, U.K.  
Tel 44-1772-556601  
Fax 44-1772-888366  
www.belfuse.com