

Datenblatt

SBC8233VE

Preise online unter

www.PLUG-IN.de

Gerne erstellen wir für Sie ein unverbindliches Angebot!

Kontaktieren Sie uns per Telefon, Fax oder E-Mail und nennen Sie uns Ihre Wünsche:

Ringstr. 48 • D-82223 Eichenau

Tel.: +49 (0) 8141/36 97-0

Fax: +49 (0) 8141/36 97-30

E-Mail: info@PLUG-IN.de

www.PLUG-IN.de



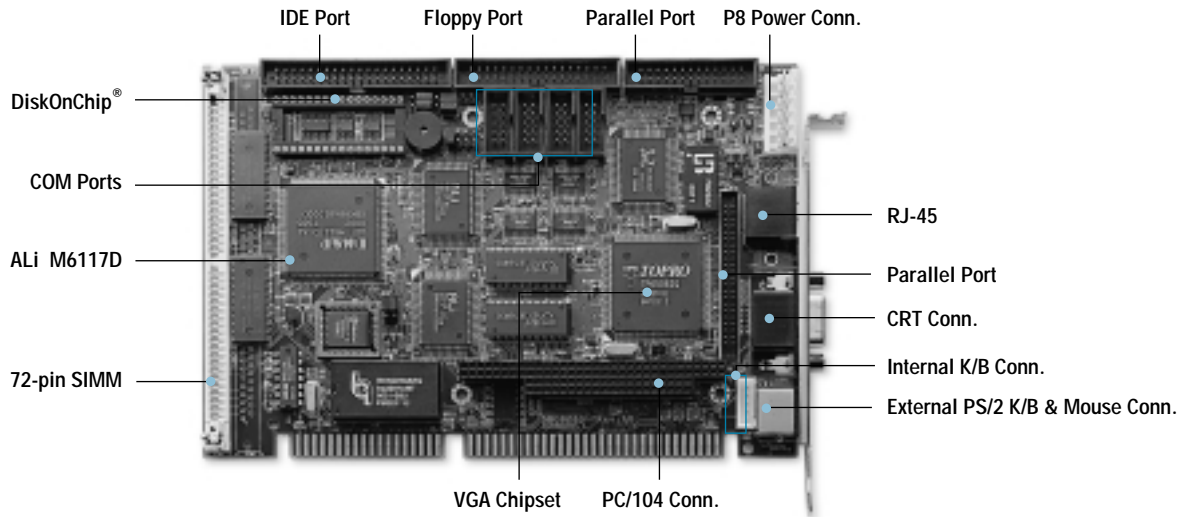
SBC8233VE

Half-size All-in-One Ethernet DiskOnChip®

ISA CRT/LCD Flash BIOS

386 PC/104

386 SBC with VGA/LAN All-in-One Selected Features



SPECIFICATIONS

Processor Socket	* PQFP Intel® 80386SX-40 Compatible Core Onboard
Chipset	* ALi M6117D Core Logic Controller
Bus Clock	* 8MHz, Programmable up to 16MHz
Memory	* Bank 0, Onboard 4MB EDO * Bank 1, 72-pin SIMM Max. EDO up to 16MB
Onboard IDE	* PIO Mode 0-4, One Channel up to 2 Devices * Enhanced IDE ATAPI/16.6
Onboard Multi I/O	* One SPP/EPP/ECP Parallel Port (Box-header) * One Floppy Port (Box-header) * Four 16550 UARTs Compatible Serial Ports with COM1/3/4 as RS-232 (Box-header) and COM2 (Box-header) Jumper Selectable as RS-232/422/485
Keyboard	* PS/2 Type (Mini-Din Connector) * Internal 5-pin Box-header
Mouse	* PS/2 Type (Mini-Din Connector)
Watchdog Timer	* System Reset or Non-Maskable Interrupt Software Programmable Time Interval * 30.5µs to 512 Seconds
BIOS	* AMI BIOS: 1Mbit ROM
RTC	* Dallas/ST 12887 or The Latest Components with Lithium Battery Backup
Onboard Display	* TOPRO TP6508 Supports CRT/LCD with 1MB Video RAM * CRT Monitor Supports Interlaced & Non-interlaced * LCD Monitor Supports Mono, EL, DSTN and TFT * 1MB VRAM Resolution ~ up to 1024 x 768 @ 256Colors
Onboard Ethernet	* Realtek 8019AS ISA 10Base-T Ethernet * RJ-45 Connector Equipped
Onboard SSD	* M-Systems DiskOnChip® Support
Extension	* One 16-bit PC/104 Connector
Other Features	* Internal 6-pin AT Type P8 Power Connector

ORDERING INFORMATION

SBC8233VE	386 Half-size CPU Board with CRT/LCD, 10 Base-T Ethernet & 4 COM Ports
SBC8233V	386 Half-size CPU Board with CRT/LCD & 2 COM Ports
SBC8234V	386 Half-size CPU Board with CRT/LCD & 4 COM Ports

DIMENSIONS

Half-size SBCs

SBC8233VE SERIES

