

January 30, 1998

TEL:805-498-2111 FAX:805-498-3804 WEB:http://www.semtech.com

DESCRIPTION

The SC1628 is a high performance step-up DC-DC converter, designed to drive an external power switch to generate programmable positive voltages. In the particularly suitable LCD contrast bias and flash memory programming power supply applications, typical full load efficiencies are 85% to 95%. The 4V to 24V input operation range allows the SC1628 to be powered directly by the battery pack in most battery-powered applications for greater efficiency. The output voltage can be scaled to 40V or greater by two external resistors. A pulse-frequency modulation scheme is employed to maintain high efficiency conversion under wide input voltage ranges. Quiescent current is about 100 μ A and can be reduced down to 8 μ A in shutdown mode. With a switching frequency range of 90kHz to 250kHz, small size switching components may be used, which is ideal for battery powered portable equipment such as notebook and palmtop computers.

APPLICATIONS

- Flash memory programming power supply
- Positive LCD contrast bias for notebook and palmtop computers
- Step-up DC-DC converter module
- Telecom power supply

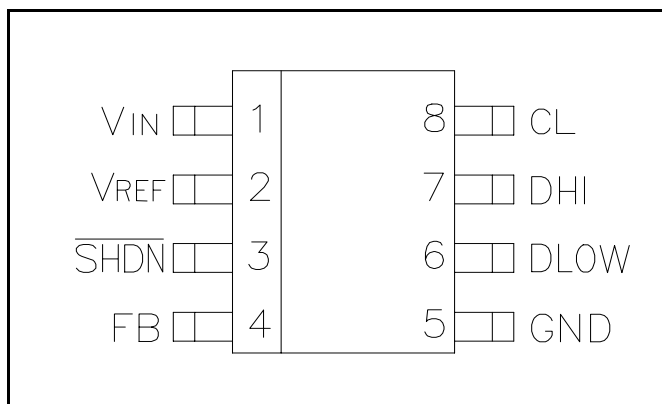
ORDERING INFORMATION

DEVICE ⁽¹⁾	PACKAGE
SC1628CS	SO-8

Note:

(1) Add suffix 'TR' for tape and reel.

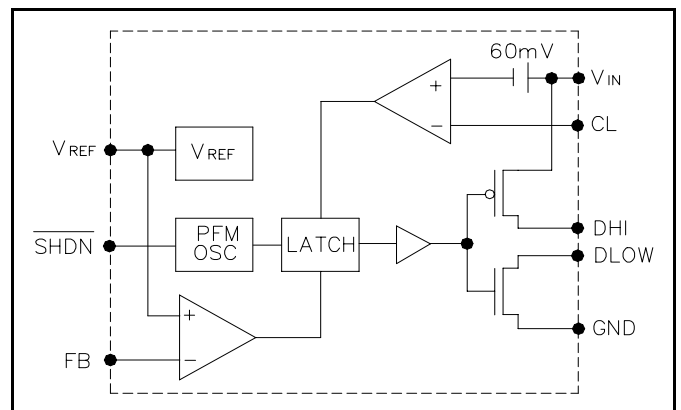
PIN CONFIGURATION



FEATURES

- 4V to 24V input voltage operation
- Adjustable output voltage
- Low quiescent current at 100 μ A
- Pulse-skipping and pulse-frequency modulation maintain high efficiency (max. 95%)
- 90kHz to 250kHz oscillator frequency
- Power-saving shutdown mode (8 μ A typical)
- Push-pull driver output

BLOCK DIAGRAM



ABSOLUTE MAXIMUM RATINGS

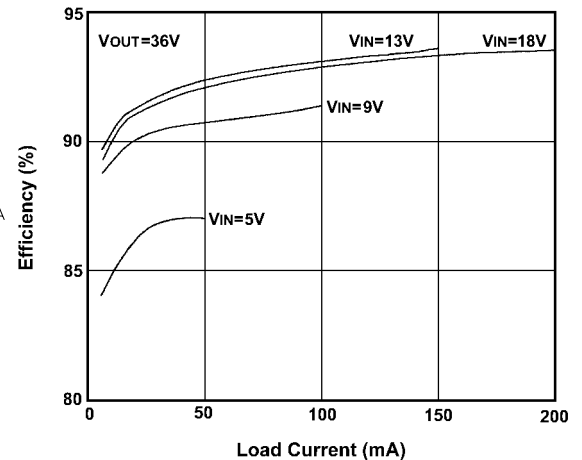
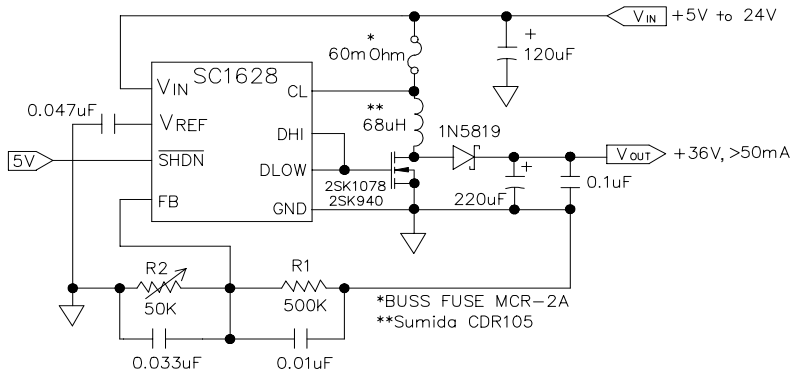
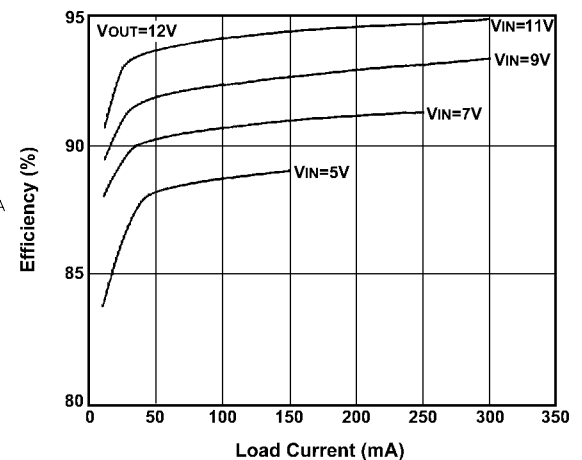
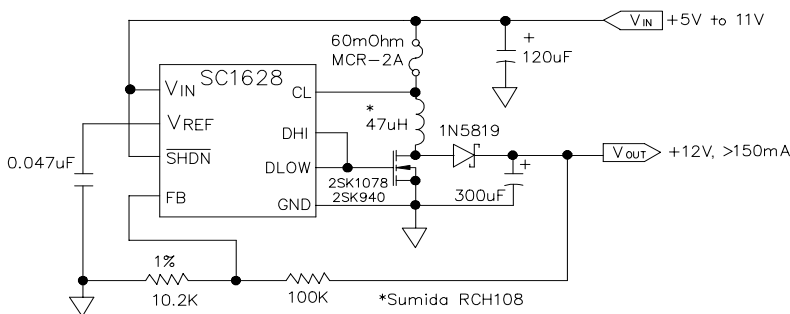
Parameter	Symbol	Maximum	Units
Supply Voltage	V _{IN}	24	V
SHDN Voltage	V _{SHDN}	15	V
Operating Temperature Range	T _A	0 to 70	°C
Storage Temperature Range	T _{STG}	-65 to 125	°C

January 30, 1998

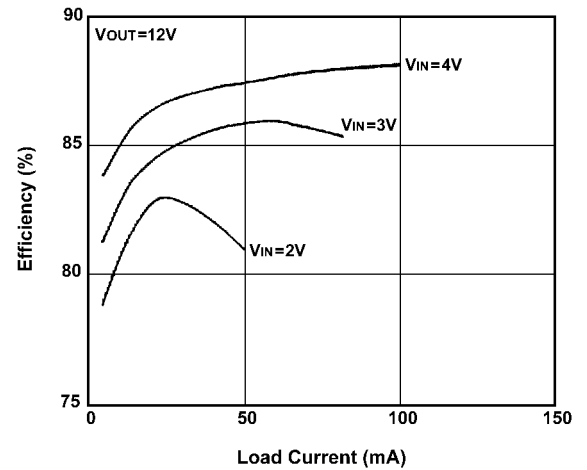
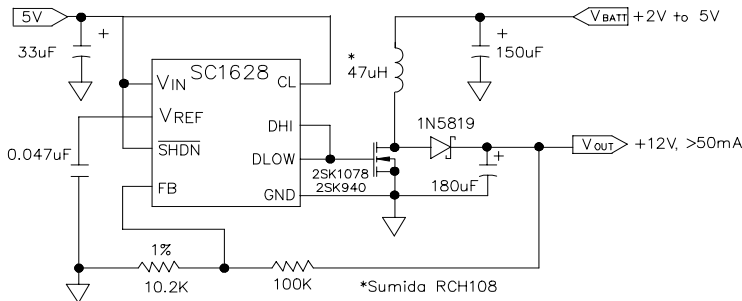
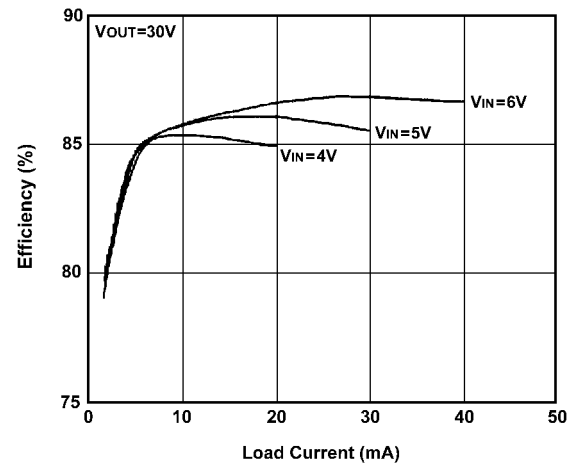
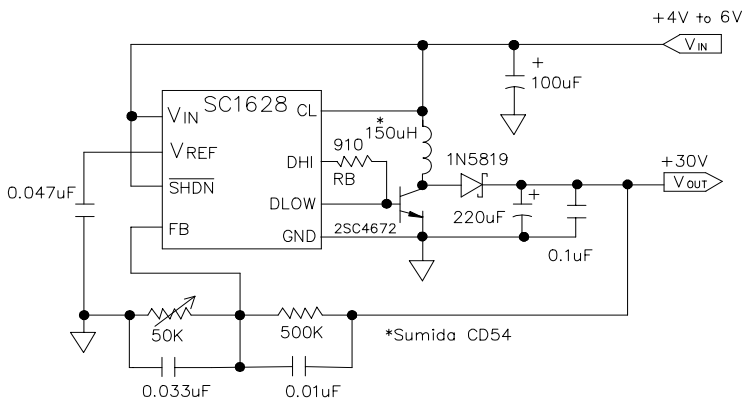
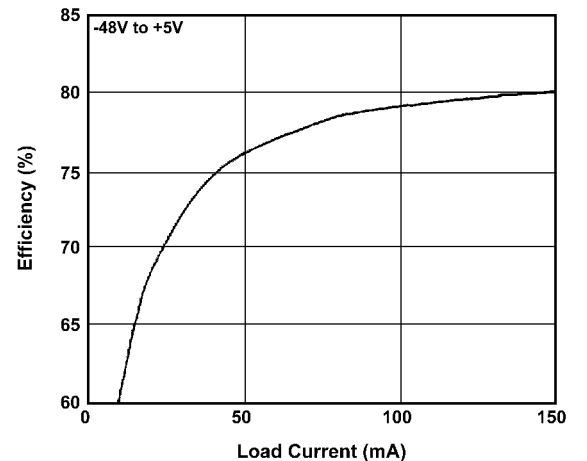
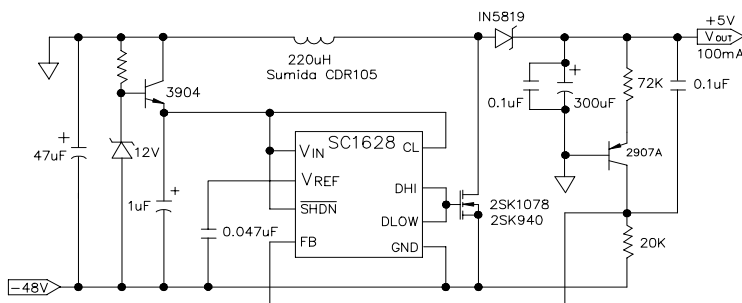
ELECTRICAL CHARACTERISTICS

 Unless otherwise specified, $T_A = 25^\circ\text{C}$, $V_{IN} = 13\text{V}$

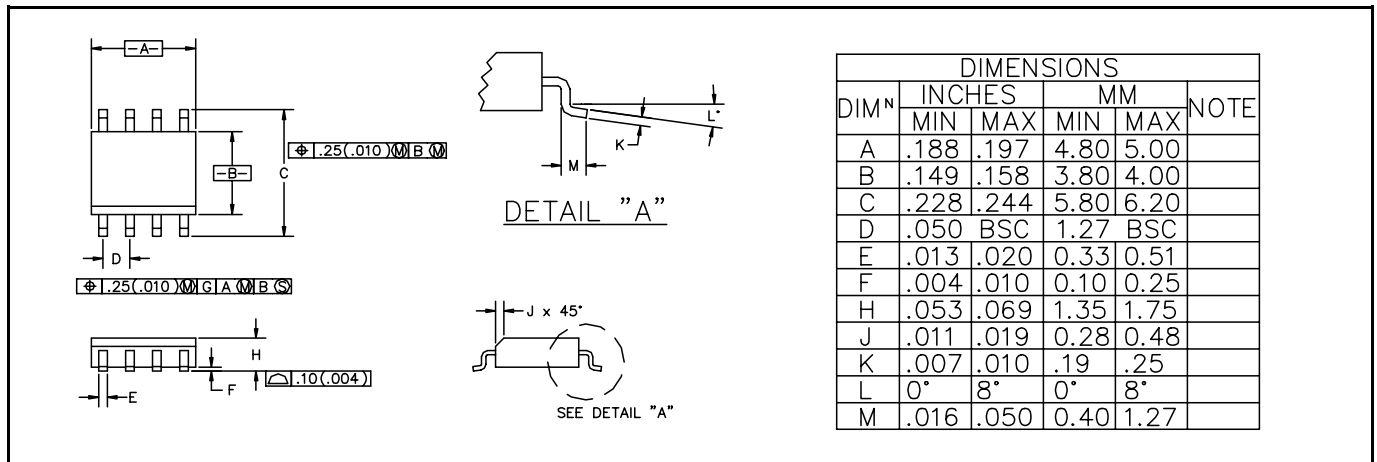
Parameter	Conditions	Min	Typ	Max	Units
Input Voltage		4		24	V
Quiescent Current	$V_{FB} = 1.5\text{V}$		100	200	μA
Shutdown Mode Current	$V_{SHDN} = 0\text{V}$		8	20	μA
V_{REF} Voltage	$I_{SOURCE} = 250\mu\text{A}$	1.16	1.22	1.28	V
V_{REF} Source Current		250			μA
DLOW "ON Resistance"			15		Ω
DHI "ON Resistance"			10		Ω
CL Threshold	$V_{IN} - V_{CL}$	45	60	75	mV
Shutdown Threshold		0.8	1.5	2.4	V
Shutdown Input Leakage Current	$V_{SHDN} < 15\text{V}$			1	μA

TYPICAL APPLICATIONS
Color LCD Contrast Bias Supply

Flash Memory Programming Supply


January 30, 1998

TYPICAL APPLICATIONS (cont.)
2-Cells to +12V Flash Memory Programmer

4-Cells to +30V Low Power Supply

Telecom +5V Supply


January 30, 1998

DEVICE OUTLINE - SO-8

PIN DESCRIPTIONS

- PIN 1:** V_{IN} 4V to 24V input supply voltage.
- PIN 2:** V_{REF} 1.22V reference output. Bypass with a 0.047 μ F capacitor to GND. Sourcing capability is guaranteed to be greater than 250 μ A.
- PIN 3:** \overline{SHDN} Logical input to shutdown the chip: >1.5V = normal operation, GND = shutdown. Cannot be floating or forced greater than 15V. In shutdown mode DLOW and DHI pins are low.
- PIN 4:** **FB** Feedback signal input to comparator. Connecting a resistance R1 to V_{OUT} and a resistance R2 to GND yields the output voltage:

$$V_{OUT} = \frac{R1+R2}{R2} \times V_{REF}$$

(refer to typical application circuit).

- PIN 5:** **GND** Power ground.
- PIN 6:** **DLOW** Driver sinking output. Connected to the gate of the external N-channel MOSFET or the base of the NPN bipolar transistor.
- PIN 7:** **DHI** Driver sourcing output. Connected to DLOW when using an external N-channel MOSFET. When using an external NPN bipolar transistor, connect a base resistance R_B from this pin to DLOW. R_B value depends upon V_{IN} , the inductor value and the NPN current gain.
- PIN 8:** **CL** Current-limit input. The threshold voltage is 60mV from V_{IN} . This pin clamps the switch peak current under abnormal conditions.

PIN CONFIGURATION
