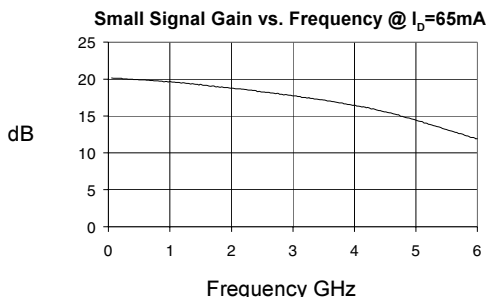


## Product Description

Stanford Microdevices' SCA-14 is a high performance Gallium Arsenide Heterojunction Bipolar Transistor MMIC Amplifier. A Darlington configuration is utilized for broadband performance up to 4 GHz. The heterojunction increases breakdown voltage and minimizes leakage current between junctions. Cancellation of emitter junction non-linearities results in higher suppression of intermodulation products. Typical IP<sub>3</sub> at 850 MHz with 65mA is 33.2 dBm.

These unconditionally stable amplifiers provide 20 dB of gain and 17.7 dBm of 1dB compressed power and require only a single positive voltage supply. Only 2 DC-blocking capacitors, a bias resistor and an optional inductor are needed for operation. This MMIC is an ideal choice for wireless applications such as cellular, PCS, CDPD, wireless data and SONET.



## Electrical Specifications

Symbol	Parameters: Test Conditions: Z <sub>0</sub> = 50 Ohms, I <sub>b</sub> = 65mA, T = 25°C	Units	Min.	Typ.	Max.
P <sub>1dB</sub>	Output Power at 1dB Compression	f = 850 MHz f = 1950 MHz f = 2400 MHz	dBm dBm dBm	17.7 18.1 18.1	
IP <sub>3</sub>	Third Order Intercept Point Power out per tone = 0 dBm	f = 850 MHz f = 1950 MHz f = 2400 MHz	dBm dBm dBm	33.2 31.1 30.7	
S <sub>21</sub>	Small Signal Gain	f = 850 MHz f = 1950 MHz f = 2400 MHz	dB dB dB	18 20.0 19.0 18.6	
Bandwidth	(Determined by S <sub>11</sub> , S <sub>22</sub> Values)		MHz	4000	
S <sub>11</sub>	Input VSWR	f = DC-4000 MHz	-	1.4:1	
S <sub>22</sub>	Output VSWR	f = DC-4000 MHz	-	1.8:1	
S <sub>12</sub>	Reverse Isolation	f = 850 MHz f = 1950 MHz f = 2400 MHz	dB dB dB	22.7 22.5 22.2	
NF	Noise Figure, Z <sub>s</sub> = 50 Ohms	f = 1950 MHz	dB	4.0	
V <sub>D</sub>	Device Voltage		V	4.3	5.3
Rth,j-l	Thermal Resistance (junction - lead)		° C/W	224	

The information provided herein is believed to be reliable at press time. Stanford Microdevices assumes no responsibility for inaccuracies or omissions. Stanford Microdevices assumes no responsibility for the use of this information, and all such information shall be entirely at the user's own risk. Prices and specifications are subject to change without notice. No patent rights or licenses to any of the circuits described herein are implied or granted to any third party. Stanford Microdevices does not authorize or warrant any Stanford Microdevices product for use in life-support devices and/or systems. Copyright 2000 Stanford Microdevices, Inc. All worldwide rights reserved.

## SCA-14

### DC-4 GHz, Cascadable GaAs HBT MMIC Amplifier

NGA-589 Recommended for New Designs



## Product Features

- High Output IP<sub>3</sub>: 33.2 dBm @ 850 MHz
- Cascadable 50 Ohm Gain Block
- Patented GaAs HBT Technology
- Operates From Single Supply

## Applications

- Cellular, PCS, CDPD, Wireless Data, SONET

**Absolute Maximum Ratings**

Operation of this device above any one of these parameters may cause permanent damage.

Bias Conditions should also satisfy the following expression:

$$I_D V_D (\text{max}) < (T_J - T_{OP})/R_{th, j-l}$$

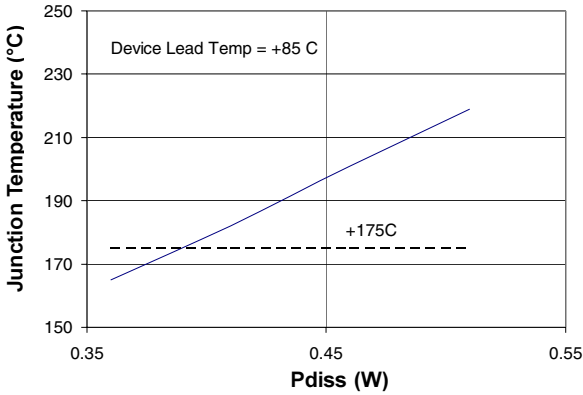
Parameter	Value	Unit
Supply Current	120	mA
Operating Temperature	-40 to +85	C
Maximum Input Power	10	dBm
Storage Temperature Range	-40 to +150	C
Operating Junction Temperature	+175	C

Parameter	Typical		Test Condition ( $I_D = 65 \text{ mA}$ , unless otherwise noted)
	25°C	Unit	
<b>500 MHz</b>			
Gain	20.2	dB	$Z_S = 50 \text{ Ohms}$ Tone spacing = 1 MHz, Pout per tone = 0 dBm
Noise Figure	3.9	dB	
Output IP3	32.3	dBm	
Output P1dB	17.5	dBm	
Input Return Loss	14.0	dB	
Isolation	22.6	dB	
<b>850 MHz</b>			
Gain	20.0	dB	$Z_S = 50 \text{ Ohms}$ Tone spacing = 1 MHz, Pout per tone = 0 dBm
Noise Figure	4.0	dB	
Output IP3	33.2	dBm	
Output P1dB	17.7	dBm	
Input Return Loss	13.7	dB	
Isolation	22.7	dB	
<b>1950 MHz</b>			
Gain	19.0	dB	$Z_S = 50 \text{ Ohms}$ Tone spacing = 1 MHz, Pout per tone = 0 dBm
Noise Figure	4.0	dB	
Output IP3	31.1	dBm	
Output P1dB	18.1	dBm	
Input Return Loss	15.8	dB	
Isolation	22.4	dB	
<b>2400 MHz</b>			
Gain	18.6	dB	Tone spacing = 1 MHz, Pout per tone = 0 dBm
Output IP3	30.7	dBm	
Output P1dB	18.1	dBm	
Input Return Loss	18.7	dB	
Isolation	22.2	dB	

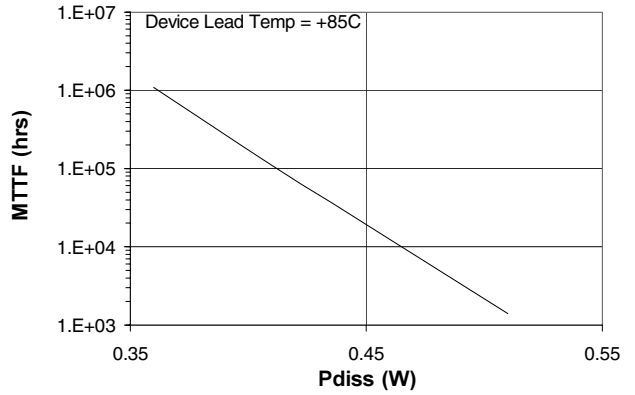
**\*NOTE:** While the SCA-4 can be operated at different bias currents, 65 mA is the recommended bias for lower junction temperature and longer life. This reflects typical operating conditions which we have found to be an optimal balance between high IP3 and MTTF. In general, MTTF is improved to more than 100,000 hours when biasing at 65 mA and operating up to 85°C ambient temperature.

## SCA-14 DC-4GHz Cascadable MMIC Amplifier

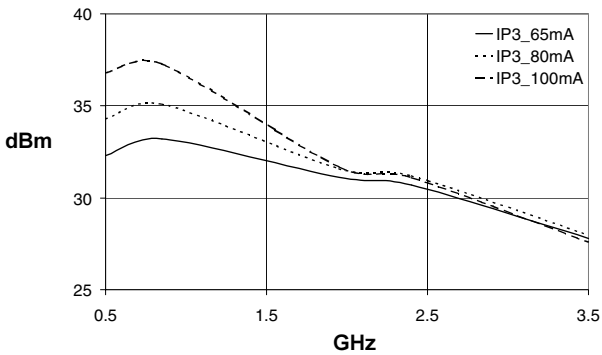
Junction Temp vs. Dissipated Power



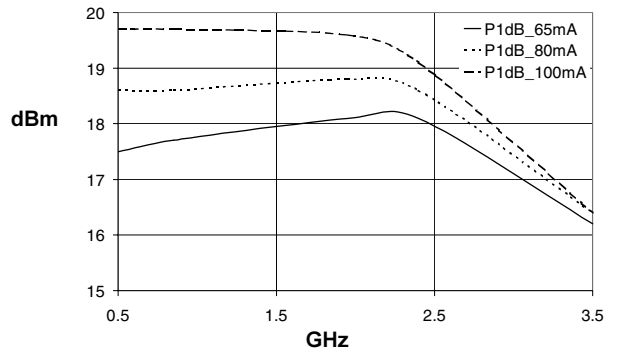
MTTF vs. Dissipated Power



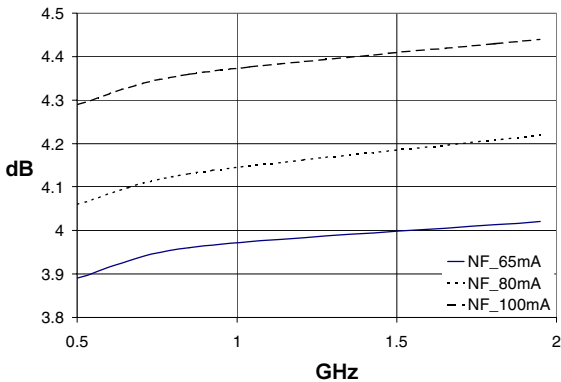
Output IP3 vs.  $I_D$  vs. Frequency



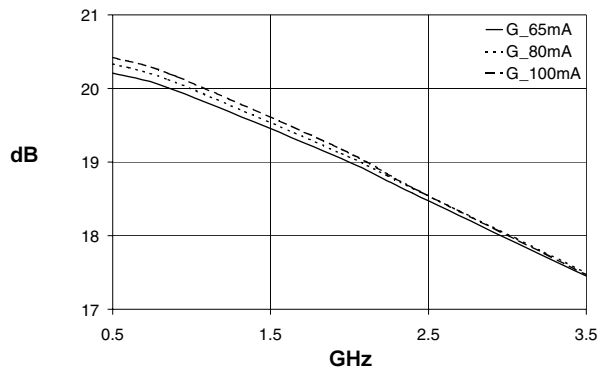
Output P1dB vs.  $I_D$  vs. Frequency



NF vs.  $I_D$  vs. Frequency



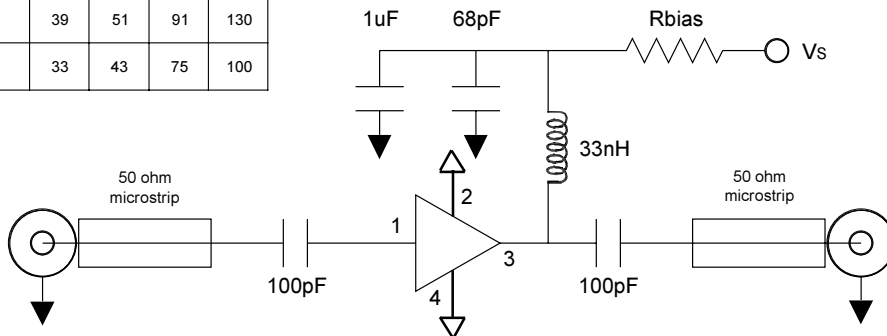
Small Signal Gain vs.  $I_D$  vs. Frequency



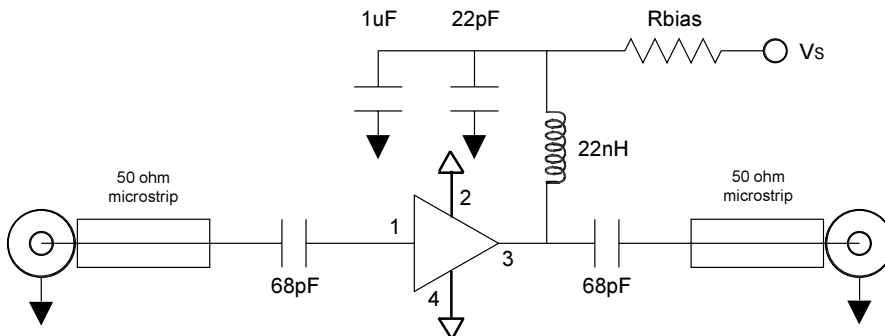
Pin #	Function	Description
1	RF IN	RF input pin. This pin requires the use of an external DC blocking capacitor chosen for the frequency of operation.
2	GND	Connection to ground. Use via holes for best performance to reduce lead inductance. Place vias as close to ground leads as possible.
3	RF OUT/Vcc	RF output and bias pin. Bias should be supplied to this pin through an external series resistor and RF choke inductor. Because DC biasing is present on this pin, a DC blocking capacitor should be used in most applications (see application schematic). The supply side of the bias network should be well bypassed.
4	GND	Same as Pin 2.

**Application Schematic for Operation at 850 MHz**

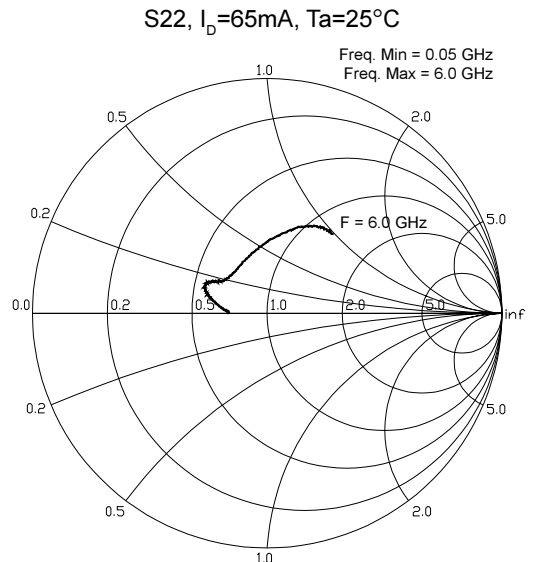
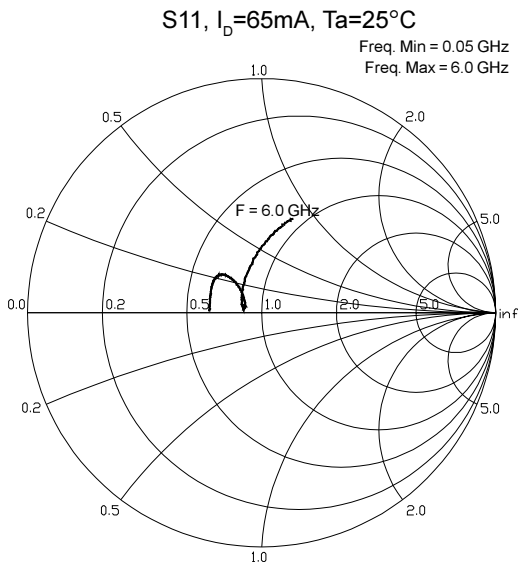
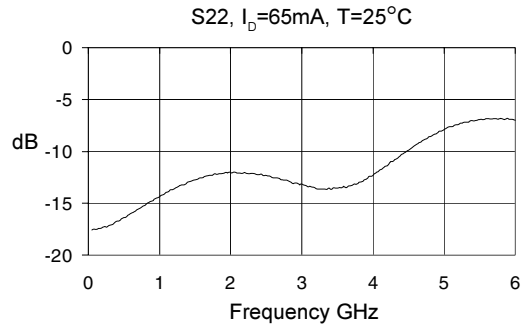
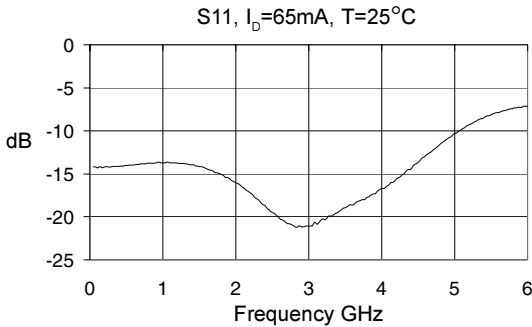
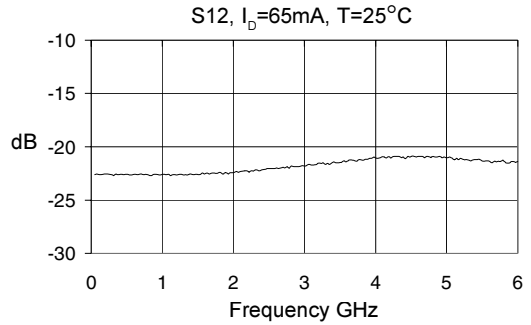
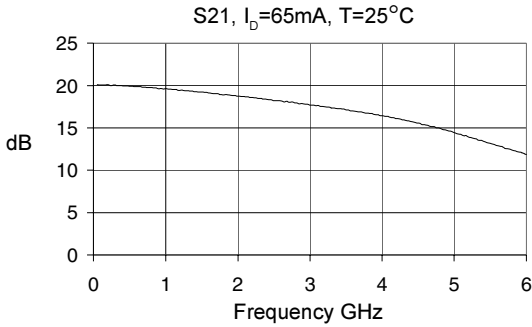
Recommended Bias Resistor Values				
Supply Voltage(Vs)	8V	9V	12V	15V
Rbias (Ohms) @ 65 mA	51	68	110	160
Rbias (Ohms) @ 80 mA	39	51	91	130
Rbias (Ohms) @ 100 mA	33	43	75	100



**Application Schematic for Operation at 1950 MHz**



## SCA-14 DC-4GHz Cascadable MMIC Amplifier



## SCA-14 DC-4GHz Cascadable MMIC Amplifier



### Caution: ESD Sensitive

Appropriate precautions in handling, packaging and testing devices must be observed.

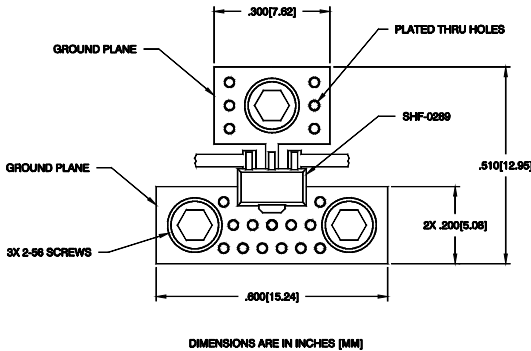
### Part Symbolization

The part will be symbolized with a "C4" designator on the top surface of the package.

### Mounting Instructions

The data shown was taken on a 31 mil thick FR-4 board with 1 ounce of copper on both sides. The board was mounted to a baseplate with 3 screws bring the top side copper temperature to the same value as the baseplate.

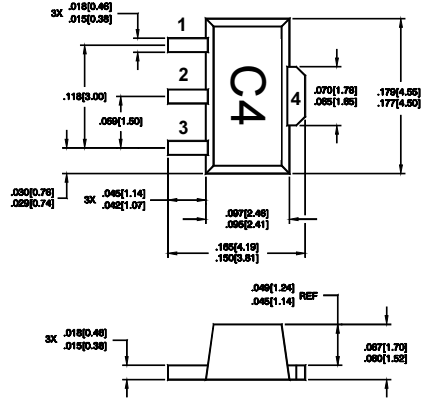
1. Use 1 or 2 ounce copper, if possible.
2. Solder the copper pad on the backside of the device package to the ground plane.
3. Use a large ground pad area with many plated through-holes as shown.
4. If possible, use at least one screw no more than 0.2 inch from the device package to provide a low thermal resistance path to the baseplate of the package.
5. Thermal resistance from ground lead to screws is 2 deg. C/W.



### Part Number Ordering Information

Part Number	Reel Size	Devices/Reel
SCA-14	7"	1000

### Outline Drawing



DIMENSIONS ARE IN INCHES (MM)

Pin assignments shown for reference only, not marked on part.

### PCB Pad Layout

