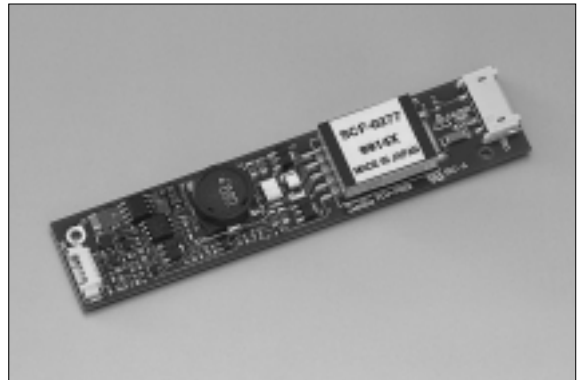
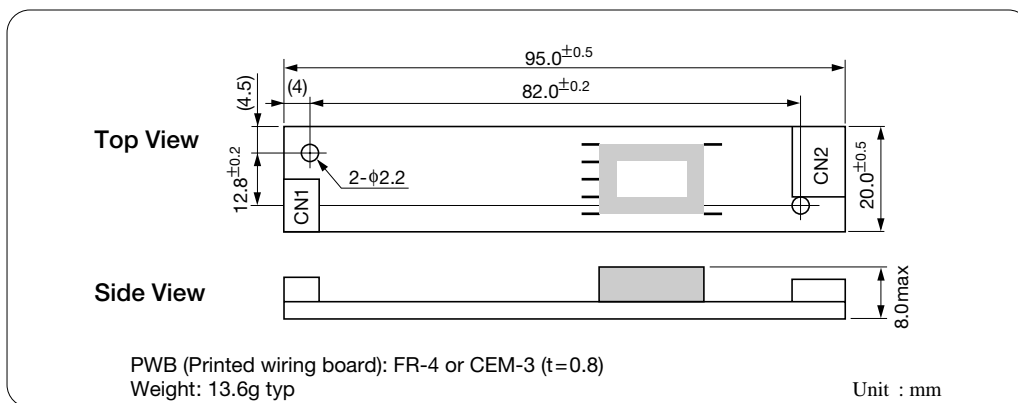


■ Features

- Built in On/Off control function
- Regulated lamp current
- Built in Current Mode dimming control circuit.
- Applications: LCD size 13 to 15 inches for note PC
 Suitable Sanken's CCFL: Lamp length 270 to 310 mm
 : Exterior Diameter ϕ 1.8, 2.0, 2.2mm



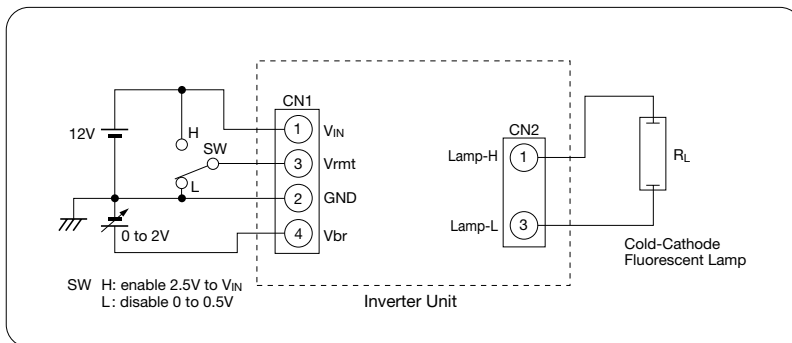
■ Outline



■ Connector terminal number and Function

Connector No.	Terminal No.	Symbol	Function	Connector type name/Manufacturer
CN1 (Input)	1	V _{IN}	DC input voltage	53261-0590/molex
	2	GND	GND	
	3	V _{rmt}	On-Off control	
	4	V _{br}	Dimming control	
	5	N.C		
CN2 (Output)	1	Lamp-H	Output high side	SM02 (8.0) B-BHS-TB/JST
	2	Lamp-L	Output low side	

Application



Absolute maximum ratings

Parameter	Symbol	Ratings	Unit	Remarks
DC input voltage	V_{IN}	0 to 16	V	
On/Off voltage	V_{rmt}	0 to 16	V	
Dimming voltage	V_{br}	0 to 2.5	V	
Output power	P_L	4.0	W	
Operating temp.	T_{opr}	0 to 60	°C	
Storage temp.	T_{stg}	-20 to 80	°C	
Humidity	RH	95	%RH	Maximum wet-bulb temp. 38°C No dew condensation

Electrical characteristics

Conditions: at $T_{opr}=25^{\circ}\text{C}$, $V_{IN}=12\text{V}$ (unless otherwise stated)

Parameter	Symbol	Ratings			Unit	Remarks
		min	typ	max		
DC input voltage	V_{IN}	9.6	12	15	V	
Input current	I_{IN}	—	—	500	mA	$V_{IN}=12\text{V}$
Driving frequency	f_{sw}	50	55	60	kHz	$R_L=120\text{k}\Omega$
Output current	I_L	—	6.0	—	mArms	$R_L=120\text{k}\Omega$, $V_{br}=0\text{V}$
		—	3.0	—	mArms	$R_L=120\text{k}\Omega$, $V_{br}=2\text{V}$
Output Power	P_L	—	3.6	—	W	$R_L=120\text{k}\Omega$
Open voltage	V_O	1500	—	—	Vrms	$V_{IN}=9.6\text{V}$, $R_L=100\text{M}\Omega$

Dimming characteristics

