



Solid State Devices, Inc.

14701 Firestone Blvd * La Mirada, Ca 90638
 Phone: (562) 404-4474 * Fax: (562) 404-1773
 ssdi@ssdi-power.com * www.ssdi-power.com

SDA240A and SDA240B

**SCHOTTKY
 120 AMPS, 35 to 45 VOLTS
 ISOLATED CENTER TAP
 COMMON CATHODE RECTIFIER**

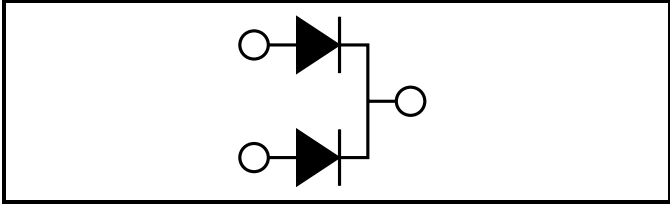
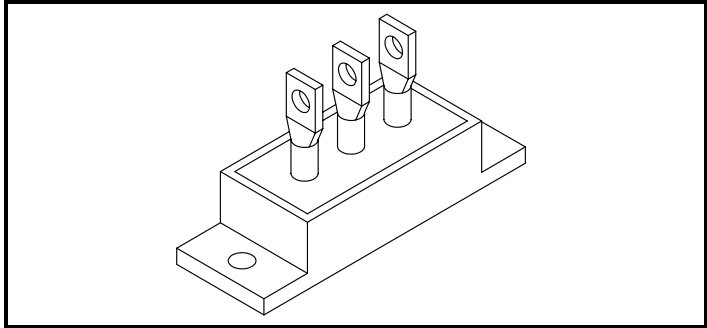
Designer's Data Sheet

Part Number/Ordering Information^{1/}
SDA240

 L **Screening^{2/}** = Not Screened
 TX = TX Level
 TXV = TXV
 S = S Level

Peak Repetitive Reverse Voltage
 A = 35 V
 B = 45 V

- FEATURES:**
- Low Forward Voltage
 - 150°C Operating Junction Temperature
 - Guard-ring for Stress Protection
 - Guaranteed Reverse Avalanche
 - Isolated Electrically
 - Dual Diode Construction can be Paralleled for Higher Current Output
 - Hermetically Sealed
 - Can be Processed to TX, TXV, or S Levels
 - Other Terminal Configurations Available



MAXIMUM RATINGS

Part Number	Peak Repetitive Reverse Voltage (per leg) and DC Blocking Voltage (per leg)	Half Wave Rectified Forward Current Averaged Over Full Cycle (per leg) Resistive Load, 60 Hz, Sine Wave, T _C = 25°C	Voltage Rate of Change (At Rated V _R)	Peak Surge Current (T _C = 55°C, 8.3 ms Pulse, Superimposed on Rated Current at Rated Voltage)	Operating and Storage Temperature
Symbol	V _{RRM} V _R	I _O	Dv/dt	I _{FSM}	T _{OP} & T _{STG}
Units	Volts	Amps	V/μs	Amps	°C
SDA240A	35	120	1000	800	-65 to +150
SDA240B	45	120	1000	800	-65 to +150

THERMAL CHARACTERISTICS

	Part Number	Symbol	Value	Unit
Thermal Resistance (Junction to Case), per leg	SDA240A	R _{θJC}	0.85	°C/W
	SDA240B	R _{θJC}	0.85	°C/W



Solid State Devices, Inc.

14701 Firestone Blvd * La Mirada, Ca 90638
 Phone: (562) 404-4474 * Fax: (562) 404-1773
 ssdi@ssdi-power.com * www.ssdi-power.com

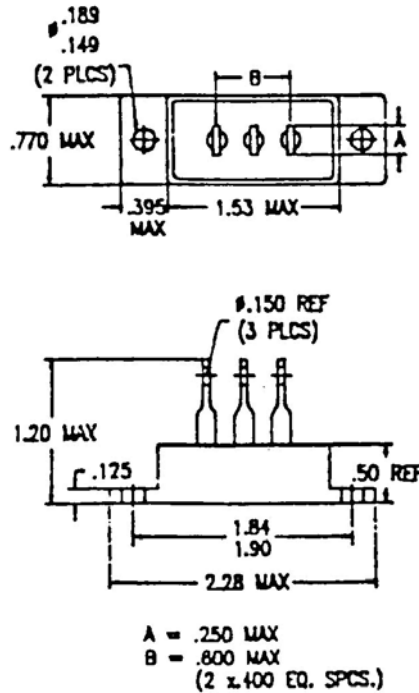
SDA240A and SDA240B

ELECTRICAL CHARACTERISTICS^{3/}

Part Number	Capacitance, per leg ($V_R = 1.0 V_{DC}$, 100 kHz < 1.0 MHz)	Maximum Reverse Leakage Current, per leg (Rated V_R , $T_C = 25^\circ C$)	Maximum Full Cycle Leakage Current Averaged Over Full Cycle, per leg (Rated V_R , 60 Hz, Square Wave, $T_C = 125^\circ C$)	Maximum Instantaneous Forward Voltage Drop, per leg ($I_F = 60 A_{DC}$)	
Symbol	C_t	I_R	$I_{R(AV)}$	V_F	
Units	pF	μA	mA	Volts	
Conditions				$T_j = 25^\circ C$	$T_j = 125^\circ C$
SDA2025	3700	300	100	0.65	0.57
SDA2026	3700	300	100	0.65	0.57

- NOTES:**
1. For Ordering Information, Price, Operating Curves, and Availability- Contact Factory.
 2. Screened to MIL-PRF-19500.
 3. Unless Otherwise Specified, All Electrical Characteristics @25°C.

SDA240 Package:



NOTE: All specifications are subject to change without notification. SCD's for these devices should be reviewed by SSDI prior to release.

DATA SHEET #: SH0046A

DOC