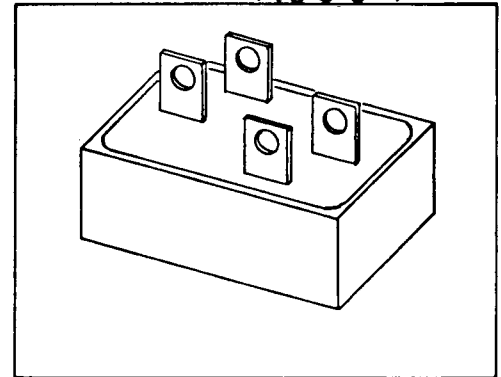


SDA263-1 FAST RECOVERY 75 AMP SINGLE PHASE BRIDGE RECTIFIER ASSEMBLY

X00096

- AVERAGE OUTPUT 75 AMPS
- PIV 50 - 1,000 VOLTS
- FAST RECOVERY, LESS THAN 200 NSEC.*
- ALUMINUM CASE
- CASE ELECTRICALLY INSULATED
- HERMETICALLY SEALED DIODE CELLS
- -55 TO +150°C OPERATING & STORAGE TEMPERATURE
- MAXIMUM THERMAL RESISTANCE 1°C/WATT
- THREADED HOLES FOR EASE OF INSTALLATION



SSDI introduces a new and complete line of high current single phase fast recovery bridge rectifier assemblies. Designed in aluminum cases to provide maximum thermal conductivity and simple installation. This series features hermetically sealed diode cells. Hi Rel versions and faster versions are also available. Consult your factory representative for engineering assistance.

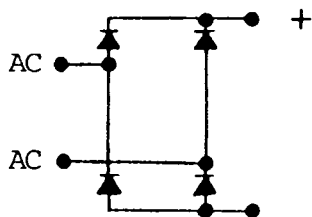
Type	PIV per leg	Sine Wave RMS input Voltage Max.	Average DC Output Amps TC = (case temp.)		Reverse * Recovery Time T _{rr} Max	Peak 1 Cycle Forward Surge	Peak Recurrent Forward	VF Max per leg @10 ADC	Reverse Current (I _R Max. per leg. @ PIV)	
			50°C	100°C					25°C	100°C
	VOLTS	VOLTS	AMPS	AMPS	ns	AMPS	AMPS	VOLTS	UA	UA
SDA263AF-1	50	35	75	54	200	375	125	1.2	5	100
SDA263BF-1	100	70	75	54	200	375	125	1.2	5	100
SDA263CF-1	200	140	75	54	200	375	125	1.2	5	100
SDA263DF-1	400	280	75	54	200	375	125	1.2	5	100
SDA263EF-1	600	420	75	54	200	375	125	1.2	5	100
SDA263FF-1	800	560	75	54	200	375	125	1.2	5	100
SDA263GF-1	1000	700	75	54	200	375	125	1.2	5	100

7/86

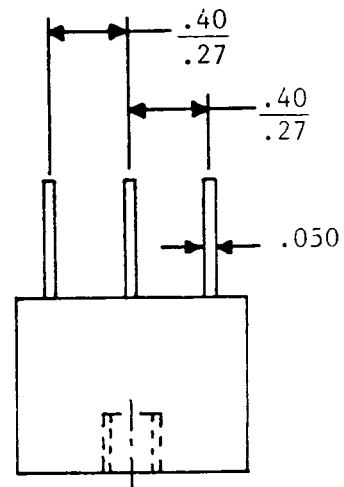
*Recovery time conditions; I_F = .5A, I_R = 1A, I_{rr} = .25A

NOTE: Specifications Subject to Change Without Notice.

SSDI SOLID STATE DEVICES, INC.



SCHEMATIC DIAGRAM



TEMPERATURE HEATING CURVE

