



**Solid State Devices, Inc.**

14701 Firestone Blvd \* La Mirada, Ca 90638  
 Phone: (562) 404-4474 \* Fax: (562) 404-1773  
 ssdi@ssdi-power.com \* www.ssdi-power.com

**SDA263AF-3 thru SDA263GF-3**

**75 AMPS 50 - 1000 VOLTS  
 FAST RECOVERY  
 THREE PHASE BRIDGE RECTIFIER**

**Designer's Data Sheet**

**Part Number/Ordering Information <sup>1/</sup>**

**SDA263** - - - -

+ **Screening <sup>2/</sup>**  
 - - - = Not Screened  
 TX = TX Level  
 TXV = TXV  
 S = S Level

+ **Bridge Type**  
 -3 = Three Phase

+ **Reverse Recovery**  
 F = Fast

+ **Peak Inverse Voltage (per leg)**  
 A = 50V, B = 100V, C = 200V, D = 400V,  
 E = 600V, F = 800V, G = 1,000V.

- FEATURES:**
- Fast Reverse Recovery Time 200 ns Max
  - Average Output Current 75 Amps @ 50 °C
  - PIV 50 to 1000 Volts Per Leg
  - Maximum Thermal Resistance 1.0 °C/W
  - Operating & Storage Temperature -55 °C to +150 °C
  - Hermetically Sealed Diode Cells
  - Threaded Holes for Ease of Installation
  - Electrically Insulated Aluminum Case
  - Available in Faster Recovery Versions
  - Available in Higher Voltages
  - TX, TXV, and S-Level Screening Available

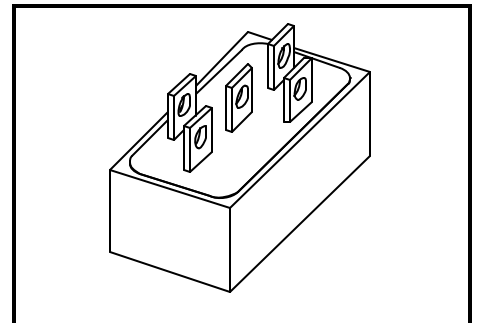
**ELECTRICAL CHARACTERISTICS <sup>3/</sup>**

Part Number	Peak Inverse Voltage (per leg)	Sine Wave RMS Input Voltage Max.	Reverse <sup>4/</sup> Recovery Time	Average DC Output Current T <sub>C</sub> =Case Temp		Peak Forward Surge Current (1 Cycle)	Peak Repetitive Forward Current	Maximum Forward Voltage (per leg) @ 10 ADC	Maximum Reverse Current (per leg) @ PIV	
				I <sub>F(AV)</sub>	I <sub>F(50°C)</sub>				I <sub>R</sub>	I <sub>R</sub>
Symbol	PIV	V <sub>r</sub>	T <sub>rr</sub>	I <sub>F(AV)</sub>	I <sub>F(50°C)</sub>	I <sub>FSM</sub>	I <sub>FRM</sub>	V <sub>F</sub>	I <sub>R</sub>	I <sub>R</sub>
Units	Volts	Volts	ns	Amps		Amps	Amps	Volts	µA	
Conditions			Max	50°C	100°C				25°C	100°C
SDA263AF-3	50	35	200	75	54	375	125	1.2	5	100
SDA263BF-3	100	70	200	75	54	375	125	1.2	5	100
SDA263CF-3	200	140	200	75	54	375	125	1.2	5	100
SDA263DF-3	400	280	200	75	54	375	125	1.2	5	100
SDA263EF-3	600	420	200	75	54	375	125	1.2	5	100
SDA263FF-3	800	560	200	75	54	375	125	1.2	5	100
SDA263GF-3	1000	700	200	75	54	375	125	1.2	5	100

**SDA263AF-3 through SDA263GF-3 Package:**

**NOTES:**

- <sup>1/</sup> For Ordering Information, Price, and Availability- Contact Factory.
- <sup>2/</sup> Screened to MIL-PRF-19500.
- <sup>3/</sup> Unless Otherwise Specified, All Electrical Characteristics @25°C.
- <sup>4/</sup> Recovery Conditions: I<sub>F</sub> = 0.5 Amp, I<sub>R</sub> = 1.0 Amp rec. to .25 Amp.



**NOTE:** All specifications are subject to change without notification. SCD's for these devices should be reviewed by SSDI prior to release.