

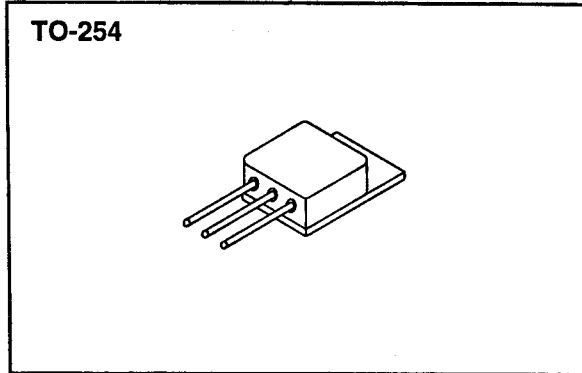
SDR4512M

Designer's Data Sheet

**45 AMP
 1200 VOLTS
 80nsec
 RECTIFIER**

- FEATURES:**
- High Voltage: 1200 Volts Max.
 - Ultra Fast Recovery: 80 nsec Maximum
 - Higher Surge Ratings available
 - Hermetically Sealed
 - Gold Eutectic Die Attach available
 - Ultrasonic Aluminum Wire Bonds

 - TX, TXV and Space Level Screening Available



MAXIMUM RATINGS

RATING	SYMBOL	VALUE	UNIT
Peak Repetitive Reverse and DC Blocking Voltage SDR4512M	VRRM VRWM VR	1200	Volts
Average Rectified Forward Current (Resistive Load, 60Hz, Sine Wave, TA=25°C)	IO	45	Amps
Peak Surge Current (8.3 ms Pulse, Half Sine Wave, TA=25°C)	IFSM	400	Amps
Operating and storage temperature	Top & Tstg	-65 to +200	°C
Maximum Thermal Resistance Junction to Case	RθJC	0.8	°C/W

