

Rectifier Diodes for Alternators

Part No.	Absolute maximum ratings				Electrical Characteristics					Fig. No.
	V_{RM} (V)	I_F (AV) (A)	I_{FSM} (A)	T_{stg} (°C)	V_F (V)	I_R (mA)	V_Z (V)	Condition I_Z (mA)		
					max				Condition I_F (A)	
SG-9CNS	200	20	200	-40 to +150	1.10	20	0.25	—	—	1
SG-9CNR										
SG-9LCNS	200	20	300	-40 to +150	1.10	30	0.25	—	—	2
SG-9LCNR										
SG-9LLCNS	200	35	350	-40 to +150	1.10	35	0.25	—	—	2
SG-9LLCNR										

External Dimensions (unit: mm)

Fig. 1

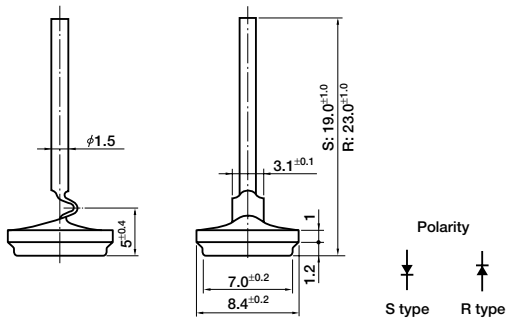


Fig. 2

