

NOTES

1.0 COMPLIES WITH THE EUROPEAN DIRECTIVE 2002/95/EC, CALLING FOR THE ELIMINATION OF LEAD AND OTHER HAZARDOUS SUBSTANCES FROM ELECTRONIC PRODUCTS.

ELECTRICAL SPECIFICATIONS:

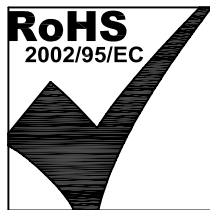
OPERATING TEMPERATURE RANGE: -40° C TO 85° C

CURRENT CARRYING CAPABILITY ON UNUSED PAIRS: 3A MAX P9 & P10

1.5A MAX J4, J5, J7, & J8

1.0 TURNS RATIO: (P2-P3) : (J1-J2) : 1CT : 1CT ± 3%
 (P4-P7) : (J3-J6) : 1CT : 1CT ± 3%

2.0 INDUCTANCE: (P2-P3) : 350uH MIN. @ 0.1V, 100KHz, 8mA DC Bias
 (P4-P7) : 350uH MIN. @ 0.1V, 100KHz, 8mA DC Bias



Bel Stewart Connector
 11118 Susquehanna Trail, South
 Glen Rock, Pa 17327-9199
 717.234.7512

MagJack®

<http://www.stewartconnector.com>

THIS DRAWING AND THE SUBJECT MATTER SHOWN THEREON ARE CONFIDENTIAL AND PROPERTY OF BEL STEWART CONNECTOR AND SHALL NOT BE REPRODUCED, COPIED, OR USED IN ANY MANNER WITHOUT PRIOR WRITTEN CONTENT OF BEL STEWART CONNECTOR. THE SUBJECT MATTER MAY BE PATENTED OR A PATENT MAY BE PENDING.

SHEET 1 OF 3

DRAWING NO. SI-46012-F

REV. X1

ELECTRICAL SPECIFICATIONS:

- 3.0 DC RESISTANCE: (P2-P3); (P4-P7) : 1.2 OHMS
(J1-J2); (J3-J6) : 1.2 OHMS
- 4.0 RETURN LOSS: (P2-P3)=100 OHMS REF. AND (P4-P7)=100 OHM REF.
1MHz TO 30MHz : 18dB MIN.
31MHz TO 80MHz : 12dB MIN.
- 5.0 INSERTION LOSS: RS & RL =100 ohms
1MHz TO 100MHz : 1.1 dB TYP
- 6.0 CROSS TALK: 1MHz - 100 MHz : 35 dB TYP
- 7.0 DIFFERENTIAL TO COMMON MODE ATTENUATION:
1MHz TO 100MHz : 40dB TYP
- 8.0 DIELECTRIC WITHSTAND: (P2-P3) TO (J1-J2) : 1500 VAC
(P4-P7) TO (J3-J6) : 1500 VAC

Bel Stewart Connector
11118 Susquehanna Trail, South
Glen Rock, Pa 17327-9199
717.234.7512

MagJack[®]

<http://www.stewartconnector.com>

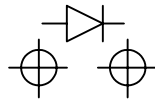
THIS DRAWING AND THE SUBJECT MATTER SHOWN THEREON ARE CONFIDENTIAL AND PROPERTY OF BEL STEWART CONNECTOR AND SHALL NOT BE REPRODUCED, COPIED, OR USED IN ANY MANNER WITHOUT PRIOR WRITTEN CONTENT OF BEL STEWART CONNECTOR. THE SUBJECT MATTER MAY BE PATENTED OR A PATENT MAY BE PENDING.

SHEET
2 OF 3

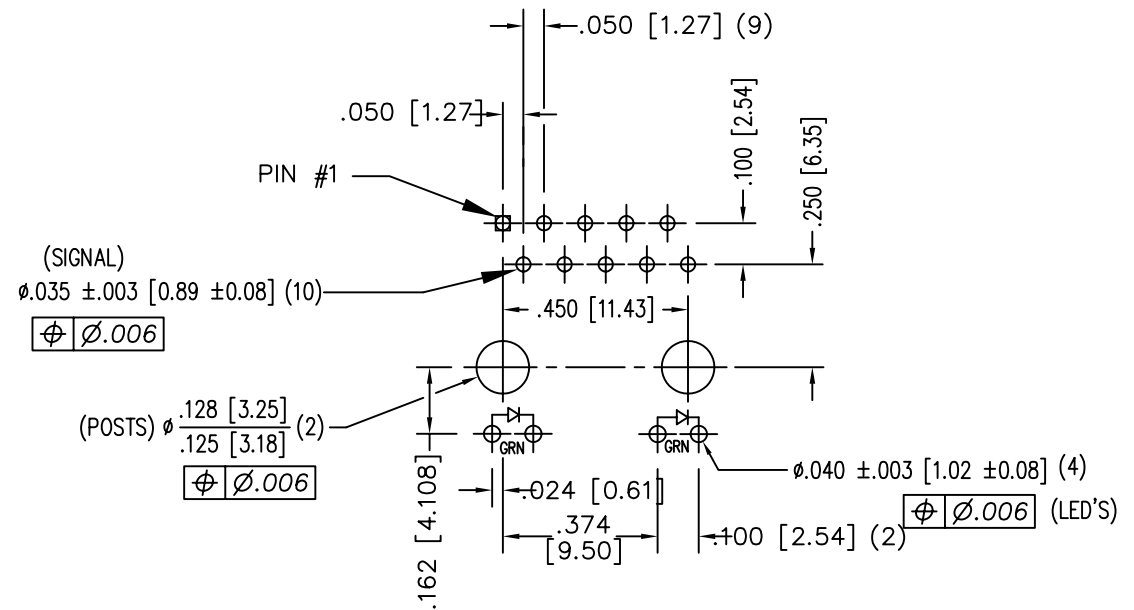
DRAWING NO. SI-46012-F

REV. X1

LED POLARITY
(ENLARGED VIEW)

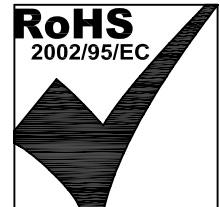


SINGLE COLOR LED



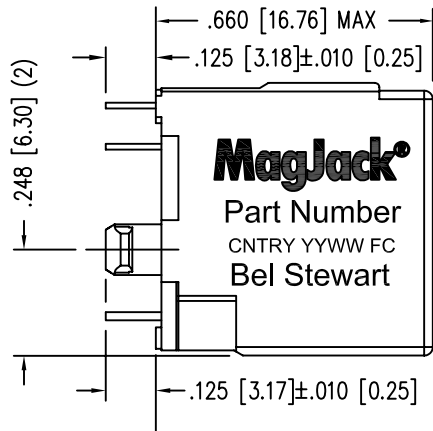
P.C.B. RECOMMENDED HOLE LAYOUT
SEEN FROM COMPONENT SIDE

ALL CENTERLINE DIMENSIONS ARE BASIC.

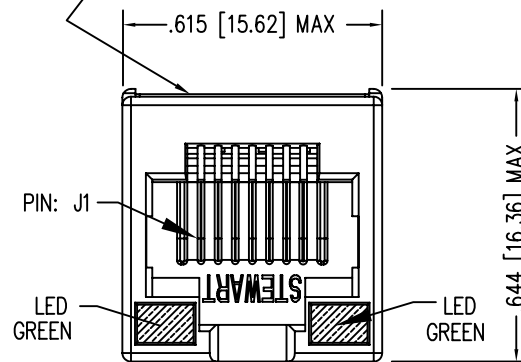


NOTES:

- CONNECTOR MATERIALS:
HOUSING: THERMOPLASTIC UL94 V-0
CONTACT: COPPER ALLOY
CONTACT PLATING: SELECTIVE GOLD,
50 MICRO-INCHES MIN. IN CONTACT AREA.
- PIN NOT ELECTRICALLY CONNECTED MAYBE OMITTED.
SEE ELECTRICAL DRAWING FOR OMITTED PINS.
- TOLERANCES COMPLY WITH F.C.C. DIMENSION REQUIREMENTS.
- ALL TOLERANCES NOT OTHERWISE SPECIFIED TO BE ±.005 [0.13]
- WAVE SOLDER COMPATIBLE - PREHEAT 125°C/90SECS.



MAGNETIC COMPONENT CAVITY IS
FILLED WITH POTTING COMPOUND



LED SPECIFICATIONS

STANDARD LED	* FORWARD VOLTAGE (MAX)	* FORWARD VOLTAGE (TYP)	POWER DISSIPATION	WAVELENGTH	LUMINOUS INTENSITY @ 10mA	
					MIN	MAX
GREEN DIFFUSED	2.6 V	2.25 V	105 mW	555 nm	2 MCD	8 MCD

* WITH A FORWARD CURRENT OF 20 mA

Bel Stewart Connector

11118 Susquehanna Trail, South
Glen Rock, Pa 17327-9199
717.234.7512

MagJack

<http://www.stewartconnector.com>

THIS DRAWING AND THE SUBJECT MATTER SHOWN THEREON ARE CONFIDENTIAL AND PROPERTY OF BEL STEWART CONNECTOR AND SHALL NOT BE REPRODUCED, COPIED, OR USED IN ANY MANNER WITHOUT PRIOR WRITTEN CONTENT OF BEL STEWART CONNECTOR. THE SUBJECT MATTER MAY BE PATENTED OR A PATENT MAY BE PENDING.

SHEET
3 OF 3

DRAWING NO.
SI-46012-F

REV.
01