

2.00mm (0.079") PITCH CONNECTOR

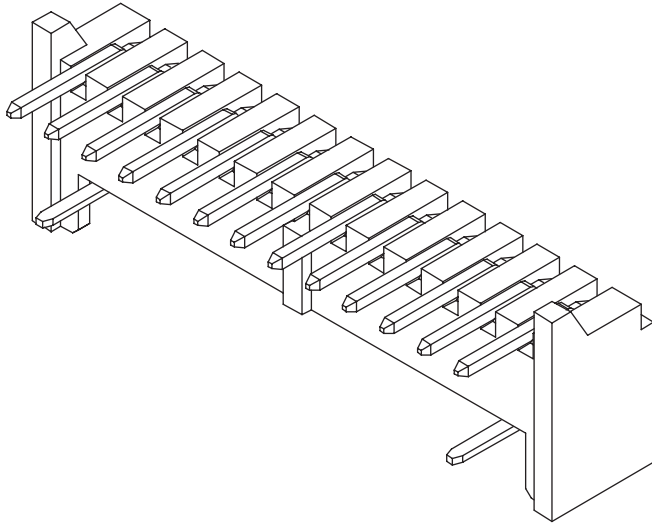


Wire-to-Board
Wafer

SMAW200A Series

DIP

Right Angle

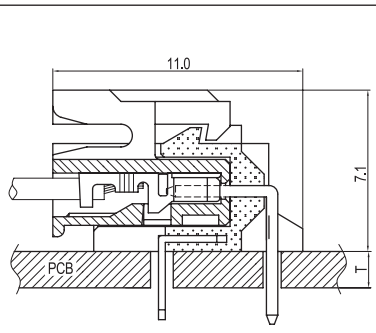
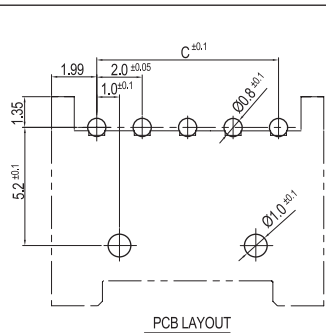
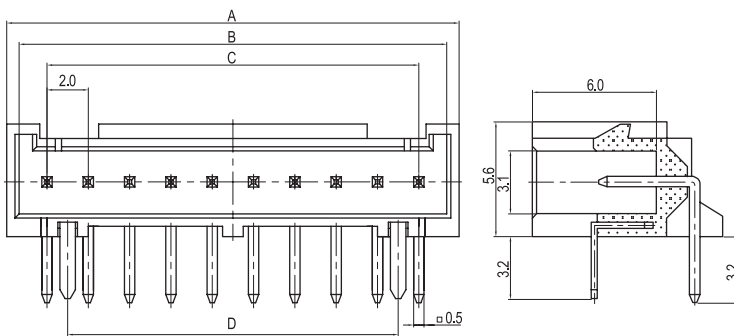
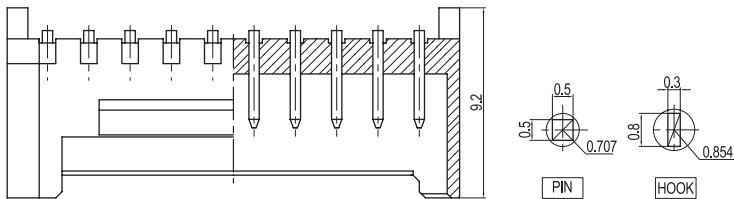


Material

I/NO	DESCRIPTION	TITLE	MATERIAL
1	WAFER	SMAW200A	PA66, UL 94V Grade
2	PIN		Brass & Tin Plated
3	HOOK		Brass & Tin Plated

Available Pin

PARTS NO.	A	B	C	D
SMAW200A-02P	5.98	4.75	2.0	-
SMAW200A-03P	7.98	6.75	4.0	-
SMAW200A-04P	9.98	8.75	6.0	4.00
SMAW200A-05P	11.98	10.75	8.0	6.00
SMAW200A-06P	13.98	12.75	10.0	8.00
SMAW200A-07P	15.98	14.75	12.0	10.00
SMAW200A-08P	17.98	16.75	14.0	12.00
SMAW200A-09P	19.98	18.75	16.0	14.00
SMAW200A-10P	21.98	20.75	18.0	16.00
SMAW200A-11P	23.98	22.75	20.0	18.00
SMAW200A-12P	25.98	24.75	22.0	20.00
SMAW200A-13P	27.98	26.75	24.0	22.00
SMAW200A-14P	29.98	28.75	26.0	24.00
SMAW200A-15P	31.98	30.75	28.0	26.00



Specification

ITEM	SPEC
Voltage Rating	AC/DC 250V
Current Rating	AC/DC 3A
Operating Temperature	-25°C~+85°C
Contact Resistance	30mΩ MAX
Withstanding Voltage	AC1000V/1min
Insulation Resistance	1000MΩ MIN
Applicable Wire	-
Applicable P.C.B	-
Applicable FPC/FFC	1.2~1.6mm
Solder Height	-
Crimp Tensile Strength	-
UL FILE NO	-