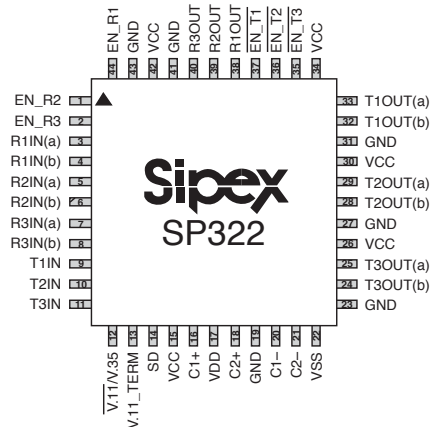


Programmable V.11/V.35 Transceiver

- +5V Only Operation
- Programmable V.11 or V.35 Selection
- Three Differential V.11 Transceivers in V.11 Mode
- Three Differential V.35 Transceivers in V.35 Mode
- No External Resistor Termination for Compliant V.35 Operation
- V.11 Cable Termination (approx. 120Ω) Internally Configured in V.11 Mode
- Tri-State capability on drivers and receivers
- Ideal low cost solution for X.25 or Frame Relay Serial Ports

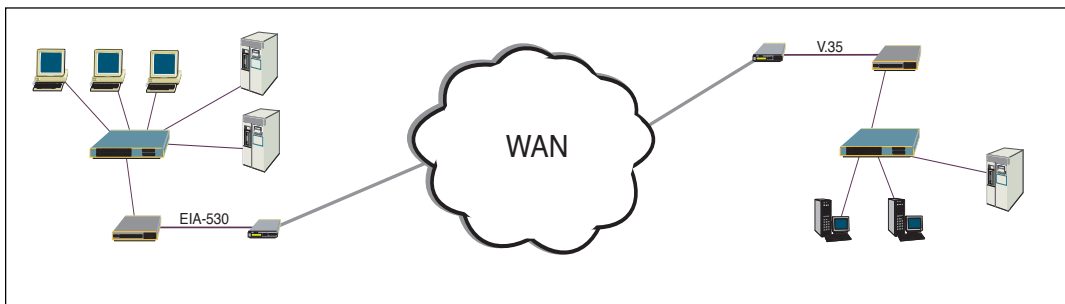


Now Available in Lead Free Packaging

DESCRIPTION

The **SP322** is a programmable V.11 or V.35 transceiver IC. The **SP322** contains three drivers and three receivers when selected in each mode. The selection is done by the V.11/V.35 select pin. The V.11 transceivers can typically operate at 10Mbps while adhering to the ITU V.11 specifications. The V.35 transceivers can operate up to 10Mbps while adhering to the ITU V.35 specifications.

The **SP322** contains internal resistor termination for compliant V.35 operation as well as the V.11 termination on the receiver inputs for optional cable termination. Each **SP322** driver contains a control pin which disables the output and places the output pins in a high impedance state. Each receiver also has a control pin which places the receiver outputs in a high impedance state. The enable pins will disconnect the internal termination network for whichever mode the **SP322** is selected. For the receivers, the enable pin will place the input pins in a high impedance (approx. 15kΩ). This allows for convenient DTE-DCE configuration by connecting the driver outputs to the receiver inputs, thus allowing the enable pins to select the desired DTE or DCE operation



ABSOLUTE MAXIMUM RATINGS

These are stress ratings only and functional operation of the device at these ratings or any other above those indicated in the operation sections of the specifications below is not implied. Exposure to absolute maximum rating conditions for extended periods of time may affect reliability.

V_{CC}+7V
 Storage Temperature.....-65°C to +150°C
 Power Dissipation
 44-pin Plastic QFP.....150mW
 Package Derating:
 44-pin Plastic QFP
 θ_{JA}52°C/W



CAUTION:
 ESD (ElectroStatic Discharge) sensitive device. Permanent damage may occur on unconnected devices subject to high energy electrostatic fields. Unused devices must be stored in conductive foam or shunts. Personnel should be properly grounded prior to handling this device. The protective foam should be discharged to the destination socket before devices are removed.

ELECTRICAL CHARACTERISTICS

Typically 25°C @ $V_{CC} = +5V$ unless otherwise noted.

	MIN.	TYP.	MAX.	UNITS	CONDITIONS
LOGIC INPUTS					
V_{IL} V_{IH}	2.0		0.8	Volts Volts	
LOGIC OUTPUTS					
V_{OL} V_{OH}	2.4		0.4	Volts Volts	$I_{OUT} = -3.2mA$ $I_{OUT} = 1.0mA$
V.35 DRIVER					
DC Characteristics					
Outputs					
Test Terminated Voltage	±0.44	±0.55	±0.66	Volts	per Figure 10
Source Impedance	50	100	150	Ω	per Figure 11
Short Circuit Impedance	135	150	165	Ω	per Figure 12
Offset			±0.6	Volts	per Figure 10
AC Characteristics					
Outputs					
Transition Time			40	ns	per Figure 13; 10% to 90%
Propagation Delay					
t_{PHL}	40	70	100	ns	per Figures 18 and 19
t_{PLH}	40	70	100	ns	per Figures 18 and 19
Max. Transmission Rate	10			Mbps	per Figures 18 and 19
V.35 RECEIVER					
DC Characteristics					
Inputs					
Input Sensitivity		±80		mV	
Input Impedance	90	100	110	Ω	per Figure 14
Short Circuit Impedance	135	150	165	Ω	per Figure 15
AC Characteristics					
Inputs					
Propagation Delay					
t_{PHL}	50	100	150	ns	per Figures 18 and 21
t_{PLH}	50	100	150	ns	per Figures 18 and 21
Max. Transmission Rate	10			Mbps	per Figure 18

ELECTRICAL CHARACTERISTICS

Typically 25°C @ V_{CC} = +5V unless otherwise noted.

	MIN.	TYP.	MAX.	UNITS	CONDITIONS
V.11 DRIVER					
DC Characteristics					
Outputs					
Open Circuit Voltage			±6.0	Volts	per Figure 1
Test Terminated Voltage	±2.0		±5.0	Volts	per Figure 2
	0.5V _{CC}		0.67V _{CC}	Volts	
Balance			±0.4	Volts	per Figure 2
Offset			±3.0	Volts	per Figure 2
Short-Circuit Current			±150	mA	per Figure 3
Power-Off Current			±100	µA	per Figure 5
AC Characteristics					
Outputs					
Transition Time			20	ns	per Figure 4; 10% to 90%
Propagation Delay					Using C _L =50pF
t _{PHL}	50	80	100	ns	per Figures 18 and 19
t _{PLH}	50	80	100	ns	per Figures 18 and 19
Differential Skew		20	40	ns	per Figures 18 and 19
Max. Transmission Rate	10			Mbps	
V.11 RECEIVER					
DC Characteristics					
Inputs					
Common Mode Range	-7		+7	Volts	
Sensitivity			±0.3	Volts	
Input Current			±3.25	mA	per Figures 6 and 7
Current w/ 100Ω Term.			±60.75	mA	per Figures 8 and 9
AC Characteristics					
Inputs					
Propagation Delay					Using C _L =50pF
t _{PHL}	50	110	150	ns	per Figures 18 and 21
t _{PLH}	50	110	150	ns	per Figures 18 and 21
Differential Skew		20		ns	per Figure 18
Max. Transmission Rate	10			Mbps	
ENABLE TIMING					
Driver					
Enable Time					
Enable to Low		90	500	ns	See Figures 16 and 20
Enable to High		90	500	ns	C _L =15pF, S ₁ Closed
Disable Time					C _L =15pF, S ₂ Closed
Disable From Low		90	500	ns	See Figures 16 and 20
Disable From High		90	500	ns	C _L =15pF, S ₁ Closed
Receiver					
Enable Time					
Enable to Low		90	500	ns	See Figures 17 and 22
Enable to High		90	500	ns	C _L =15pF, S ₁ Closed
Disable Time					C _L =15pF, S ₂ Closed
Disable From Low		90	500	ns	See Figures 17 and 22
Disable From High		90	500	ns	C _L =15pF, S ₁ Closed
POWER REQUIREMENTS					
Supply Voltage V _{CC}	+4.75		+5.25	Volts	
Supply Current I _{CC}					
Shutdown		4		µA	
V.35 Mode		45		mA	Driver outputs loaded with 100Ω
V.11 Mode		95		mA	Driver outputs loaded with 100Ω

TEST CIRCUITS...

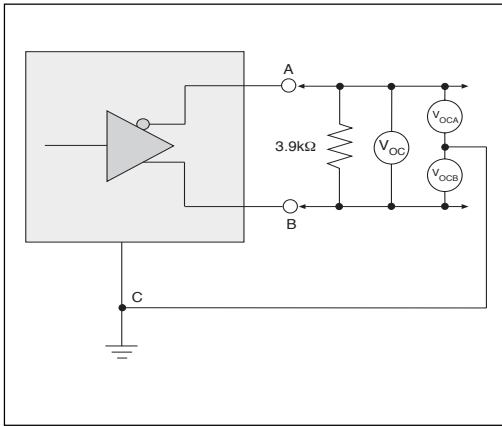


Figure 1. V.11 Driver Output Open-Circuit Voltage

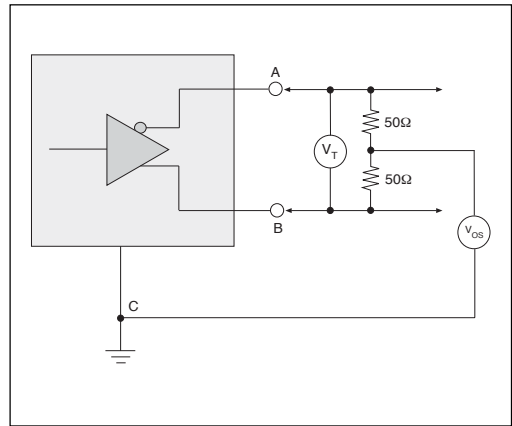


Figure 2. V.11 Driver Output Test Terminated Voltage

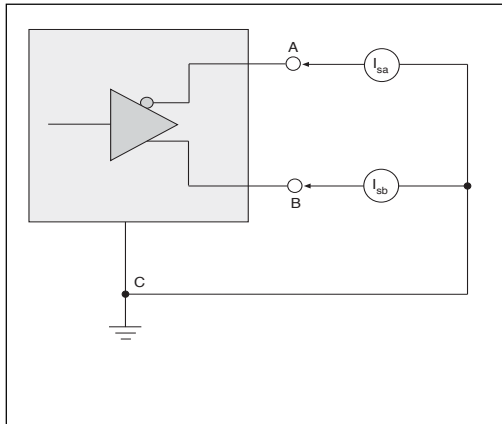


Figure 3. V.11 Driver Output Short-Circuit Current

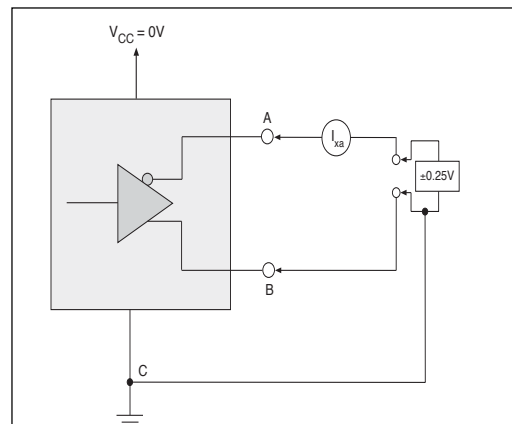


Figure 4. V.11 Driver Output Rise/Fall Time

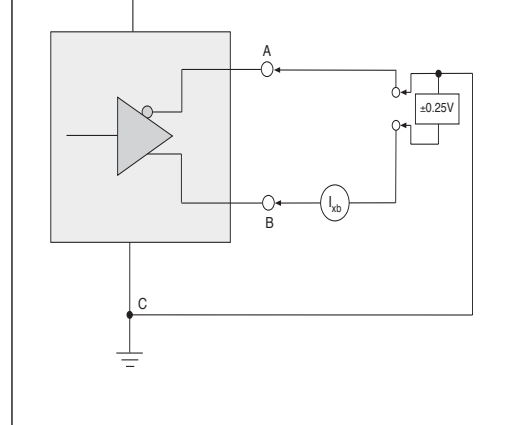
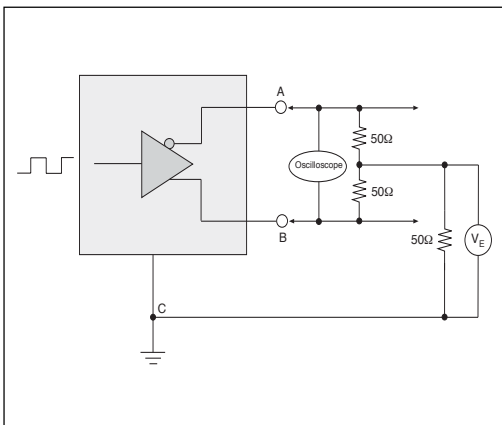


Figure 5. V.11 Driver Output Power-Off Current

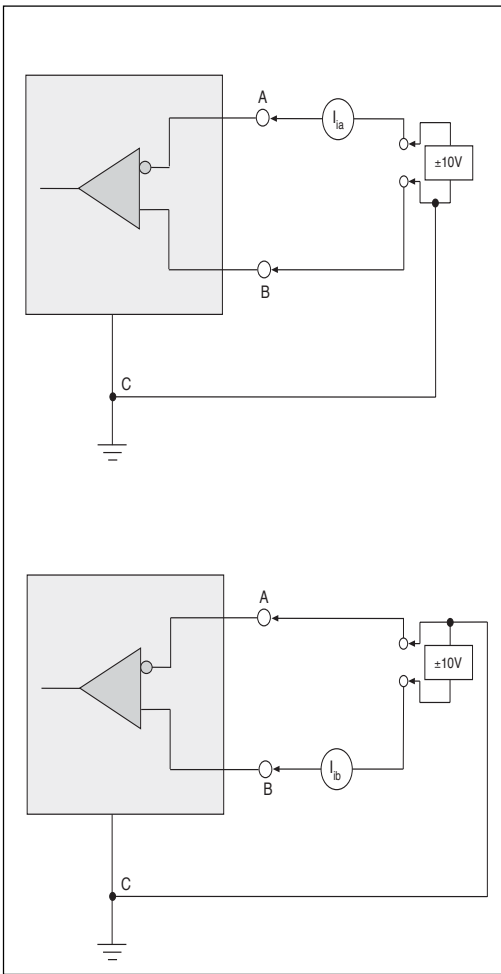


Figure 6. V.11 Receiver Input Current

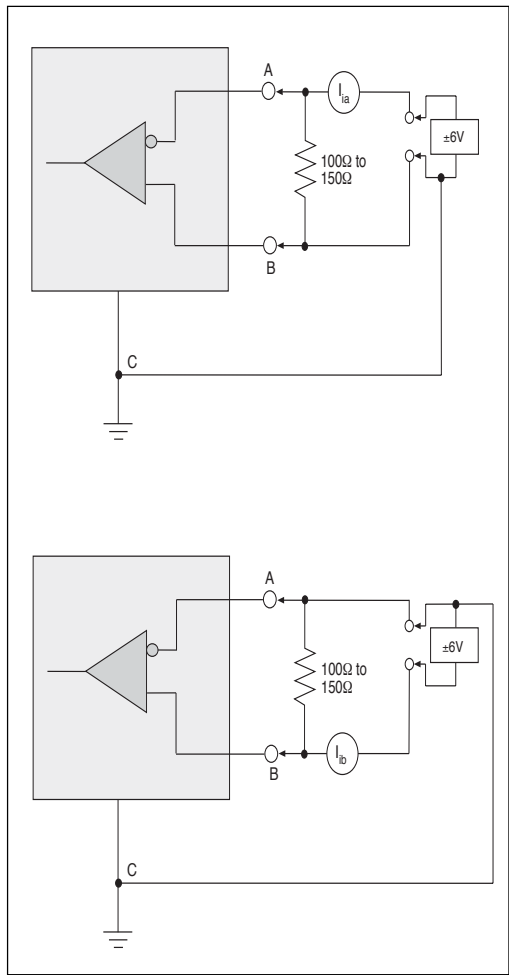


Figure 8. V.11 Receiver Input Current w/ Termination

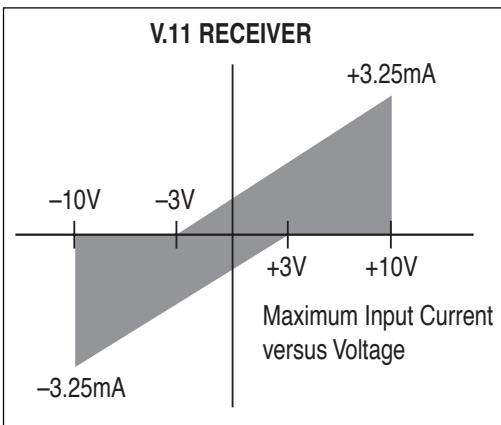


Figure 7. V.11 Receiver Input IV Graph

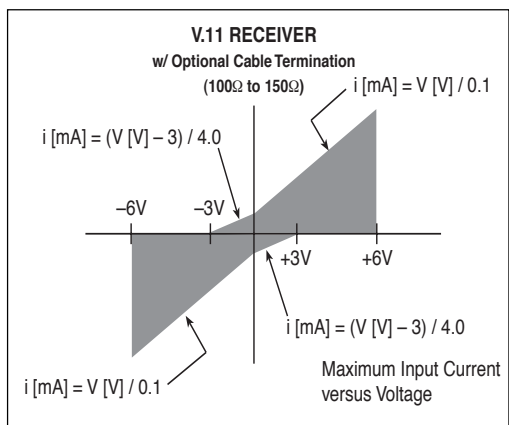


Figure 9. V.11 Receiver Input Graph w/ Termination

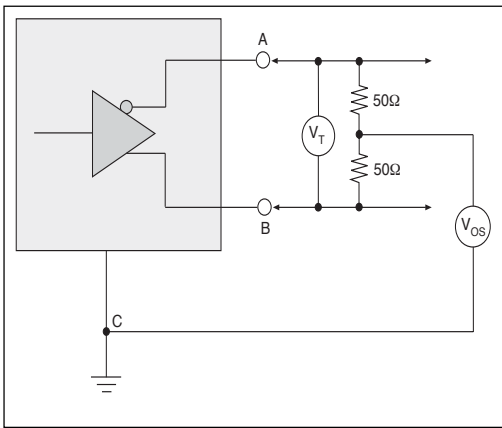


Figure 10. V.35 Driver Output Test Terminated Voltage

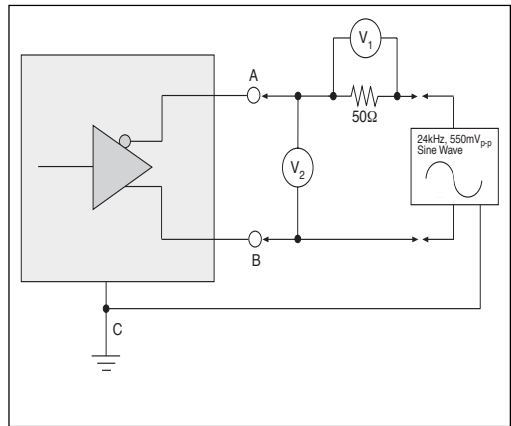


Figure 11. V.35 Driver Output Source Impedance

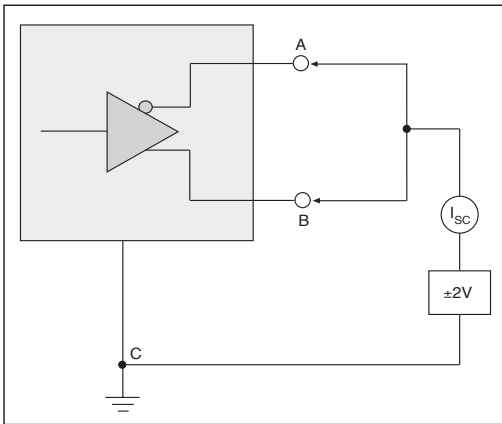


Figure 12. V.35 Driver Output Short-Circuit Impedance

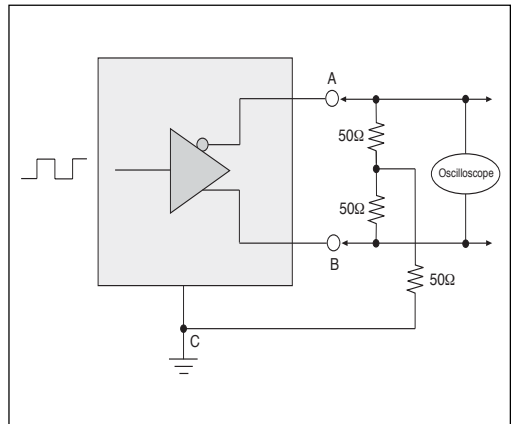


Figure 13. V.35 Driver Output Rise/Fall Time

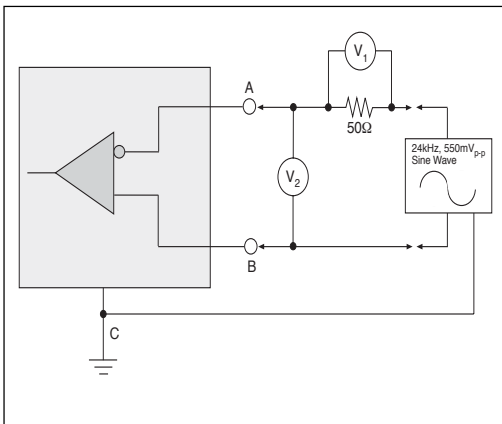


Figure 14. V.35 Receiver Input Source Impedance

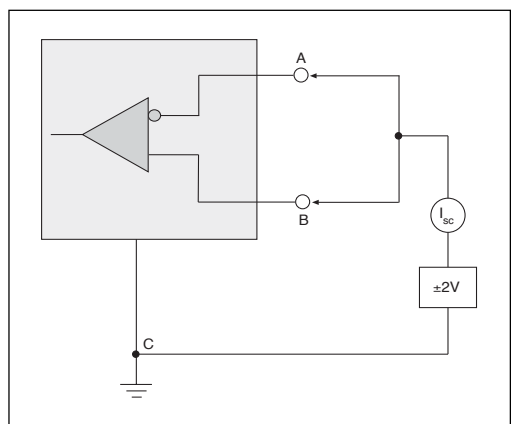


Figure 15. V.35 Receiver Input Short-Circuit Impedance

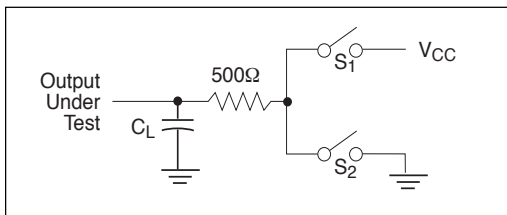


Figure 16. Driver Timing Test Load #2 Circuit

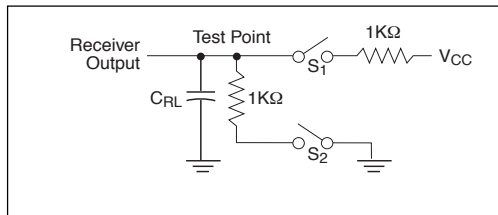


Figure 17. Receiver Timing Test Load Circuit

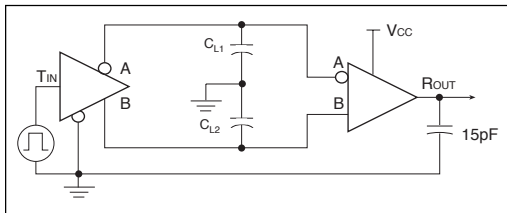


Figure 18. Driver/Receiver Timing Test Circuit

SWITCHING WAVEFORMS...

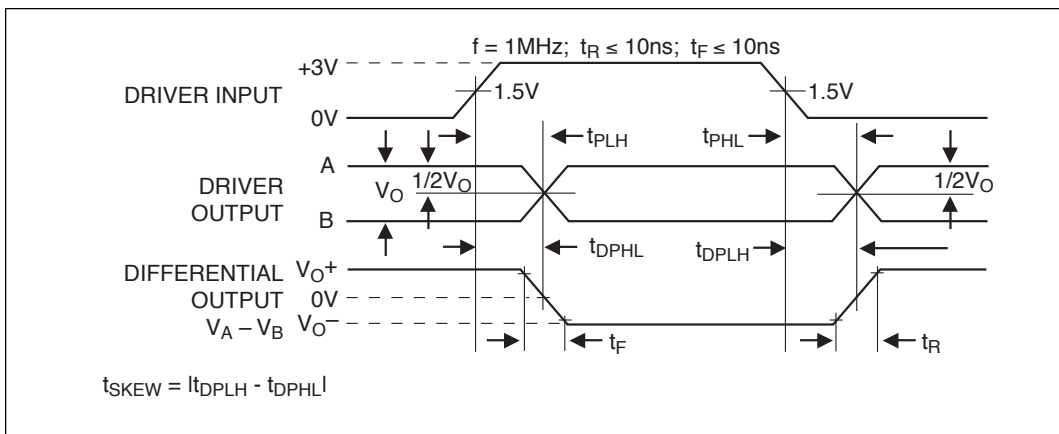


Figure 19. Driver Propagation Delays

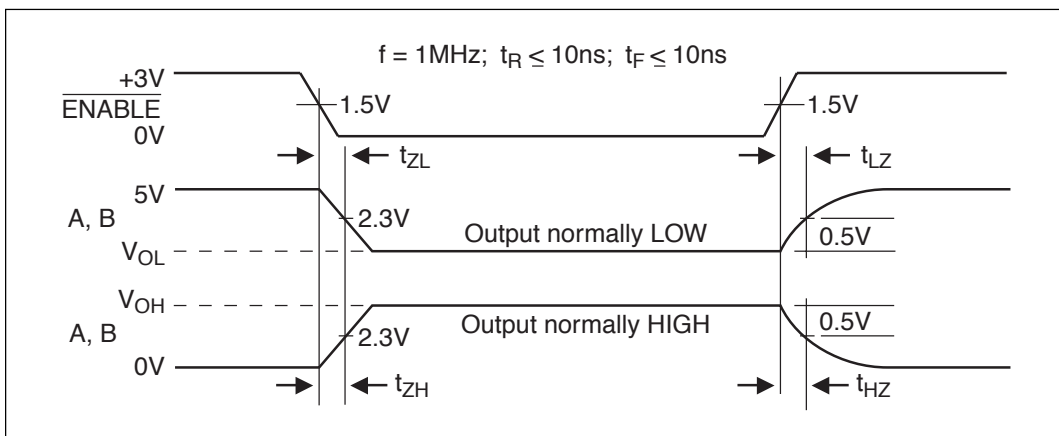


Figure 20. Driver Enable and Disable Times

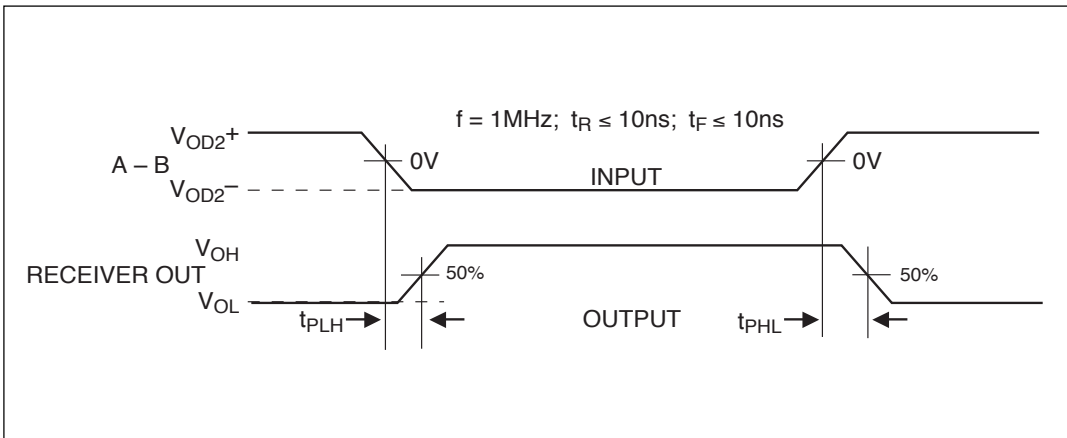


Figure 21. Receiver Propagation Delays

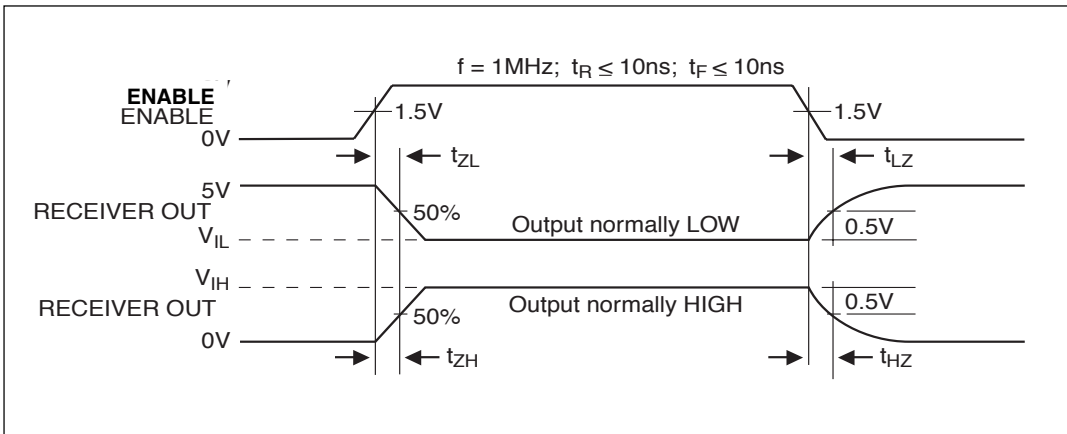


Figure 22. Receiver Enable and Disable Times

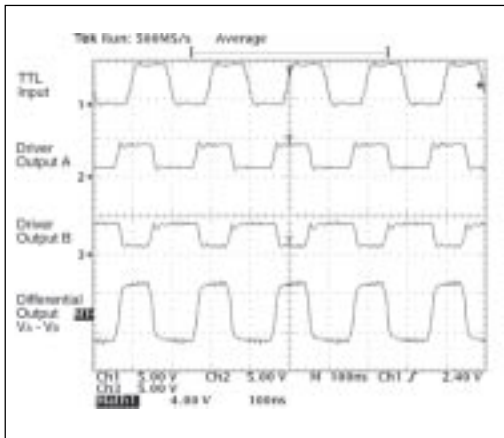


Figure 23. Typical V.11 Driver Output

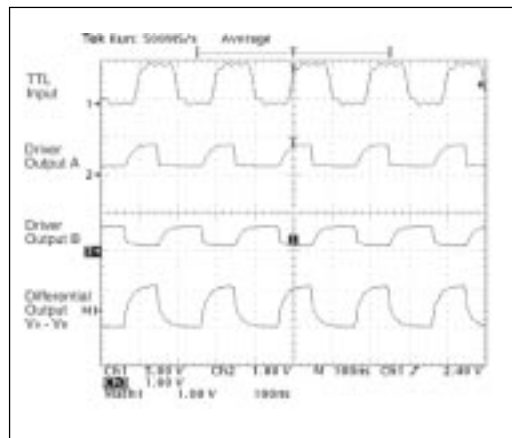


Figure 24. Typical V.35 Driver Output

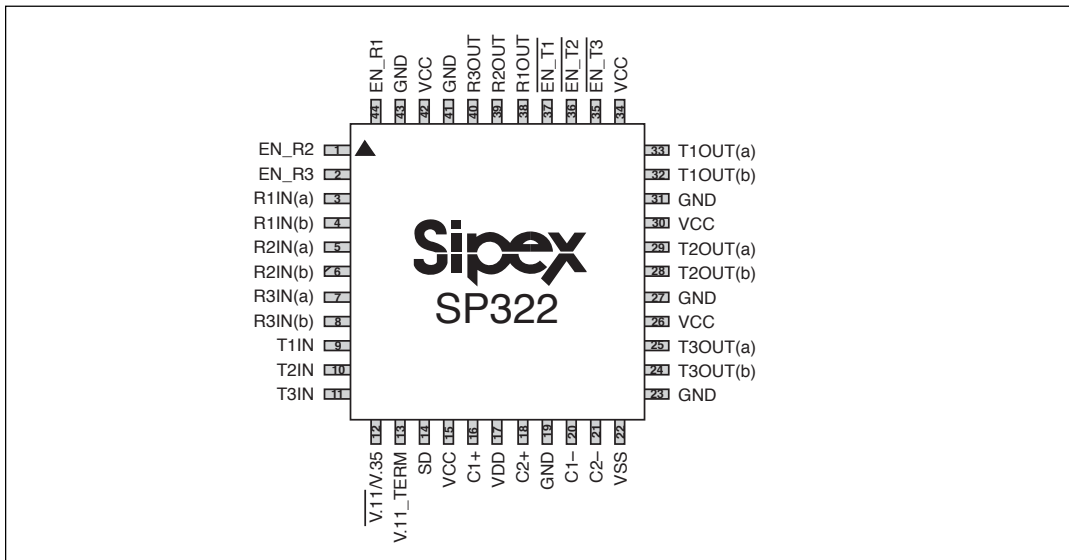


Figure 25. SP322 Pinout

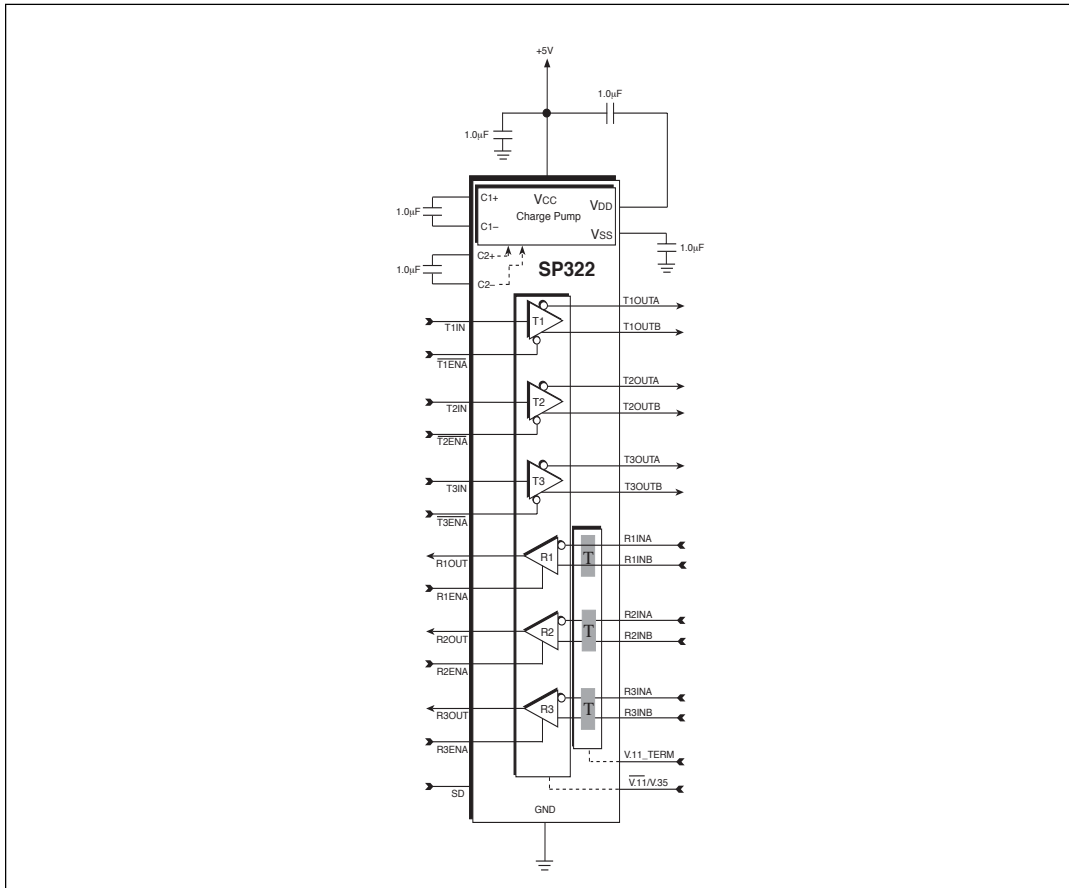


Figure 26. SP322 Typical Operating Circuit

THEORY OF OPERATION

The **SP322** is a programmable V.11 or V.35 transceiver IC. It contains three driver and three receivers which can be configured to either V.11 or V.35 physical layer electrical characteristics. The transceivers within the **SP322** include all the necessary termination resistor networks required for compliant V.11 and V.35 signals. This simplifies serial port designs using V.11 or V.35 where the engineer does not have to configure V.11 cable termination resistors and the V.35 network.

The **SP322** contains four basic blocks: the charge pump, differential drivers, differential receivers, termination network circuitry. Each block is described in the following.

Charge-Pump

The **SP322** charge pump is smaller version of the **Sipex**-patented design (U.S. 5,306,954). The charge pump still requires four external capacitors and uses a four-phase voltage shifting technique to attain symmetrical 10V power supplies. But the pump is only used for providing internal biasing for the transceivers and the termination circuitry. The V_{DD} and V_{SS} outputs provide only 3mA of output current and should not be connected to bias other external circuitry.

Recommended charge pump capacitor values are 1 μ F or greater. The internal oscillator provides a clock rate for the charge pump which typically operates at 15kHz.

Drivers

The **SP322** has three differential drivers. There are two types of drivers included within the **SP322**: V.11 drivers and V.35 drivers.

When configured in V.11 mode, the V.11 drivers produce a differential output compliant with the V.11 and RS-422 electrical specifications. This includes all the DC electrical parameters such as V_{OC} , V_T , V_{OS} , etc. The strength of the **SP322** drivers allow them to also drive signals per the RS-485 standard. The V_T minimum of $\pm 1.5V$ is provided by the driver output given a load of 54 Ω as opposed to $\pm 2.0V$ with a 100 Ω load for RS-422. However, the drivers are not intended to operate over the RS-485 common mode range of +12V to -7V. The common

mode range for the V.11 drivers is +7V to -7V which is in accordance to the ITU V.11 specification.

When in V.35 mode, the drivers provide V.35 signals compliant to the ITU V.35 electrical specification. Specifically, the V.35 driver is designed to supply a differential output of $\pm 0.55V$ with an offset of less than 0.6V. With **Sipex's** patent-pending V.35 driver design, the driver also adheres to impedance measurements such as driver output source impedance (100 $\Omega \pm 50\Omega$) and driver output short-circuit impedance (150 $\Omega \pm 15\Omega$). Traditional V.35 drivers require a resistor network to provide the proper V.35 impedance specifications for the driver outputs. The **SP322** V.35 driver does this without the aid of any external components attached to the driver output. Its unique design contains internal resistance matching and switching to provide compliant V.35 signals.

Each driver includes an enable pin for added convenience. The driver enable pins are low active and will tri-state the driver outputs if a logic "1" is applied. During this state, the drivers are high impedance. The enable pins include a pull-down resistor so that the pin can be unconnected where the driver will always be enabled. Regardless of physical protocol, the drivers can operate to at least 10Mbps.

Receivers

The **SP322** has three differential receivers which are used for either V.11 or V.35. The receivers have a 200mV sensitivity and operate over the common mode range of +7V to -7V. The receiver itself is the same in either V.11 or V.35 mode. The receiver input termination is configured differently for each mode (V.11/V.35 pin).

The receivers also include enable pins for convenience. The receiver enable pins are high active where a logic "0" will tri-state the receiver outputs. During tri-state, the receiver inputs are approximately 12k Ω . Any termination associated with the operating mode is disconnected during tri-state of that receiver. The receiver enable pins have a pull-up resistor that allows the pins to be unconnected. The receiver will always be active in this case. The differential receiver can operate to at least 10Mbps.

Termination Circuitry

Unique to **Sipex**, the **SP322** provides internal resistor networks for V.35 as well as the cable termination for V.11. The resistor network for the V.35 receivers are configured as a typical V.35 receiver using two 51Ω resistors in series tied to the A and B inputs with a 124Ω center-tap resistor to ground. The network is internally switched on during V.35 mode ($\overline{V.11/V.35} = V_{CC}$) using high performance, low r_{ON} transistors. The transistors can operate efficiently over +7V to -7V, and can tolerate over +10V to -10V without damage. This termination provides the proper V.35 receiver input impedance of 100Ω and short-circuit impedance at 2V of 150Ω with 10% accuracy.

The configuration for the V.11 receiver input resistor network is similar to the V.35 network except that the 124Ω resistor is disconnected ($\overline{V.11/V.35} = 0V$). A series resistor is also added increase the input impedance to over 120Ω for the V.11 cable termination. The minimum resistance per the ITU V.11 specification is 100Ω . The V.11 termination can be switched off using the V.11_TERM pin. For a terminated V.11 receiver, this pin is at a logic "1". A logic "0" will inform the switches to disconnect the V.11 termination.

Shutdown

The **SP322** includes a shutdown pin (SD) which disables the charge pump and all power consuming circuitry to provide low I_{CC} . A logic "1" to the SD pin will shut down the **SP322** where it will draw less than $20\mu A$ of current.

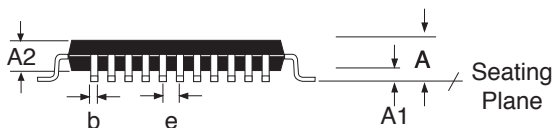
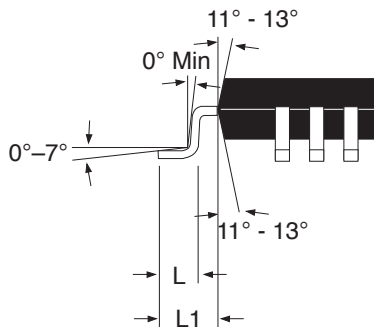
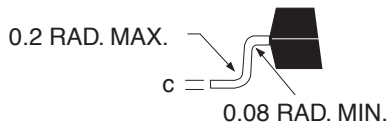
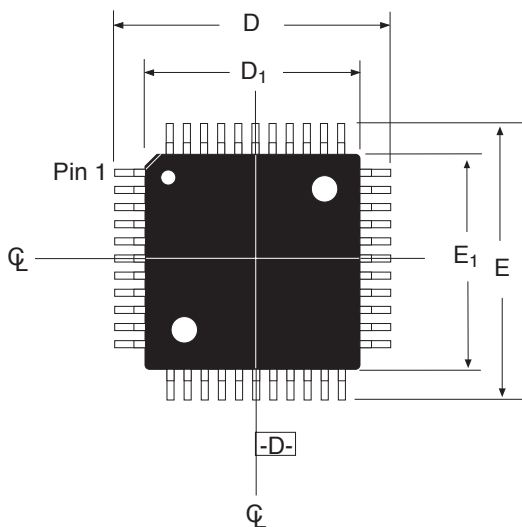
NET1/2 European Compliancy

As with all of **Sipex's** previous multi-protocol transceiver ICs, the **SP322** drivers and receivers have been designed to meet all electrical specifications for ITU V.11 and V.35. Furthermore, it is internally tested and will pass the NET1/2 physical layer testing requirements. Please note that although the **SP322** adheres to NET1/2 testing, any complex or unusual configuration should be double-checked to ensure NET compliance. Consult factory for details.

Applications Information

The **SP322** is designed for serial port applications needing V.11 and V.35 transceivers. The **SP322** supports a variety of physical layer protocols such as EIA-530, EIA-530A, RS-449, and V.36 where V.11 transceivers are used for clock and data signals. The termination resistors are recommended for crosstalk and reflections elimination under higher speed operation. Internal termination solves many headaches and configuration hassles with implementing V.11 and V.35. The **SP322** provides a simple, low-cost solution for the clock and data lines for synchronous serial ports. The handshaking lines such as CTS, DTR, etc. can be implemented using discrete RS-422 or RS-232 transceivers, depending on the mode supported. **Sipex** supplies either differential (V.11) or single-ended (V.28) discrete transceiver products to mate with the **SP322**.

PACKAGE: 44 Pin LQFP



DIMENSIONS Minimum/Maximum (mm)	44-PIN LQFP JEDEC MS-026 (BCB) Variation		
	MIN	NOM	MAX
SYMBOL			
A			1.60
A ₁	0.05		0.15
A ₂	1.35	1.40	1.45
b	0.30	0.37	0.50
D	12.00 BSC		
D ₁	10.00 BSC		
e	0.80 BSC		
E	12.00 BSC		
E ₁	10.00 BSC		
N	44		

COMMON DIMENSIONS			
SYMBL	MIN	NOM	MAX
c	0.11		.23
L	0.45	0.60	0.75
L ₁	1.00 BASIC		

44 PIN LQFP

ORDERING INFORMATION

Model	Temperature Range	Package Types
SP322CF	0°C to +70°C	44-pin LQFP
SP322CF-L	0°C to +70°C	44-pin LQFP

Available in lead free packaging. To order add "-L" suffix to part number.

Example: SP322CF = standard; SP322CF-L = lead free

[CLICK HERE TO ORDER SAMPLES](#)

REVISION HISTORY

DATE	REVISION	DESCRIPTION
1/27/04	A	Implemented tracking revision.
03/04/05	A	Added lead free ordering option.
09/30/05	A	Changed typo from MQFP package to LQFP.



ANALOG EXCELLENCE

Sipex Corporation

**Headquarters and
Sales Office**
233 South Hillview Drive
Milpitas, CA 95035
TEL: (408) 934-7500
FAX: (408) 935-7600

Sipex Corporation reserves the right to make changes to any products described herein. Sipex does not assume any liability arising out of the application or use of any product or circuit described hereing; neither does it convey any license under its patent rights nor the rights of others.