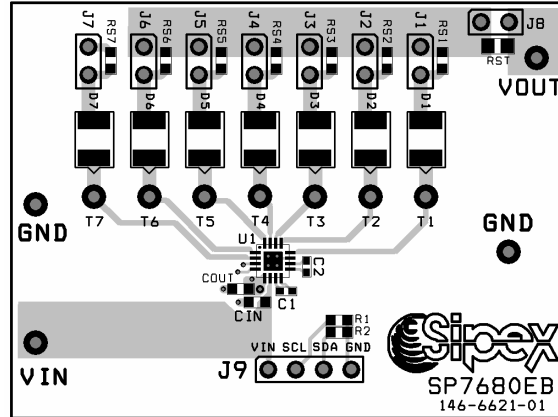


Evaluation Board Manual

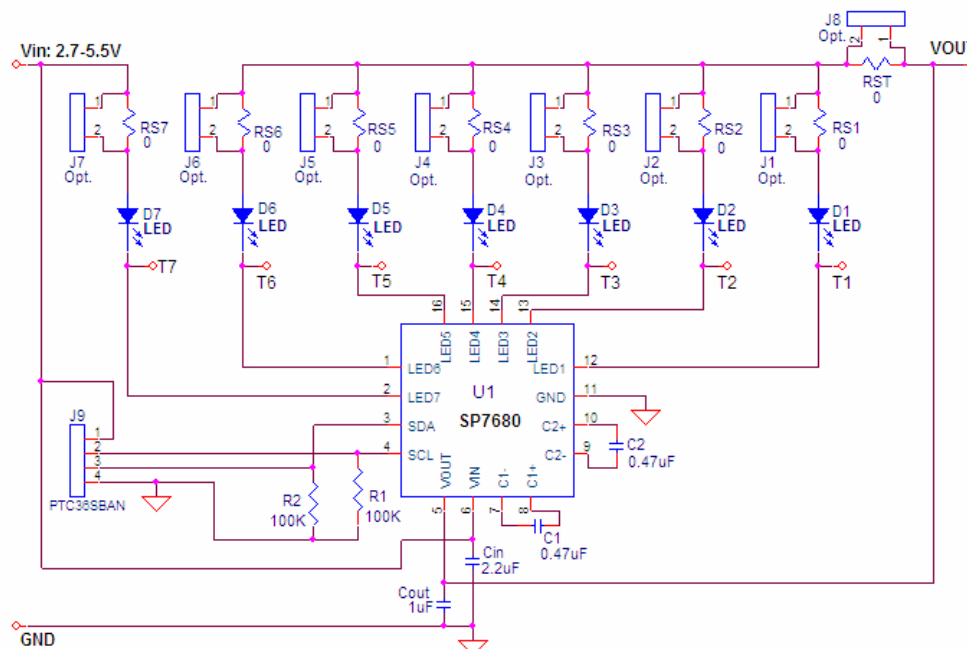
- Complete Backlight Solution
- Separate control for 4 main, 2 sub, and keypad LEDs
- Built-in 6-bit DAC for precise current setting
- I²C serial interface
- Data is stored in shutdown
- 1x and 1.5x mode operation with automatic switchover
- Very low dropout current sources: 200mV typ
- 2MHz switching frequency reduces external components
- Small 16-pin 3x3 QFN



DESCRIPTION

The **SP7680EB Evaluation Board** is a compact circuit including the SP7680 in 3x3mm QFN and 4 small 0402 or 0603 capacitors. This circuit can provide a stable drive current for backlight white LEDs and with I²C serial interface independently control LEDs for main and auxiliary displays as well as the keypad. The evaluation board is a completely assembled and tested surface mount board which provides easy probe access points to all SP7680 inputs and outputs so that the user can quickly connect LEDs and measure electrical characteristics and waveforms.

BOARD SCHEMATIC



TO GET STARTED:

1. Connect VIN from VIN to GND (VIN range 2.7V to 5.5V).
2. Apply I²C connections of SDA, SCL and GND to J9.
3. Connect LED Displays with cathodes to T1 to T7 for LED1 to LED7. Or, connect surface mount LEDs with solder to the board at D1 to D7.
4. Use I²C serial connection and software to control LED1 to LED7.
5. To measure current through LED1 to LED7 remove zero ohm resistor at RS1 to RS7 and add SM 0603 1 ohm resistors to RS1 to RS7. Then measure current with DVM across RS1 to RS7 with test points at J1 to J7. Note: 1mV across J1 to J7 equals 1mA of current through LED1 to LED7.

POWER SUPPLY DATA

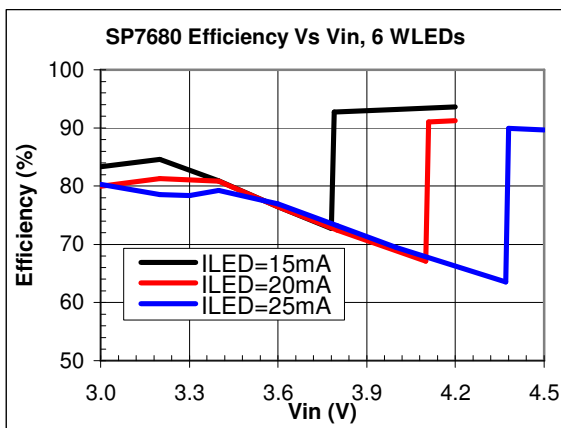


Figure 1. VOUT Efficiency 6 LEDs

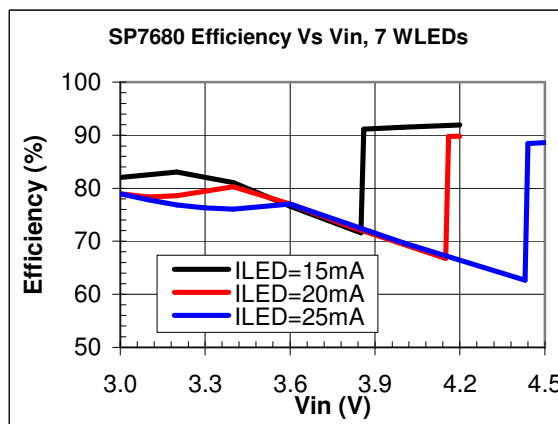


Figure 2. VOUT Efficiency 7 LEDs

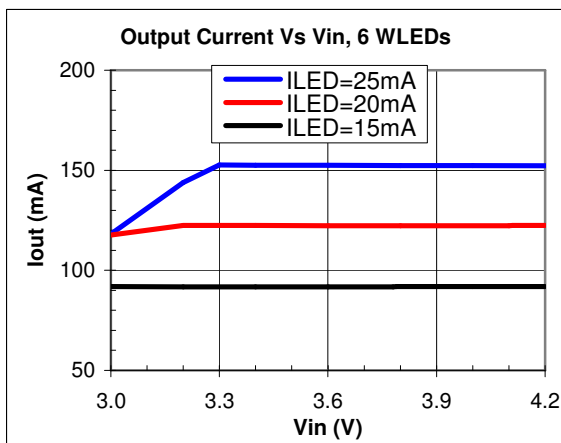


Figure 3. Output Current 6 LEDs

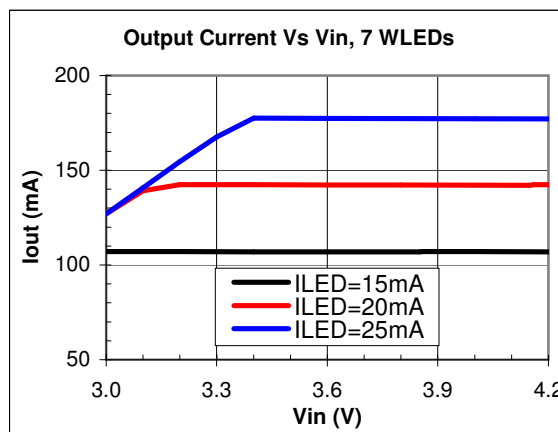


Figure 4. Output Current 7 LEDs

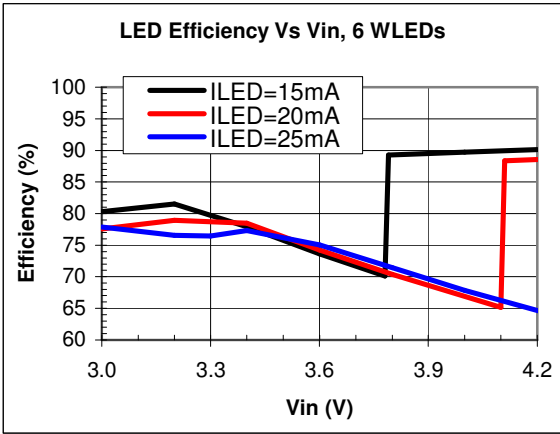


Figure 5. LED Efficiency 6 LEDs

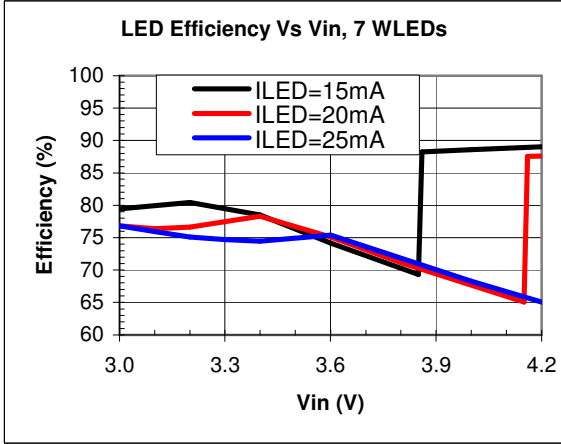


Figure 6. LED Efficiency 7 LEDs

EVALUATION BOARD LAYOUT

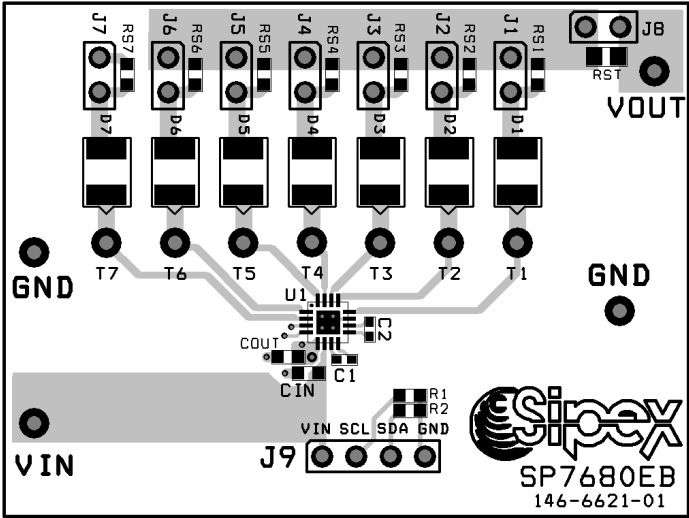


Figure 7: SP7680EB component Placement & LAYOUT TOP SIDE

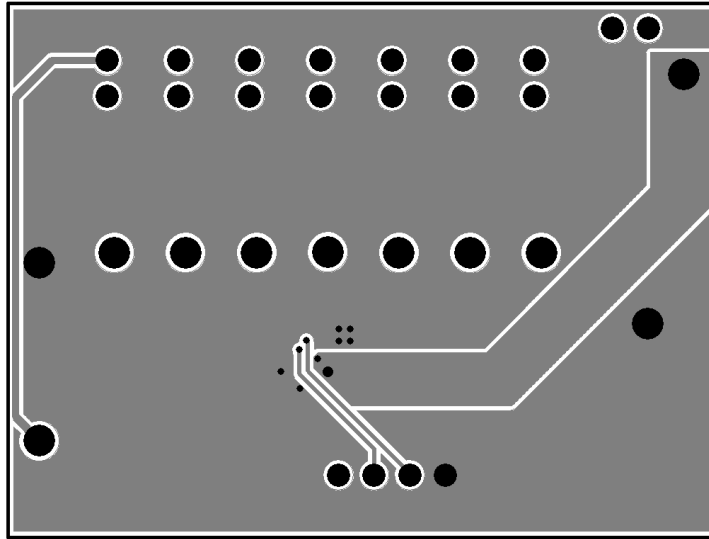


Figure 8: SP7680EB PC LAYOUT BOTTOM SIDE

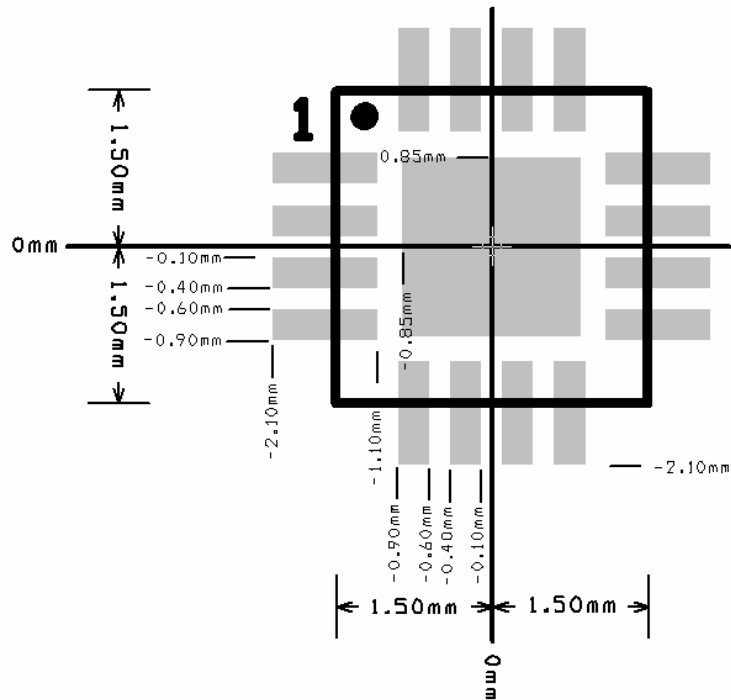


FIGURE 9: SP7680EB 16 Pin 3x3 DFN Foot Print Dimension

TABLE1: SP7680EB LIST OF MATERIALS

| Part Reference | Qty | Part Number | Value | Size | Manufacturers/ Website |
|--------------------------------------------------------|-----|------------------------|-----------------------------|-----------------------|---------------------------|
| U1 | 1 | SP7680ER | | 3x3mm DFN - 10 pin | www.sipex.cpm |
| PCB | 1 | 146-6621-01 | Eval bd PCB | 3x3mm DFN - 10 pin | www.sipex.cpm |
| CIN | 2 | GRM188R61A105K | 1uF/10V | 0603/X5R/0.9 mm ht | www.murata.com |
| COUT | 2 | GRM188R61A225K | 2.2uF/10V | 0603/X5R/0.9 mm ht | www.murata.com |
| C1,C2 | 2 | GRM155R60J474K | 0.47uF/6.3V | 0402 | www.murata.com |
| R1,R2 | 2 | CRCW0603100KFK EA | 100K | 0603 | www.vishay.com |
| RS1,RS2,RS3, RS4, RS5, RS6,RS7,RST | 8 | CRCW06030000Z0E A | 0 Ohm | 0603 | www.vishay.com |
| R1,R2 | 2 | CRCW0603100KFK EA | 100K | 0603 | www.vishay.com |
| J1,J2,J3,J4, J5,J6,J7 J8 | Opt | PTC36SAAN | 2-Pin Header | 0.23x0.12" | Sullins |
| | Opt | STC02SYAN | Shunt | 0.2x0.1" | Sullins |
| J9 | 1 | PTC36SBAN | 4-Pin Right Angle Header | 0.23x0.12" | Sullins |
| TP: VIN, GND, VOUT,T1,T2,T3, T4,T5, T6 and T7 | 11 | 0300-11501- 4727100 | Test point female pin | .042" Dia | Mil-Max (digi-key) |

| Model | Temperature Range | Package Type |
|----------------|--------------------------|---------------------------|
| SP7680EB..... | -40°C to +85°C..... | SP7680EB Evaluation Board |
| SP7680ER1..... | -40°C to +85°C..... | 16-pin 3x3mm QFN |

For further assistance:

Email: Sipexsupport@sipex.com
WWW Support page: <http://www.sipex.com/content.aspx?p=support>
Sipex Application Notes: <http://www.sipex.com/applicationNotes.aspx>



Sipex Corporation
Headquarters and
Sales Office
233 South Hillview Drive
Milpitas, CA95035
tel: (408) 934-7500
fax: (408) 935-7600

Sipex Corporation reserves the right to make changes to any products described herein. Sipex does not assume any liability arising out of the application or use of any product or circuit described herein; neither does it convey any license under its patent rights nor the rights of others.