



PRELIMINARY

# SOLID STATE DEVICES, INC.

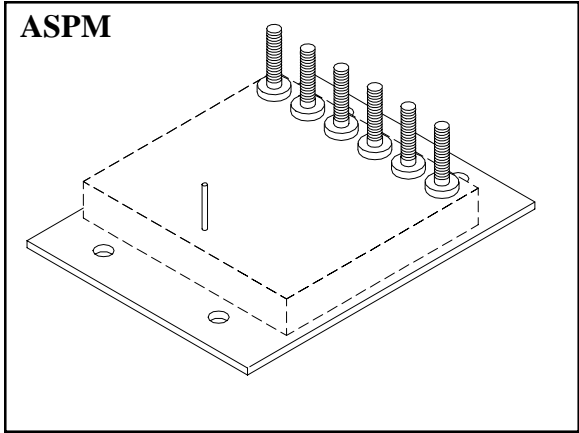
14005 Stage Road \* Santa Fe Springs, Ca 90670  
Phone: (562) 404-4474 \* Fax: (562) 404-1773

## DESIGNER'S DATA SHEET

**SPMQ461-01**

**200 AMP/600 VOLTS  
HALF BRIDGE  
IGBT POWER MODULE  
FOR SPACE APPLICATIONS**

- FEATURES:**
- High Current Switching for Motor Drives and Inverters for Space Applications.
  - Push-Pull Configuration with Freewheeling Diodes.
  - Low Saturation Voltage at High Currents.
  - Low Mechanical Stress Design.
  - Hermetic Sealed Construction for Aerospace Applications.
  - Excellent Thermal Management.
  - Full Power Screened Hermetic Discretes.
  - TX, TXV, and S-Level Screening Available.
  - Consult Factory for:
    - Faster Switching Speeds;
    - Other Bridge Configurations and Terminal Styles.

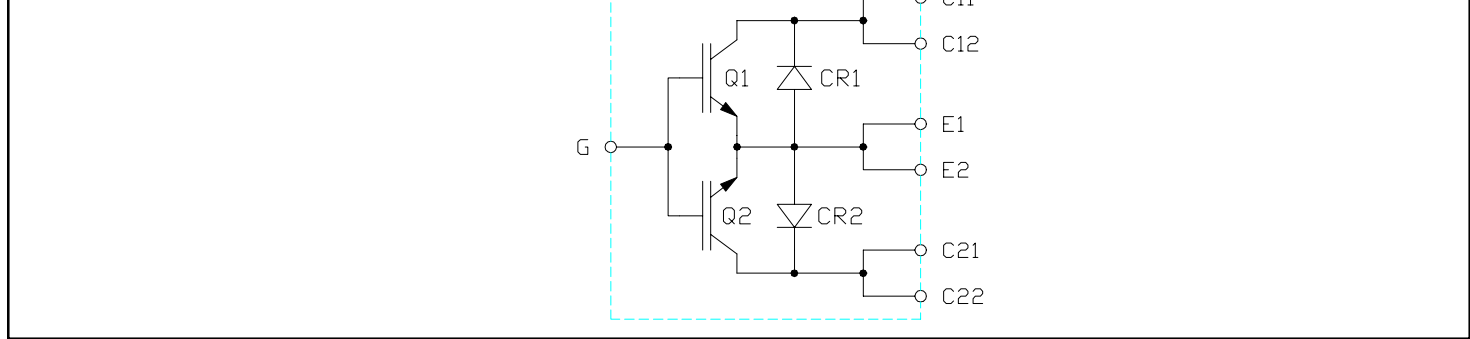


## MAXIMUM RATINGS

CHARACTERISTIC	SYMBOL	VALUE	UNIT
Collector to Emitter Voltage, per Leg	$V_{CES}$	600	Volts
Gate to Collector Voltage	$V_{GES}$	$\pm 20$	Volts
Continuous Collector Current, per Leg $T_B = 25^\circ C$ $T_B = 90^\circ C$	$I_{C1}$ $I_{C2}$	200 100	Amps
Pulse Collector Current, per Leg $\frac{1}{}$	$I_{CM}$	300	Amps
Clamped Inductive Load Current, per Leg ( $T_B = 125^\circ C$ , $V_{CC} = 480V$ , $V_{GE} = 15V$ , $L = 30\mu H$ , $R_G = 10\Omega$ )	$I_{LM}$	100	Amps
Reverse Voltage Avalange Energy, per Leg $\frac{1}{}$ ( $I_C = 100A$ )	$E_{ARV}$	5.6	mJ
Operating and Storage Temperature	$T_{OP} \& T_{STG}$	-55 TO +150	$^\circ C$
Thermal Resistance, Junction to Base, per Leg	$\theta_{JB}$	0.28	$^\circ C/W$
Total Module Dissipation, per Leg @ $T_B = 25^\circ C$ Dissipation Derating from $T_B = 25^\circ C$ to $T_B = 150^\circ C$ , per Leg	$P_{D1}$ $P_{D2}$	625 5	W W/ $^\circ C$

$\frac{1}{}$  Pulse Duration Limited by  $T_{JMAX}$ ; Repetative Rating

## ELECTRICAL SCHEMATIC



**NOTE:** All specifications are subject to change without notification. SCD's for these devices should be reviewed by SSDI prior to release.

**DATA SHEET #: PM0002B**

# SPMQ461-01

PRELIMINARY

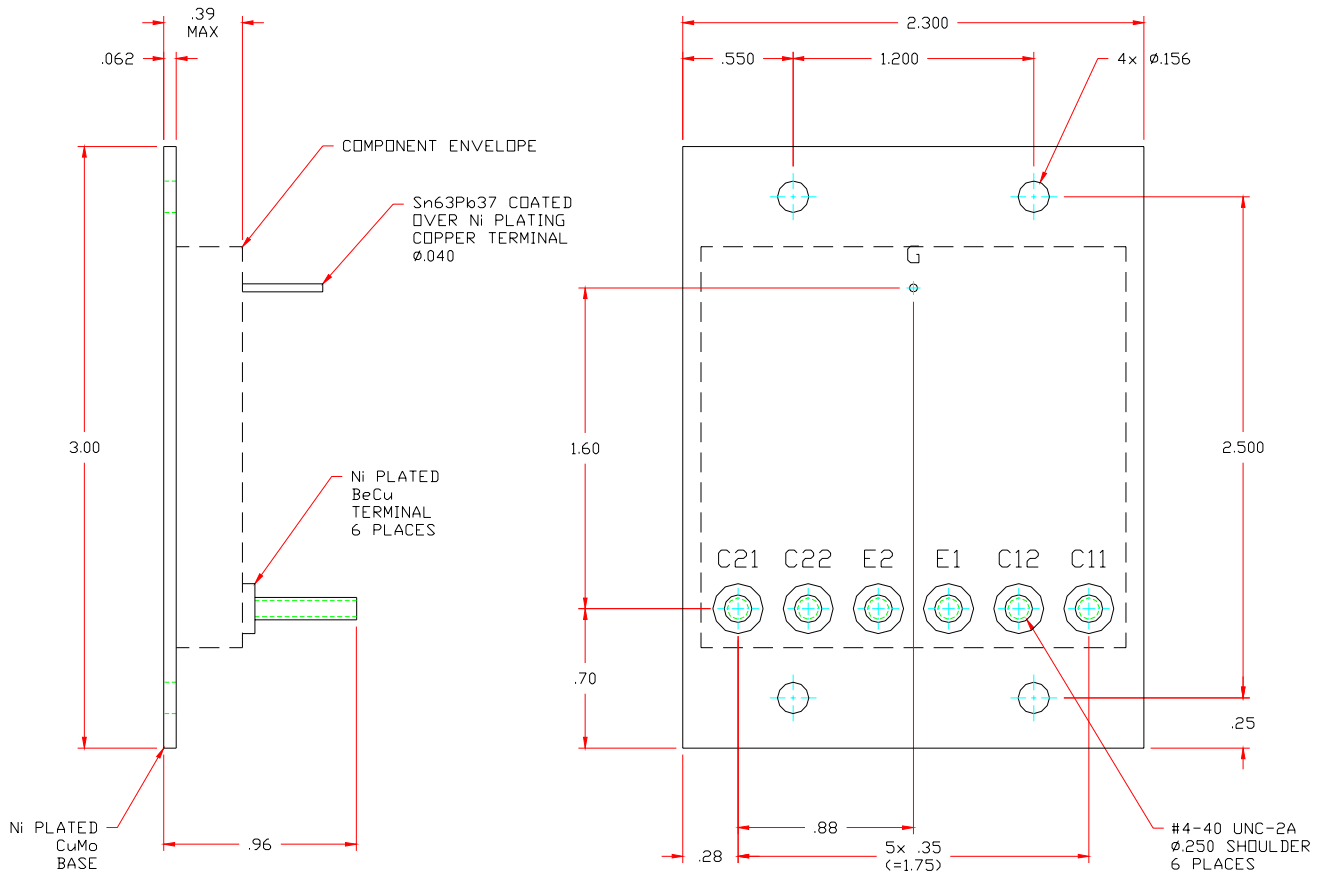


**SOLID STATE DEVICES, INC.**  
 14005 Stage Road \* Santa Fe Springs, Ca 90670  
 Phone: (562) 404-4474 \* Fax: (562) 404-1773

## ELECTRICAL CHARACTERISTICS @ $T_J = 25^\circ\text{C}$ , per Leg (Unless Otherwise Specified)

RATING	SYMBOL	MIN	MAX	UNIT
<b>Collector - Emitter Breakdown Voltage</b> ( $I_{CES} = 250\mu\text{A}$ , $V_{GE} = 0\text{V}$ )	$BV_{CES}$	600	-	Volts
<b>Gate - Emitter Threshold Voltage</b> ( $I_C = 5\text{mA}$ , $V_{CE} = V_{GE}$ )	$V_{GE(th)}$	2.0	6	Volts
<b>Collector-Emitter Saturation Voltage</b> ( $I_C = 100\text{A}$ , $V_{GE} = 15\text{V}$ )	( $T_B = 25^\circ\text{C}$ ) $V_{CE(sat)2}$	-	3.1	Volts
	( $T_B = 90^\circ\text{C}$ ) $V_{CE(sat)1}$	-	2.5	
<b>Gate-Emitter Leakage Current</b> ( $V_{GE} = \pm 20\text{V}$ , $V_{CE} = 0\text{V}$ )	$I_{GES}$	-	2.0	$\mu\text{Amps}$
<b>Collector Leakage Current</b> ( $V_{CE} = 480\text{V}$ , $V_{GE} = 0\text{V}$ )	( $T_B = 25^\circ\text{C}$ ) $I_{CES1}$	-	225	$\mu\text{Amps}$
	( $T_B = 125^\circ\text{C}$ ) $I_{CES1}$	-	20	mAmps
<b>Anti-Parallel Diode Forward Voltage</b> ( $I_F = 100\text{A}$ , $T_B = 25^\circ\text{C}$ )	$V_F$	-	1.6	Volts
<b>Insulation Resistance</b> (All terminals to Base @ 1500V)	$R_{INSUL1}$	1	-	$\text{G}\Omega$

## PACKAGE OUTLINE: ASPM



Tolerances  
(Unless specified):

.XX  $\pm .03$   
 .XXX  $\pm .010$