

### FEATURES

- Monolithic 28 MSPS Analog-to-Digital Converter
- 170 mW Power Dissipation
- On-Chip Track-and-Hold
- Single +5 V Power Supply
- TTL/CMOS Outputs
- 5 pF Input Capacitance
- Selectable +3 V or +5 V Logic I/O

### APPLICATIONS

- All High-Speed Applications Where Low Power Dissipation Is Required
- Video Imaging
- Medical Imaging
- IR Imaging
- Digital Communications

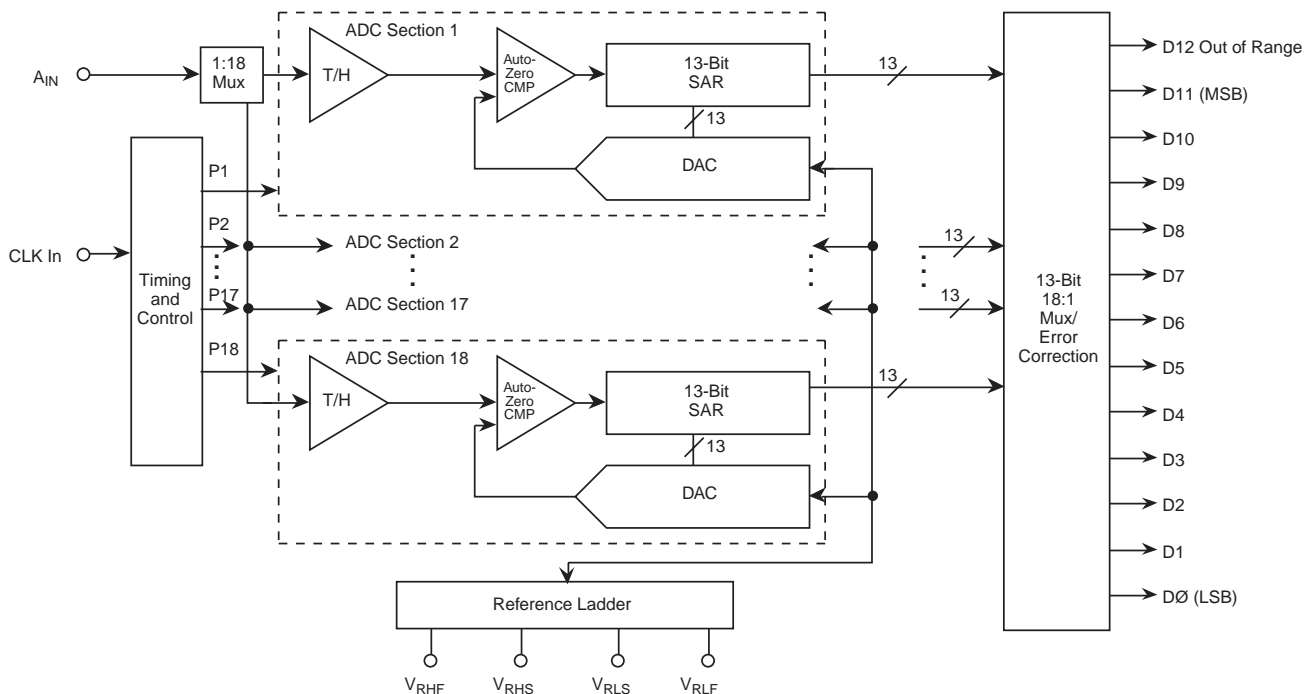
### GENERAL DESCRIPTION

The SPT7937 is a 12-bit monolithic, low-cost, low-power analog-to-digital converter capable of minimum sample rates of 28 MSPS. The SPT7937 has incorporated proprietary parallel SAR circuit design and CMOS processing technologies to achieve its advanced performance. The on-chip track-and-hold function assures very good dynamic performance without the need for external components.

Power dissipation is extremely low at only 170 mW typical at 28 MSPS with a power supply of +5.0 V. The digital outputs are +3 V or +5 V, and are user selectable. Inputs and outputs are TTL/CMOS compatible to interface with TTL/CMOS logic systems. Output data format is straight binary.

The SPT7937 is available in a 28-lead SSOP package over the industrial temperature range.

### BLOCK DIAGRAM



**Signal Processing Technologies, Inc.**

4755 Forge Road, Colorado Springs, Colorado 80907, USA

Phone: (719) 528-2300 FAX: (719) 528-2370 Website: <http://www.spt.com> E-Mail: [sales@spt.com](mailto:sales@spt.com)

## ABSOLUTE MAXIMUM RATINGS (Beyond which damage may occur)<sup>1</sup> 25 °C

### Supply Voltages

|                        |      |
|------------------------|------|
| AV <sub>DD</sub> ..... | +6 V |
| DV <sub>DD</sub> ..... | +6 V |
| OV <sub>DD</sub> ..... | +6 V |

### Input Voltages

|   |                                  |
|---|----------------------------------|
| Analog Input .....                        | -0.7 V to V <sub>DD</sub> +0.7 V |
| CLK Input .....                           | V <sub>DD</sub>                  |
| AV <sub>DD</sub> - DV <sub>DD</sub> ..... | ±100 mV                          |
| AGND - DGND .....                         | ±100 mV                          |

### Output

|                       |       |
|-----------------------|-------|
| Digital Outputs ..... | 10 mA |
|-----------------------|-------|

### Temperature

|  |                |
|--|----------------|
| Operating Temperature .....                    | -40 to +85 °C  |
| Junction Temperature .....                     | +175 °C        |
| Lead Temperature, (soldering 10 seconds) ..... | +300 °C        |
| Storage Temperature .....                      | -65 to +150 °C |

**Note:** 1. Operation at any Absolute Maximum Rating is not implied. See Electrical Specifications for proper nominal applied conditions in typical applications.

## ELECTRICAL SPECIFICATIONS

T<sub>A</sub>=T<sub>MIN</sub> to T<sub>MAX</sub>, V<sub>DD</sub>=+5.0 V, f<sub>S</sub>=28 MSPS, V<sub>IN</sub>=0 to 4 V, V<sub>RHS</sub>=4.0 V, V<sub>RLS</sub>=0.0 V, unless otherwise specified.

| PARAMETERS                              | TEST CONDITIONS | TEST LEVEL | MIN              | SPT7937 TYP | MAX              | UNITS        |
|---|-----------------|------------|------------------|-------------|------------------|--------------|
| Resolution                              |                 |            | 12               |             |                  | Bits         |
| DC Accuracy                             |                 |            |                  |             |                  |              |
| Integral Nonlinearity                   |                 | V          |                  | ±1.75       |                  | LSB          |
| Differential Nonlinearity               |                 | V          |                  | ±0.9        |                  | LSB          |
| No Missing Codes                        |                 | VI         |                  | Guaranteed  |                  |              |
| Analog Input                            |                 |            |                  |             |                  |              |
| Input Voltage Range                     |                 | VI         | V <sub>RLS</sub> |             | V <sub>RHS</sub> | V            |
| Input Capacitance                       |                 | V          |                  | 5.0         |                  | pF           |
| Input Bandwidth                         |                 | V          |                  | 250         |                  | MHz          |
| Input Impedance                         |                 | V          |                  | 35          |                  | kΩ           |
| -Full-Scale Error <sup>1</sup>          |                 | V          |                  | 1.0         |                  | LSB          |
| +Full-Scale Error <sup>1</sup>          |                 | V          |                  | 0.12        |                  | %FS          |
| Conversion Characteristics              |                 |            |                  |             |                  |              |
| Maximum Conversion Rate                 |                 | VI         | 28               |             |                  | MHz          |
| Minimum Conversion Rate                 |                 | V          | 1                |             |                  | MHz          |
| Pipeline Delay (Latency)                |                 | IV         |                  |             | 14               | Clock Cycles |
| Aperture Delay Time (T <sub>AP</sub> )  |                 | V          |                  | 1.0         |                  | ns           |
| Aperture Jitter Time                    |                 | V          |                  | 5.0         |                  | ps (RMS)     |
| Clock Duty Cycle                        |                 | V          | 40               |             | 60               | %            |
| Over-Voltage Recovery Time <sup>2</sup> |                 | V          |                  |             | 36               | ns           |
| Dynamic Performance                     |                 |            |                  |             |                  |              |
| Effective Number of Bits                |                 |            |                  |             |                  |              |
| f <sub>IN</sub> = 3.58 MHz              |                 | V          |                  | 10.3        |                  | Bits         |
| f <sub>IN</sub> = 10 MHz                |                 | VI         |                  | 10.0        |                  | Bits         |
| Reference Input                         |                 |            |                  |             |                  |              |
| Resistance                              |                 | VI         | 350              | 500         | 650              | Ω            |
| Voltage Range <sup>3</sup>              |                 |            |                  |             |                  |              |
| V <sub>RHS</sub>                        |                 | IV         | 3.0              |             | V <sub>DD</sub>  | V            |
| V <sub>RLS</sub>                        |                 | IV         | 0.0              |             | 2.0              | V            |
| V <sub>RHS</sub> - V <sub>RLS</sub>     |                 | V          | 1.0              | 4.0         | 5.0              | V            |

<sup>1</sup> The full-scale range spans the reference ladder sense pins, V<sub>RHS</sub> and V<sub>RLS</sub>. Refer to the Voltage Reference section for discussion.

<sup>2</sup> Due to internal architecture, over-voltage recovery time is less than one clock cycle (i.e., 25 ns at f<sub>CLK</sub> = 40 MHz).

<sup>3</sup> For optimum performance, the full-scale voltage range (V<sub>RHS</sub>-V<sub>RLS</sub>) should be between 3 V to 5 V.

## ELECTRICAL SPECIFICATIONS

$T_A = T_{MIN}$  to  $T_{MAX}$ ,  $V_{DD} = +5.0$  V,  $f_S = 28$  MSPS,  $V_{IN} = 0$  to 4 V,  $V_{RHS} = 4.0$  V,  $V_{RLS} = 0.0$  V, unless otherwise specified.

| PARAMETERS                                   | TEST CONDITIONS   | TEST LEVEL | SPT7937        |     |       | UNITS   |
|--|-------------------|------------|----------------|-----|-------|---------|
|  |                   |            | MIN            | TYP | MAX   |         |
| Dynamic Performance                          |                   |            |                |     |       |         |
| Signal-to-Noise Ratio<br>(without Harmonics) |                   | V          |                | 65  |       | dB      |
| $f_{IN} = 3.58$ MHz                          |                   | VI         | 61             | 63  |       | dB      |
| $f_{IN} = 10$ MHz                            |                   |            |                |     |       |         |
| Harmonic Distortion                          |                   | V          |                | -73 |       | dB      |
| $f_{IN} = 3.58$ MHz                          |                   | VI         |                | -72 | -63.5 | dB      |
| $f_{IN} = 10$ MHz                            |                   |            |                |     |       |         |
| Signal-to-Noise and Distortion<br>(SINAD)    |                   | V          |                | 64  |       | dB      |
| $f_{IN} = 3.58$ MHz                          |                   | VI         | 60             | 62  |       | dB      |
| $f_{IN} = 10$ MHz                            |                   |            |                |     |       |         |
| Spurious Free Dynamic Range                  |                   | V          |                | 73  |       | dB      |
| $f_{IN} = 10$ MHz                            |                   |            |                |     |       |         |
| Differential Phase                           |                   | V          |                | 0.6 |       | Degree  |
| Differential Gain                            |                   | V          |                | 0.5 |       | %       |
| Inputs                                       |                   |            |                |     |       |         |
| Logic 1 Voltage                              |                   | VI         | 2.0            |     |       | V       |
| Logic 0 Voltage                              |                   | VI         |                |     | 0.8   | V       |
| Maximum Input Current Low                    |                   | VI         | -10            |     | +10   | $\mu$ A |
| Maximum Input Current High                   |                   | VI         | -10            |     | +10   | $\mu$ A |
| Input Capacitance                            |                   | V          |                | 5   |       | pF      |
| Digital Outputs                              |                   |            |                |     |       |         |
| Logic 1 Voltage                              | $I_{OH} = 0.5$ mA | VI         | $V_{DD} - 0.5$ |     |       | V       |
| Logic 0 Voltage                              | $I_{OL} = 1.6$ mA | VI         |                |     | 0.4   | V       |
| CLK to Output Delay Time ( $t_D$ )           |                   | IV         |                | 15  |       | ns      |
| Power Supply Requirements                    |                   |            |                |     |       |         |
| Voltages $OV_{DD}$                           |                   | IV         | 3.0            |     | 5.0   | V       |
| $V_{DD}$                                     |                   | IV         | 4.75           | 5.0 | 5.25  | V       |
| Currents $I_{DD}$                            |                   | VI         |                | 34  | 40    | mA      |
| Power Dissipation                            |                   | VI         |                | 170 | 200   | mW      |
| Power Supply Rejection Ratio                 |                   | V          |                | 60  |       | dB      |

### TEST LEVEL CODES

All electrical characteristics are subject to the following conditions:

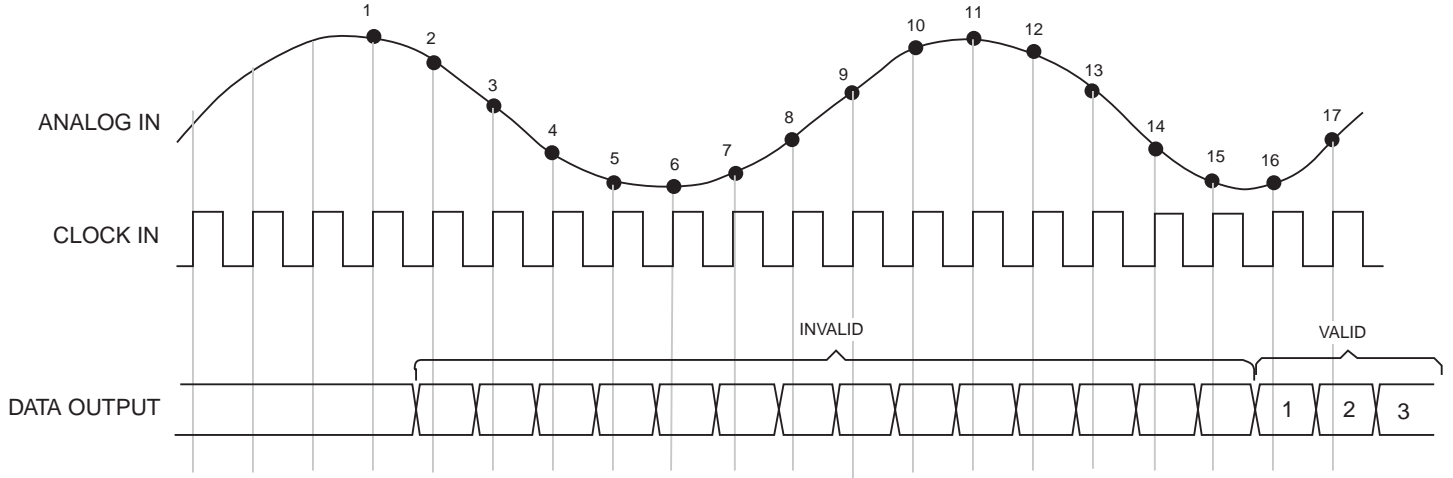
All parameters having min/max specifications are guaranteed. The Test Level column indicates the specific device testing actually performed during production and Quality Assurance inspection. Any blank section in the data column indicates that the specification is not tested at the specified condition.

### TEST LEVEL

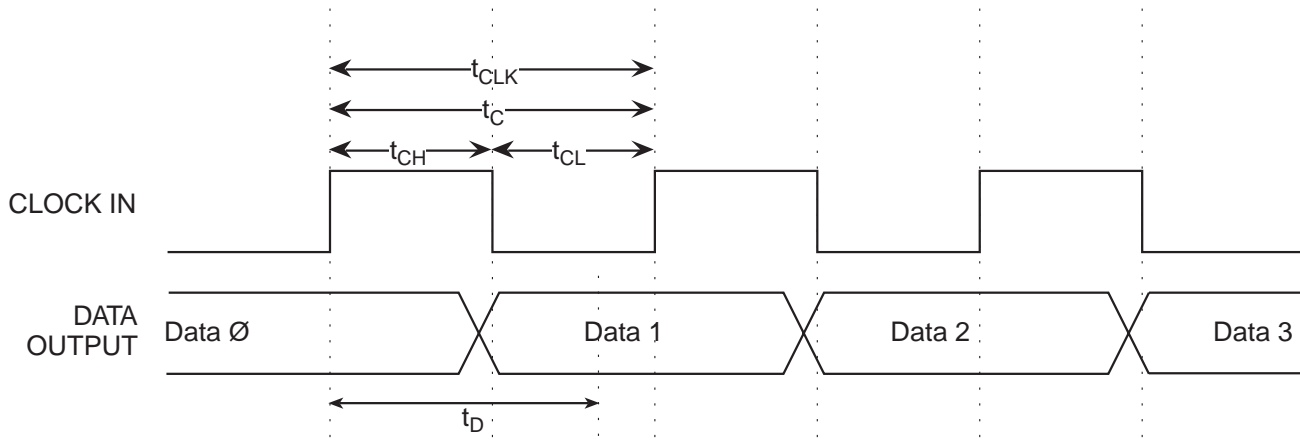
### TEST PROCEDURE

|     |   |
|-----|---|
| I   | 100% production tested at the specified temperature.  |
| II  | 100% production tested at $T_A = +25$ °C, and sample tested at the specified temperatures.          |
| III | QA sample tested only at the specified temperatures.  |
| IV  | Parameter is guaranteed (but not tested) by design and characterization data.                       |
| V   | Parameter is a typical value for information purposes only.   |
| VI  | 100% production tested at $T_A = +25$ °C. Parameter is guaranteed over specified temperature range. |

**Figure 1a – Timing Diagram**

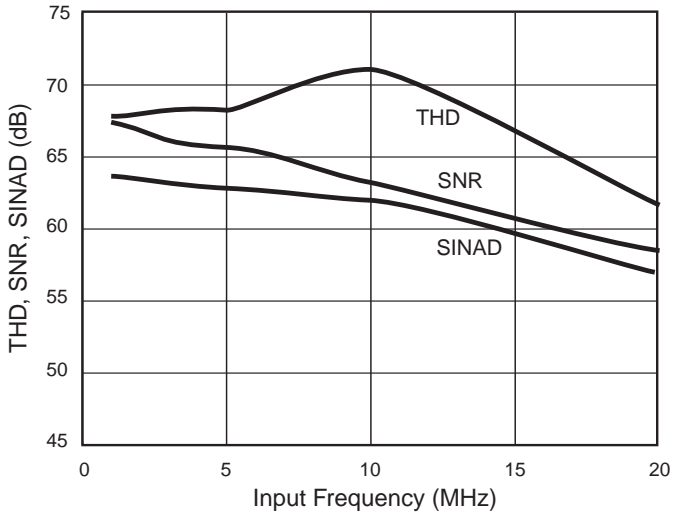


**Figure 1b – Timing Diagram**

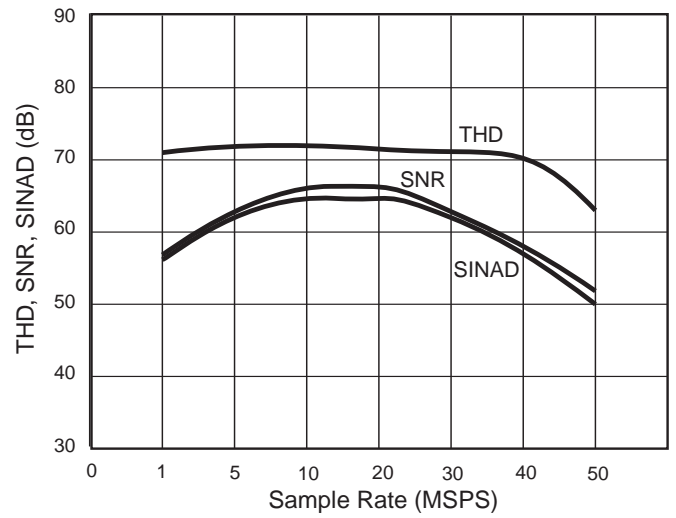


# TYPICAL PERFORMANCE CHARACTERISTICS

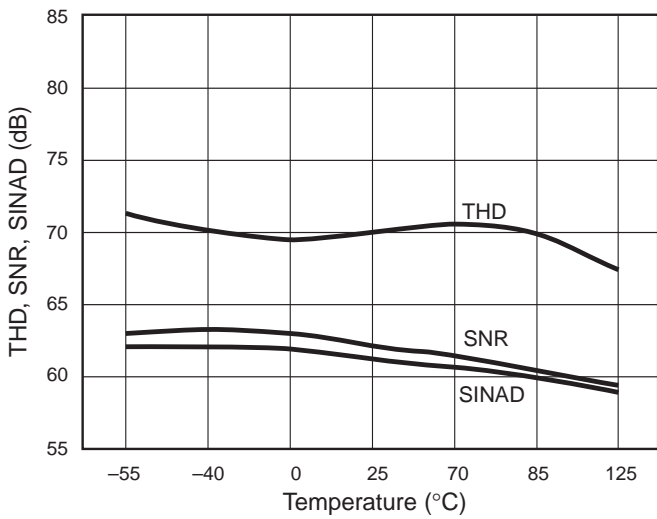
## THD, SNR, SINAD vs Input Frequency



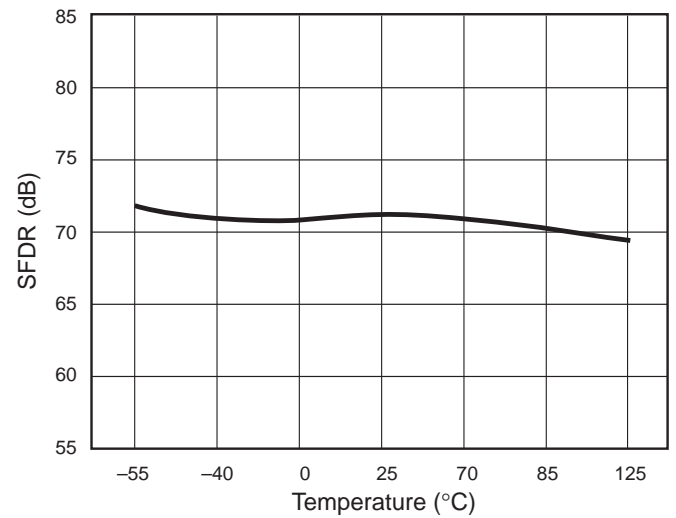
## THD, SNR, SINAD vs Sample Rate



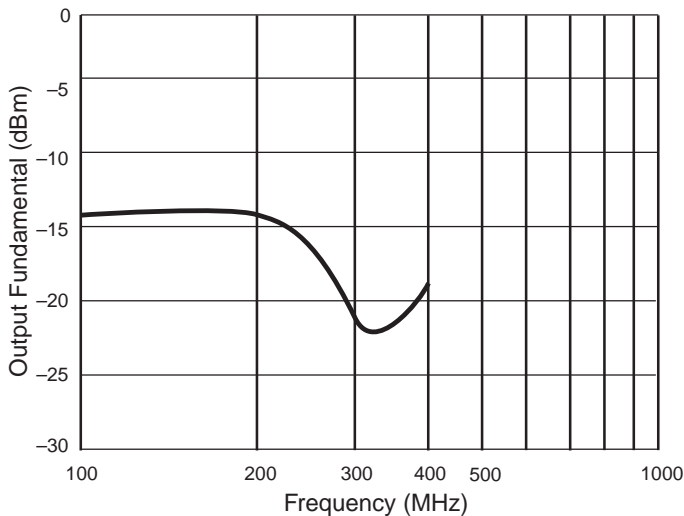
## THD, SNR, SINAD vs Temperature



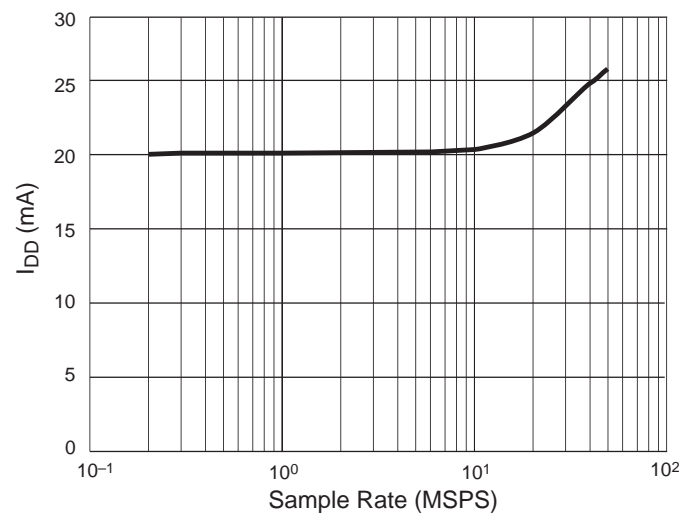
## SFDR vs Temperature



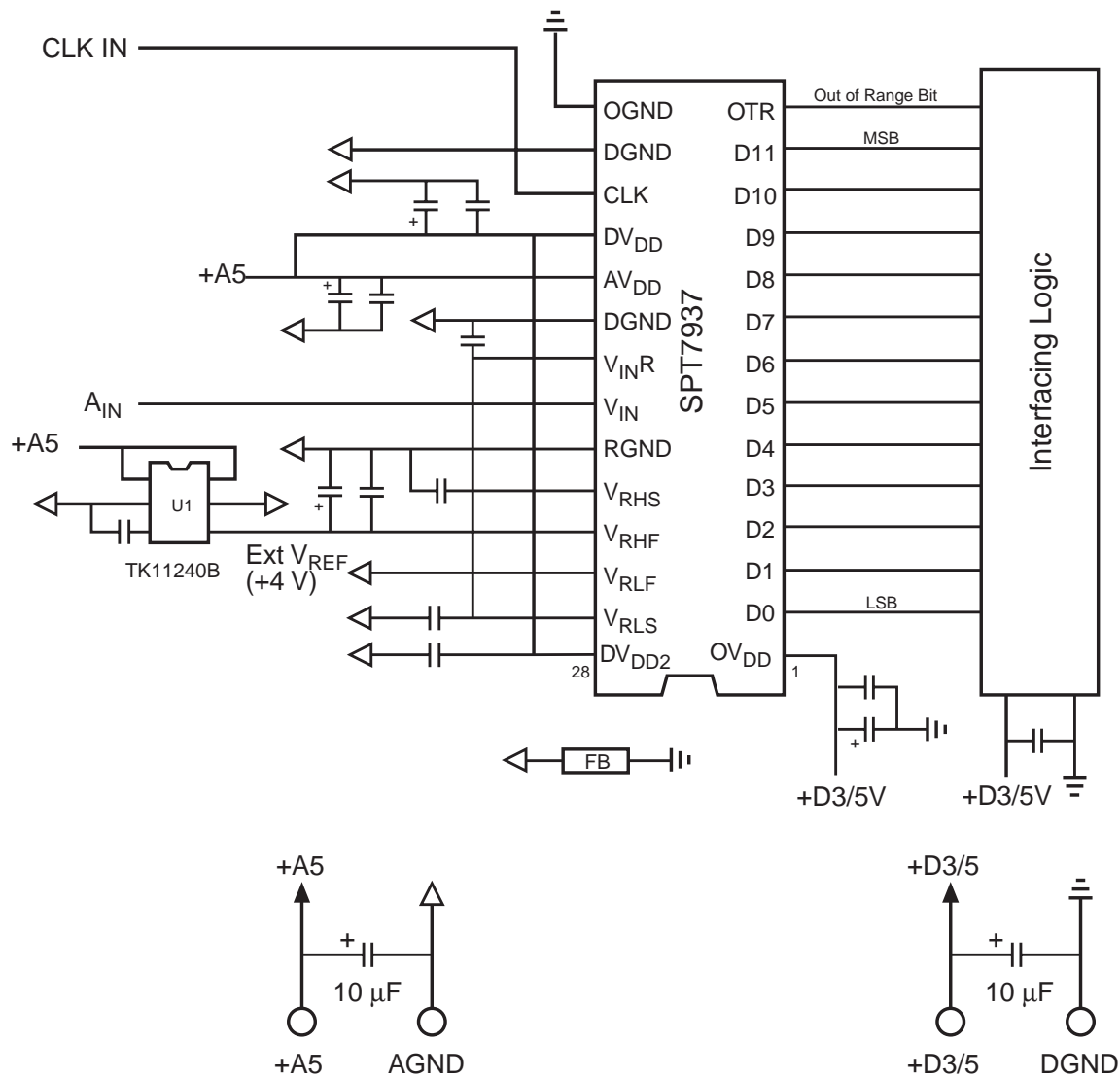
## Input Bandwidth



## I<sub>DD</sub> vs Sample Rate



**Figure 2 – Typical Interface Circuit**



**Notes:**

- 1) Unless otherwise specified, all non-polarized capacitors are 0.01 microfarad surface-mount chip capacitors. They need to be placed as close to the pin as possible
- 2) All polarized capacitors are 4.7 to 10 microfarad tantalum surface-mount capacitors
- 3) FB is a ferrite bead. Place FB as close to the DUT as possible
- 4) U1 is TOKO regulator TK11240B (4.0 V)

**TYPICAL INTERFACE CIRCUIT**

Very few external components are required to achieve the stated device performance. Figure 2 shows the typical interface requirements when using the SPT7937 in normal circuit operation. The following sections provide descriptions of the major functions and outline critical performance criteria to consider for achieving the optimal device performance.

**POWER SUPPLIES AND GROUNDING**

SPT suggests that both the digital ( $DV_{DD}$ ) and the analog ( $AV_{DD}$ ) supply voltages on the SPT7937 be derived from a single analog supply as shown in figure 2. A separate digital supply should be used for the digital output driver supply ( $OV_{DD}$ ) and all interface circuitry. SPT suggests using this power supply configuration to prevent a possible latch-up condition on power up. In addition, the power supplies must be powered up before the analog input is applied.

## OPERATING DESCRIPTION

The general architecture for the CMOS ADC is shown in the block diagram. The design contains 18 identical successive approximation ADC sections (all operating in parallel), an 18-phase clock generator, a 13-bit 18:1 digital output multiplexer, correction logic, and a voltage reference generator which provides common reference levels for each ADC section.

The high sample rate is achieved by using multiple SAR ADC sections in parallel, each of which samples the input signal in sequence. Each ADC uses 18 clock cycles to complete a conversion. The clock cycles are allocated as follows:

**Table II – Clock Cycles**

| Clock | Operation                 |
|-------|---------------------------|
| 1     | Reference zero sampling   |
| 2     | Auto-zero comparison      |
| 3     | Auto-calibrate comparison |
| 4     | Input sample              |
| 5-17  | 13-bit SAR conversion     |
| 18    | Data transfer             |

The 18-phase clock, which is derived from the input clock, synchronizes these events. The timing signals for adjacent ADC sections are shifted by one clock cycle so that the analog input is sampled on every cycle of the input clock by exactly one ADC section. After 18 clock periods, the timing cycle repeats. The latency from analog input sample to the corresponding digital output is 14 clock cycles.

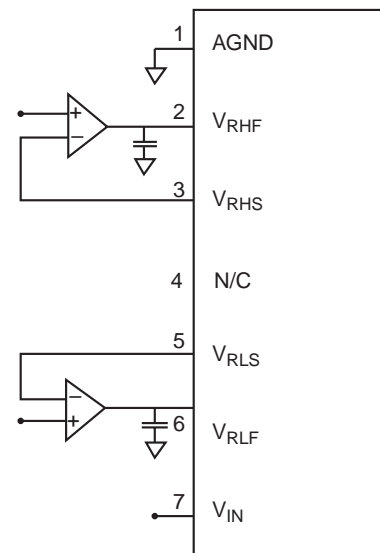
- Since only 18 comparators are used, a huge power savings is realized.
- The auto-zero operation is done using a closed loop system that uses multiple samples of the comparator's response to a reference zero.
- The auto-calibrate operation, which calibrates the gain of the MSB reference and the LSB reference, is also done with a closed loop system. Multiple samples of the gain error are integrated to produce a calibration voltage for each ADC section.
- Capacitive displacement currents, which can induce sampling error, are minimized since only one comparator samples the input during a clock cycle.
- The total input capacitance is very low since sections of the converter which are not sampling the signal are isolated from the input by transmission gates.

## VOLTAGE REFERENCE

The SPT7937 requires the use of a single external voltage reference for driving the high side of the reference ladder. It must be within the range of 3 V to 5 V. The lower side of the ladder is typically tied to AGND (0.0 V), but can be run up to 2.0 V with a second reference. The analog input voltage full-scale range will track the total voltage difference measured between the ladder sense lines,  $V_{RHS}$  and  $V_{RLS}$ . For optimum performance the full-scale voltage range ( $V_{RHS}-V_{RLS}$ ) should be between 3 V to 5 V.

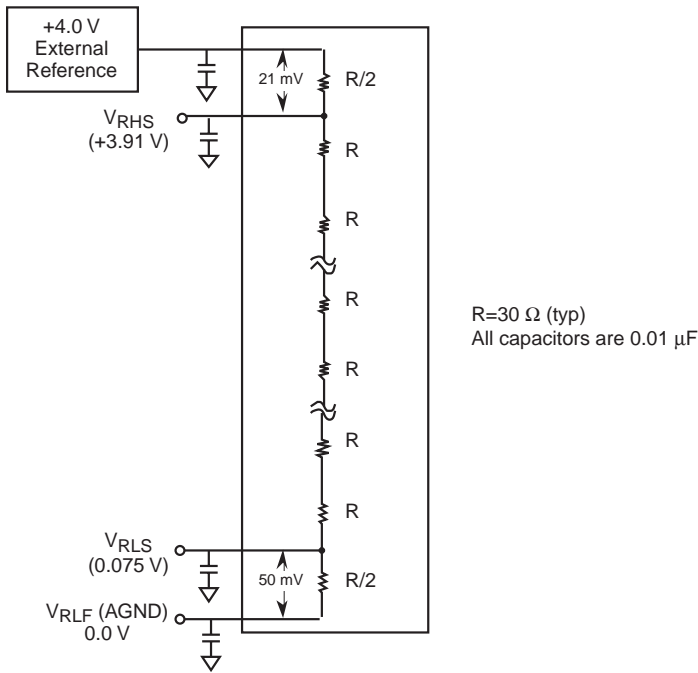
Force and sense taps are provided to ensure accurate and stable setting of the upper and lower ladder sense line voltages across part-to-part and temperature variations. By using the configuration shown in figure 3, offset and gain errors of less than  $\pm 2$  LSB can be obtained.

**Figure 3 – Ladder Force/Sense Circuit**



All capacitors are 0.01  $\mu$ F

**Figure 4 – Simplified Reference Ladder Drive Circuit Without Force/Sense Circuit**



In cases in which wider variations in offset and gain can be tolerated,  $V_{Ref}$  can be tied directly to  $V_{RHF}$  and AGND can be tied directly to  $V_{RLF}$  as shown in figure 4. Decouple force and sense lines to AGND with a 0.01  $\mu$ F capacitor (chip cap preferred) to minimize high-frequency noise injection. If this simplified configuration is used, the following considerations should be taken into account:

The reference ladder circuit shown in figure 4 is a simplified representation of the actual reference ladder with force and sense taps shown. Due to the actual internal structure of the ladder, the voltage drop from  $V_{RHF}$  to  $V_{RHS}$  is not equivalent to the voltage drop from  $V_{RLF}$  to  $V_{RLS}$ .

Typically, the top side voltage drop for  $V_{RHF}$  to  $V_{RHS}$  will equal:

$$V_{RHF} - V_{RHS} = 0.5\% \text{ of } (V_{RHF} - V_{RLF}) \text{ (typical),}$$

and the bottom side voltage drop for  $V_{RLS}$  to  $V_{RLF}$  will equal:

$$V_{RLS} - V_{RLF} = 1.25\% \text{ of } (V_{RHF} - V_{RLF}) \text{ (typical).}$$

Figure 4 shows an example of expected voltage drops for a specific case.  $V_{REF}$  of 4.0 V is applied to  $V_{RHF}$  and  $V_{RLF}$  is tied to AGND. A 21 mV drop is seen at  $V_{RHS}$  (= 3.79 V) and a 50 mV increase is seen at  $V_{RLS}$  (= 0.050 V).

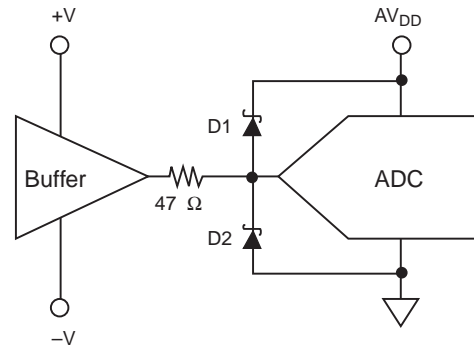
## ANALOG INPUT

$V_{IN}$  is the analog input. The input voltage range is from  $V_{RLS}$  to  $V_{RHS}$  (typically 4.0 V) and will scale proportionally with respect to the voltage reference. (See the Voltage Reference section.)

The drive requirements for the analog inputs are very minimal when compared to most other converters due to the SPT7937's extremely low input capacitance of only 5 pF and very high input resistance in excess of 35 k $\Omega$ .

The analog input should be protected through a series resistor and diode clamping circuit as shown in figure 5. To prevent possible latch-up condition, the power supplies must be powered up before the input is applied.

**Figure 5 – Recommended Input Protection Circuit**



D1 = D2 = Hewlett Packard HP5712 or equivalent

## CALIBRATION

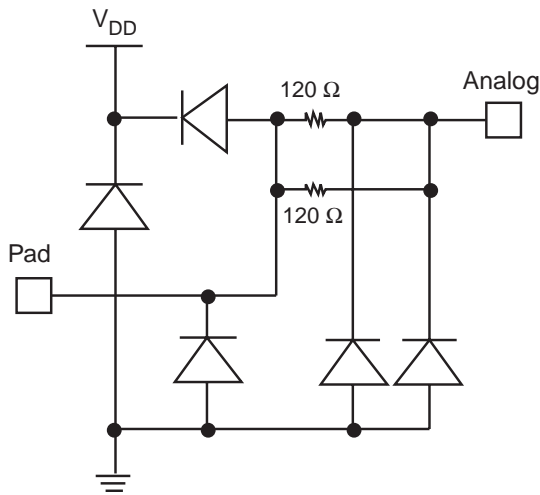
The SPT7937 uses a user-transparent, auto-calibration scheme to ensure 12-bit accuracy over time and temperature. Gain and offset errors are continually adjusted to 12-bit accuracy during device operation.

Upon power up, the SPT7937 begins its calibration algorithm. In order to achieve the calibration accuracy required, the offset and gain adjustment step size is a fraction of a 12-bit LSB. Since the calibration algorithm is an oversampling process, a minimum of 10,000 clock cycles are required. This results in a minimum calibration time upon power-up of 357  $\mu$ sec (for a 28 MHz clock). Once calibrated, the SPT7937 remains calibrated over time and temperature.

Since the calibration cycles are initiated on the rising edge of the clock, the clock must be continuously applied for the SPT7937 to remain in calibration.



**Figure 6 – On-Chip Protection Circuit**



## INPUT PROTECTION

All I/O pads are protected with an on-chip protection circuit shown in figure 6. This circuit provides ESD robustness to 3.5 kV and prevents latch-up under severe discharge conditions without degrading analog transition times.

## CLOCK INPUT

The SPT7937 is driven from a single-ended TTL-input clock. Because the pipelined architecture operates on the rising edge of the clock input, the device can operate over a wide range of input clock duty cycles without degrading the dynamic performance.

## DIGITAL OUTPUTS

The digital outputs (D0–D12) are driven by a separate supply (OV<sub>DD</sub>) ranging from +3 V to +5 V. This feature makes it possible to drive the SPT7937's TTL/CMOS-compatible outputs with the user's logic system supply. The format of the output data (D0–D11) is straight binary. (See table III.) The outputs are latched on the rising edge of CLK.

**Table III – Output Data Information**

| ANALOG INPUT    | OVERRANGE<br>D12 | OUTPUT CODE<br>D11–D0 |
|-----------------|------------------|-----------------------|
| +F.S. + 1/2 LSB | 1                | 11 1111 1111          |
| +F.S. -1/2 LSB  | 0                | 11 1111 1110          |
| +1/2 F.S.       | 0                | 00 0000 0000          |
| +1/2 LSB        | 0                | 00 0000 0000          |
| 0.0 V           | 0                | 00 0000 0000          |

(0 indicates the flickering bit between logic 0 and 1).

## OVERRANGE OUTPUT

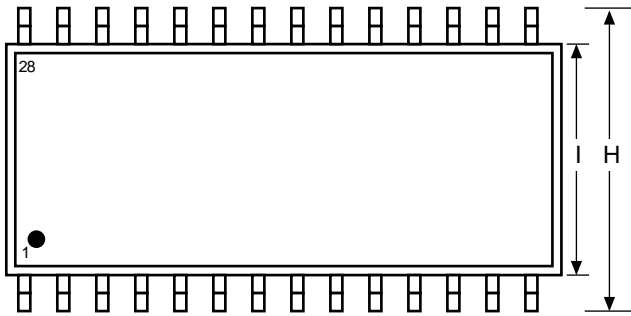
The Overrange Output (D12) is an indication that the analog input signal has exceeded the positive full scale input voltage by 1 LSB. When this condition occurs, D12 will switch to logic 1. All other data outputs (D0 to D11) will remain at logic 1 as long as D12 remains at logic 1. This feature makes it possible to include the SPT7937 in higher resolution systems.

## EVALUATION BOARD

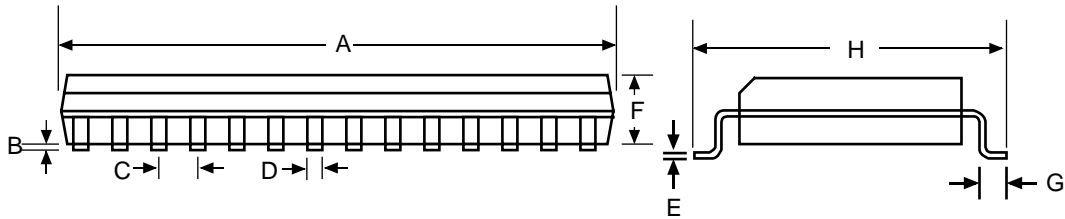
The EB7937 evaluation board is available to aid designers in demonstrating the full performance of the SPT7937. This board includes a reference circuit, clock driver circuit, output data latches and an on-board reconstruction of the digital data. An application note (AN7937) describing the operation of this board, as well as information on the testing of the SPT7937, is also available. Contact the factory for price and availability.

# PACKAGE OUTLINE

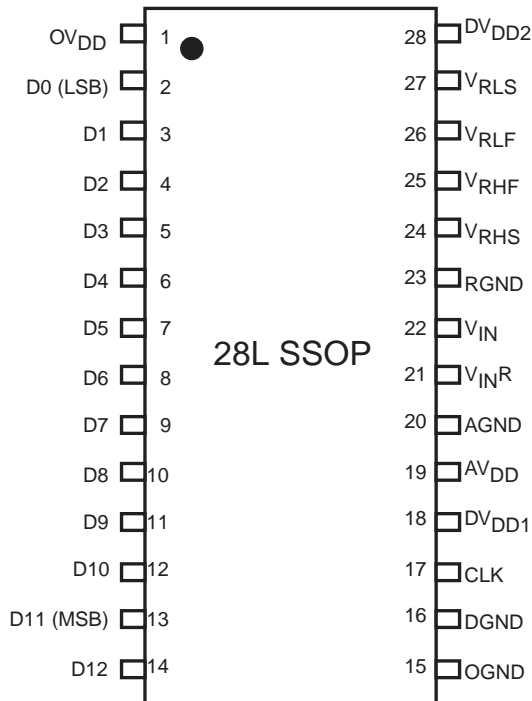
## 28-Lead SSOP



| SYMBOL | INCHES |            | MILLIMETERS |          |
|--------|--------|------------|-------------|----------|
|        | MIN    | MAX        | MIN         | MAX      |
| A      | 0.397  | 0.407      | 10.07       | 10.33    |
| B      | 0.002  | 0.008      | 0.05        | 0.21     |
| C      |        | 0.0256 typ |             | 0.65 typ |
| D      | 0.010  | 0.015      | 0.25        | 0.38     |
| E      | 0.004  | 0.008      | 0.09        | 0.20     |
| F      | 0.066  | 0.070      | 1.68        | 1.78     |
| G      | 0.025  | 0.037      | 0.63        | 0.95     |
| H      | 0.301  | 0.311      | 7.65        | 7.90     |
| I      | 0.205  | 0.212      | 5.20        | 5.38     |



## PIN ASSIGNMENTS



## PIN FUNCTIONS

| Name              | Function   |
|-------------------|--|
| OV <sub>DD</sub>  | Digital Output Driver Supply                                       |
| D0-D11            | Data Output, Bits 0 – Bit 11                                       |
| D12               | Out of Range   |
| OGND              | Digital Output Driver Ground                                       |
| DGND              | Digital Ground   |
| CLK               | Input Clock  |
| DV <sub>DD1</sub> | Digital V <sub>DD</sub>  |
| DV <sub>DD2</sub> | Digital V <sub>DD</sub> ; must be tied to DV <sub>DD1</sub>        |
| AV <sub>DD</sub>  | Analog V <sub>DD</sub>   |
| AGND              | Analog Ground  |
| V <sub>INR</sub>  | Analog Input Return  |
| V <sub>IN</sub>   | Analog Input, Full Scale from V <sub>RLS</sub> to V <sub>RHS</sub> |
| RGND              | Analog Ground Shield (Junction Isolated)                           |
| V <sub>RHS</sub>  | Reference High Sense   |
| V <sub>RHF</sub>  | Reference High Force (V <sub>RHF</sub> ≤ AV <sub>DD</sub> )        |
| V <sub>RLS</sub>  | Reference Low Sense  |
| V <sub>RLF</sub>  | Reference Low Force  |

## ORDERING INFORMATION

| PART NUMBER | TEMPERATURE RANGE | PACKAGE TYPE |
|-------------|-------------------|--------------|
| SPT7937SIR  | -40 to +85 °C     | 28L SSOP     |

Signal Processing Technologies, Inc. reserves the right to change products and specifications without notice. Permission is hereby expressly granted to copy this literature for informational purposes only. Copying this material for any other use is strictly prohibited.

**WARNING – LIFE SUPPORT APPLICATIONS POLICY –** SPT products should not be used within Life Support Systems without the specific written consent of SPT. A Life Support System is a product or system intended to support or sustain life which, if it fails, can be reasonably expected to result in significant personal injury or death.

Signal Processing Technologies believes that ultrasonic cleaning of its products may damage the wire bonding, leading to device failure. It is therefore not recommended, and exposure of a device to such a process will void the product warranty.