

## PNP MEDIUM POWER TRANSISTOR

### General features

- SURFACE-MOUNTING DEVICES IN MEDIUM POWER SOT-223 AND SOT-89 PACKAGES
- AVAILABLE IN TAPE & REEL PACKING

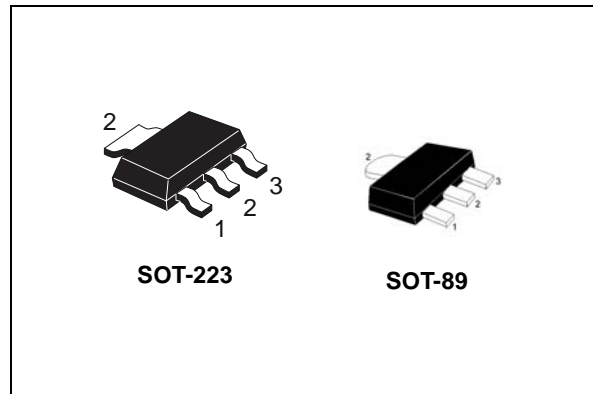
### Description

The STF817A - STN817A are PNP transistor manufactured using Planar Technology resulting in rugged high performance devices.

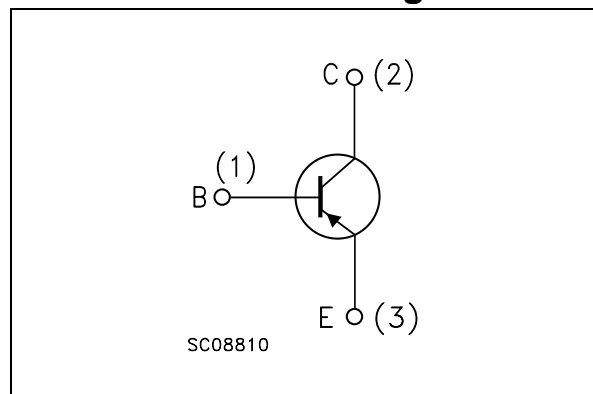
### Applications

- VOLTAGE REGULATION
- RELAY DRIVER
- GENERIC SWITCH

### Order codes



### Internal schematic diagram



Sales Type	Marking	Package	Packaging
STF817A	817A	SOT-89	TAPE & REEL
STN817A	N817A	SOT-223	TAPE & REEL

# 1 Electrical ratings

**Table 1. Absolute maximum ratings**

Symbol	Parameter	Value		Unit
		SOT-223	SOT-89	
$V_{CBO}$	Collector-Base Voltage ( $I_E=0$ )	-80		V
$V_{CEO}$	Collector-Emitter Voltage ( $I_E=0$ )	-80		V
$V_{EBO}$	Emitter-Base Voltage ( $I_C=0$ )	-5		V
$I_C$	Collector Current	-1.5		A
$I_{CM}$	Collector Peak Current ( $t_p<5ms$ )	-2		A
$I_B$	Base Current	-0.3		A
$I_{BM}$	Base Peak Current ( $t_p<5ms$ )	-0.6		A
$P_{TOT}$	Total Dissipation at $T_{amb} = 25^\circ C$	1.6	1.4	W
$T_j$ $T_{stg}$	Operating Junction Temperature Storage Temperature	-65 to 150		$^\circ C$

**Table 2. Thermal data**

		SOT-223	SOT-89	Unit
$R_{thj-amb}$ <i>Note 1</i>	Thermal Resistance Junction-amb Max	78	89	$^\circ C/W$

## 2 Electrical characteristics

( $T_{CASE} = 25\text{ °C}$  unless otherwise specified)

**Table 3. On/off states**

Symbol	Parameter	Test Conditions	Min.	Typ.	Max.	Unit
$I_{ECS}$	Collector Cut-off Current ( $V_{BE}=0$ )	$V_{CE} = -80\text{ V}$			-500	$\mu\text{A}$
$I_{CEO}$	Collector Cut-off Current ( $I_B=0$ )	$V_{CE} = -80\text{ V}$			-1	mA
$I_{EBO}$	Emitter Cut-off Current ( $I_C = 0$ )	$V_{EB} = -5\text{V}$			-100	$\mu\text{A}$
$V_{CEO(sus)}$ <i>Note 2</i>	Collector-Emitter Sustaining Voltage ( $I_B = 0$ )	$I_C=-10\text{mA}$	-80			V
$V_{CE(sat)}$ <i>Note 2</i>	Collector-Emitter Saturation Voltage	$I_C= -100\text{ mA}, I_B= -10\text{m A}$ $I_C= -1\text{ A}, I_B= -100\text{m A}$			-0.25 -0.5	V V
$V_{BE(sat)}$ <i>Note 2</i>	Base-Emitter Saturation Voltage	$I_C= -100\text{ mA}, I_B= -10\text{m A}$ $I_C= -1\text{ A}, I_B= -100\text{m A}$			-1 -1.1	V V
$h_{FE}$ <i>Note 2</i>	DC Current Gain	$I_C= -100\text{ mA}, V_{CE} = -2\text{V}$ $I_C= -500\text{ mA}, V_{CE} = -2\text{V}$ $I_C= -1\text{A}, V_{CE} = -2\text{V}$	140 80 30			
$f_T$	Transition Frequency	$I_C= -0.1\text{A}, V_{CE} = -10\text{V}$		50		MHz

(1) Device mounted on a PCB area of  $1\text{ cm}^2$

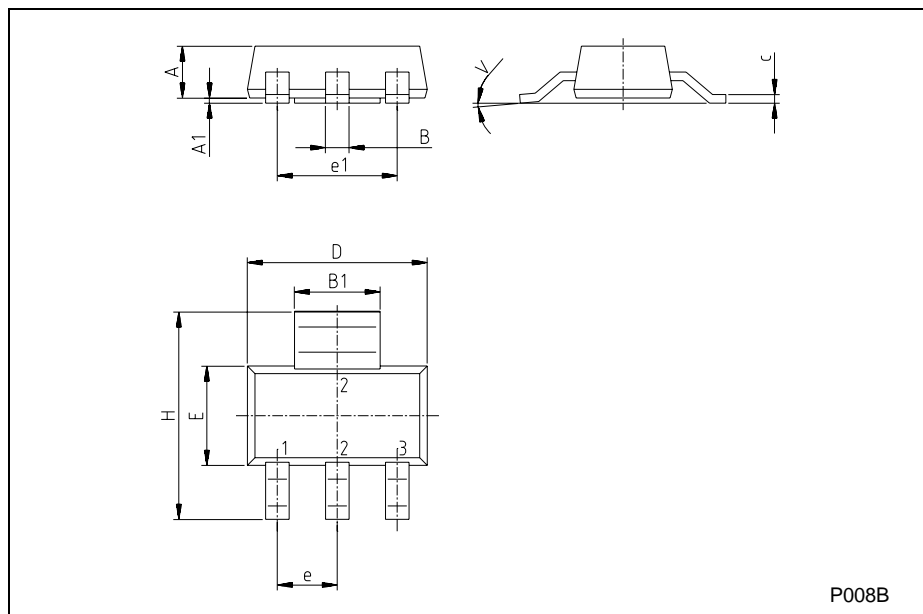
(2) Pulsed: Pulse duration =  $300\mu\text{s}$ , duty cycle 1.5%

### 3 Package mechanical data

In order to meet environmental requirements, ST offers these devices in ECOPACK® packages. These packages have a Lead-free second level interconnect . The category of second level interconnect is marked on the package and on the inner box label, in compliance with JEDEC Standard JESD97. The maximum ratings related to soldering conditions are also marked on the inner box label. ECOPACK is an ST trademark. ECOPACK specifications are available at: [www.st.com](http://www.st.com)

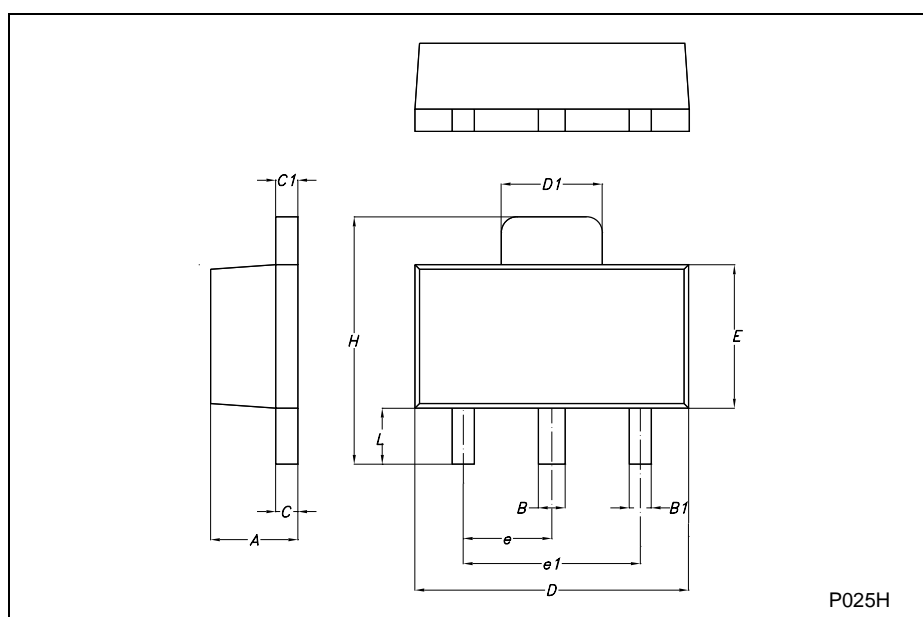
## SOT-223 MECHANICAL DATA

DIM.	mm			inch		
	MIN.	TYP.	MAX.	MIN.	TYP.	MAX.
A			1.80			0.071
B	0.60	0.70	0.80	0.024	0.027	0.031
B1	2.90	3.00	3.10	0.114	0.118	0.122
c	0.24	0.26	0.32	0.009	0.010	0.013
D	6.30	6.50	6.70	0.248	0.256	0.264
e		2.30			0.090	
e1		4.60			0.181	
E	3.30	3.50	3.70	0.130	0.138	0.146
H	6.70	7.00	7.30	0.264	0.276	0.287
V			10°			10°
A1		0.02				



## SOT-89 MECHANICAL DATA

DIM.	mm			mils		
	MIN.	TYP.	MAX.	MIN.	TYP.	MAX.
A	1.4		1.6	55.1		63.0
B	0.44		0.56	17.3		22.0
B1	0.36		0.48	14.2		18.9
C	0.35		0.44	13.8		17.3
C1	0.35		0.44	13.8		17.3
D	4.4		4.6	173.2		181.1
D1	1.62		1.83	63.8		72.0
E	2.29		2.6	90.2		102.4
e	1.42		1.57	55.9		61.8
e1	2.92		3.07	115.0		120.9
H	3.94		4.25	155.1		167.3
L	0.89		1.2	35.0		47.2



## 4 Revision History

Date	Revision	Changes
03-Nov-2005	1	First release

Information furnished is believed to be accurate and reliable. However, STMicroelectronics assumes no responsibility for the consequences of use of such information nor for any infringement of patents or other rights of third parties which may result from its use. No license is granted by implication or otherwise under any patent or patent rights of STMicroelectronics. Specifications mentioned in this publication are subject to change without notice. This publication supersedes and replaces all information previously supplied. STMicroelectronics products are not authorized for use as critical components in life support devices or systems without express written approval of STMicroelectronics.

The ST logo is a registered trademark of STMicroelectronics.  
All other names are the property of their respective owners

© 2005 STMicroelectronics - All rights reserved

STMicroelectronics group of companies

Australia - Belgium - Brazil - Canada - China - Czech Republic - Finland - France - Germany - Hong Kong - India - Israel - Italy - Japan -  
Malaysia - Malta - Morocco - Singapore - Spain - Sweden - Switzerland - United Kingdom - United States of America

[www.st.com](http://www.st.com)



