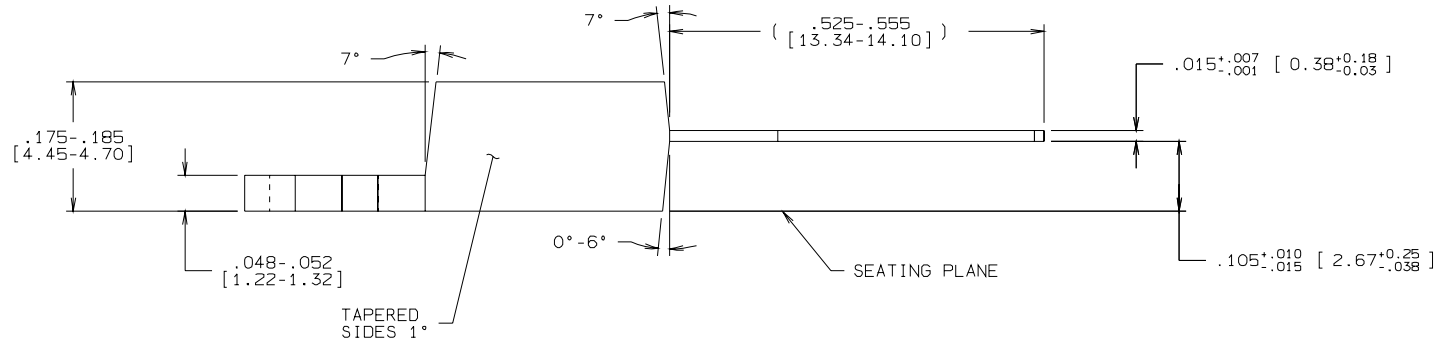
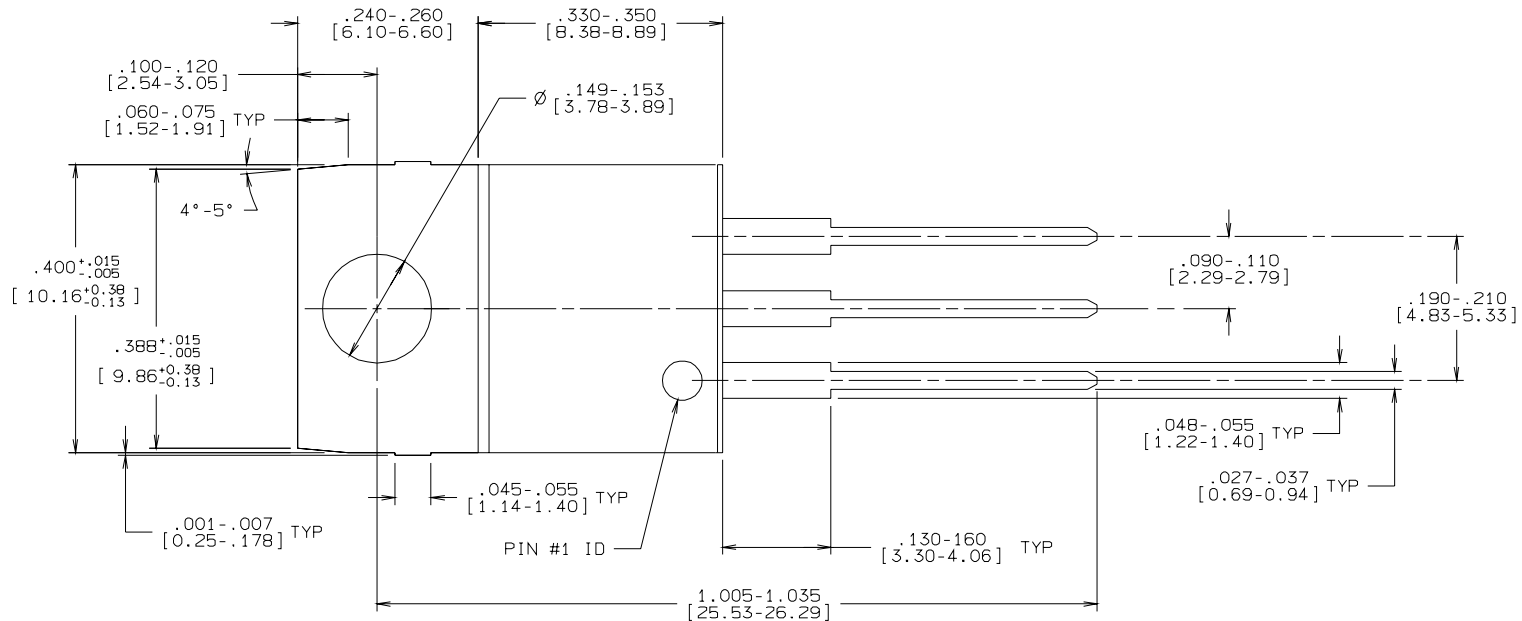


REVISIONS				
LTR	DESCRIPTION	E.C.N.	DATE	BY/APP'D
L	REVISE AND REDRAW.	09484	01/19/93	DEG/



- NOTES: UNLESS OTHERWISE SPECIFIED
- STANDARD LEAD FINISH:
200 MICROINCHES / 5.08 MICROMETERS MINIMUM
LEAD/TIN 15/85 ON OLIN 194 COPPER OR EQUIVALENT.
 - DIMENSIONS BASED ON JEDEC STANDARD TO-220,
VARIATION AB, ISSUE J, DATED 3/24/87.
 - REFERENCE DIMENSIONS ARE IN PARENTHESES.

CONTROLLING DIMENSION: INCH

APPROVALS	DATE	NATIONAL SEMICONDUCTOR CORPORATION			
DRAWN D. E. GRADY	01/19/93	2900 Semiconductor Drive, Santa Clara, CA 95052-8090			
DFTG. CHK.		TO-220, MOLDED, 3 LEAD, AUTO L/F			
ENGR. CHK.					
APPROVAL					
PROJECTION		SCALE	SIZE	DRAWING NUMBER	REV
 INCH [MM]		N/A	C	MKT-TA03F	A
		DO NOT SCALE DRAWING		SHEET 1 OF 1	