

## Description

The HIP408x family of driver ICs includes the HIP4080A, HIP4081A, HIP4082, HIP4083 and HIP4086. The inputs to all of these devices have internal 100 $\mu$ A (typical) pull-ups to  $V_{DD}$  except for HEN (HIP4080A), which has an internal 200 $\mu$ A (typical) pull-up to  $V_{DD}$ . If left open, the voltage on these inputs may not be sufficiently large to guarantee a logic high (2.5V@25°C and 2.7V over temperature). If a logic high is desired, we recommend connecting the inputs to  $V_{DD}$  through a resistance no larger than 25k. The inputs may also be connected directly to  $V_{DD}$ .

The affected inputs by part type are as follows:

HIP4080A: HEN, DIS

HIP4081A: ALI, BLI, AHI, BHI, DIS

HIP4082: ALI, BLI, AHI, BHI, DIS

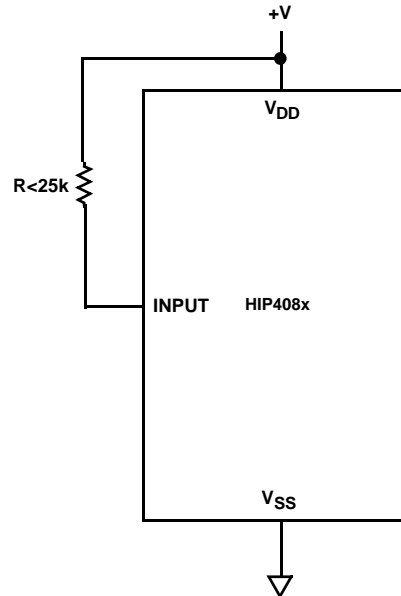
HIP4083:  $\overline{AHI}$ ,  $\overline{BHI}$ ,  $\overline{CHI}$ , DIS

HIP4086: ALI, BLI, CLI,  $\overline{AHI}$ ,  $\overline{BHI}$ ,  $\overline{CHI}$ , DIS

For application assistance on these or any other Intersil power management ICs, please feel free to contact us at the web address shown below.

[www.intersil.com/tsc](http://www.intersil.com/tsc)

## Schematic



All Intersil U.S. products are manufactured, assembled and tested utilizing ISO9000 quality systems. Intersil Corporation's quality certifications can be viewed at [www.intersil.com/design/quality](http://www.intersil.com/design/quality)

*Intersil products are sold by description only. Intersil Corporation reserves the right to make changes in circuit design, software and/or specifications at any time without notice. Accordingly, the reader is cautioned to verify that data sheets are current before placing orders. Information furnished by Intersil is believed to be accurate and reliable. However, no responsibility is assumed by Intersil or its subsidiaries for its use; nor for any infringements of patents or other rights of third parties which may result from its use. No license is granted by implication or otherwise under any patent or patent rights of Intersil or its subsidiaries.*

For information regarding Intersil Corporation and its products, see [www.intersil.com](http://www.intersil.com)