

**Measurement condition**

Ambient temperature: 23 °C  
 Input power level: 0 dBm  
 Terminating impedances\*:  
   input: 95 Ω // -0.3 pF  
   output: 95 Ω // -0.3 pF

**Characteristics****Remark:**

Reference level for the relative attenuation  $a_{rel}$  of the TFS 1220 is the minimum of the pass band attenuation  $a_{min}$ . The minimum of the pass band attenuation  $a_{min}$  is defined as the insertion loss  $a_e$ . The centre frequency  $f_c$  is the arithmetic mean value of the upper and lower frequencies at the 3 dB filter attenuation level relative to the insertion loss  $a_e$ . The nominal frequency  $f_N$  is fixed at 1220,0 MHz without tolerance. The given values for the relative attenuation  $a_{rel}$  have to be reached at the frequencies given below even if the centre frequency  $f_c$  is shifted due to the temperature coefficient of frequency  $TC_f$  in the operating temperature range and due to a production tolerance for the centre frequency  $f_c$ .

<b>Data</b>		<b>typ. value</b>	<b>Variation/ Limitation</b>
<b>Insertion loss</b> (Reference level)	$a_e = a_{min}$	4,0 dB	max. 6,0 dB
<b>Nominal frequency</b>	$f_N$	-	1220 MHz
<b>Centre frequency</b>	$f_c$	1220 MHz	
<b>Passband ripple</b> (P-P) within $f_N \pm 100$ KHz		0,40 dB	max 1,0 dB
<b>Group delay ripple</b> within $f_N \pm 100$ KHz		43,0 ns	max. 100 ns
<b>Relative attenuation</b>	$a_{rel}$		
$f_N$ ..... $f_N \pm 0,1$ MHz		0,40 dB	max. 1 dB
$f_N \pm 4$ MHz ..... $f_N \pm 5$ MHz		25,0 dB	min. 10 dB
$f_N \pm 5$ MHz ..... $f_N \pm 6$ MHz		28,0 dB	min. 12 dB
$f_N \pm 6$ MHz ..... $f_N \pm 20$ MHz		37,0 dB	min. 14 dB
$f_N + 20$ MHz ..... $f_N + 180$ MHz		35,0 dB	min. 30 dB
$f_N - 20$ MHz ..... $f_N - 1150$ MHz		45,0 dB	min. 30 dB
<b>Temperature coefficient of frequency</b>	$TC_f$	-0,050 ppm/K <sup>2</sup>	
<b>Frequency inversion temperature</b>		40 °C.	
<b>Operating temperature range</b>			- 40 °C ... + 85 °C
<b>Storage temperature range</b>			- 45 °C ... + 90 °C
<b>Input power level</b>			max. 10 dBm

\*) The terminating impedances depend on parasitics and q-values of matching elements and the board used, and are to be understood as reference values only. Should there be additional questions do not hesitate to ask for an application note or contact our design team.

**generated** :

**checked / approved** :

**VI TELEFILTER**

**Potsdamer Straße 18**

**D 14 513 TELTOW / Germany**

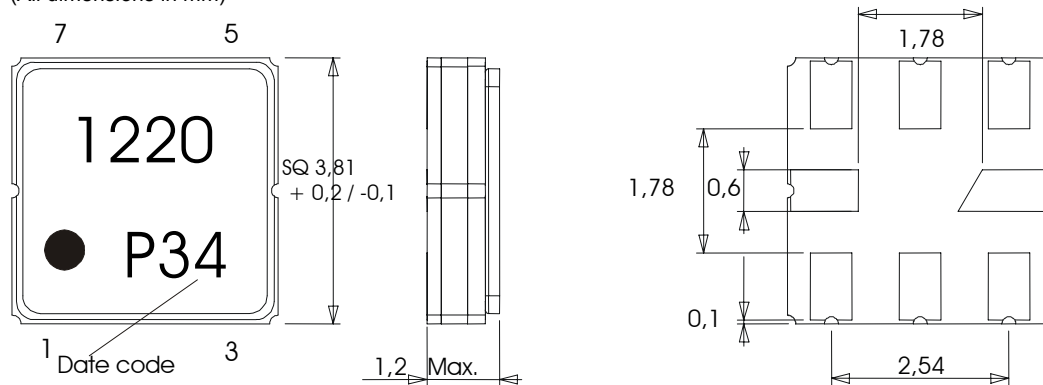
**Tel: (+49) 3328 4784-0 / Fax: (+49) 3328 4784-30**

**Mail: [tft@telefilter.com](mailto:tft@telefilter.com)**

VI TELEFILTER reserves the right to make changes to the product(s) and/or information contained herein without notice. No liability is assumed as a result of their use or application. No rights under any patent accompany the sale of any such product(s) or information.

### Construction, pin configuration and 50 Ω - matching network

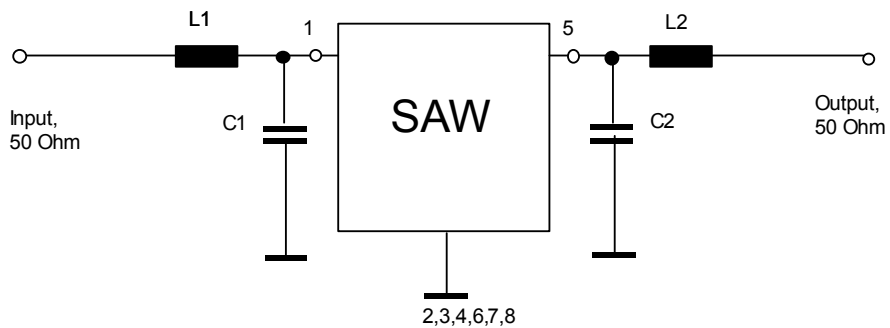
(All dimensions in mm)



Pin 1	Input	Pin 5	Output
Pin 2	Ground	Pin 6	Ground
Pin 3	Ground	Pin 7	Ground
Pin 4	Package Ground	Pin 8	Package ground

date code:	year + week
M	2000
N	2001
P	2002
...	

### 50 Ohm Test circuit



VI TELEFILTER  
 Potsdamer Straße 18  
 D 14 513 TELTOW / Germany  
 Tel: (+49) 3328 4784-0 / Fax: (+49) 3328 4784-30  
 E-Mail: [tft@telefilter.com](mailto:tft@telefilter.com)

VI TELEFILTER reserves the right to make changes to the product(s) and/or information contained herein without notice. No liability is assumed as a result of their use or application. No rights under any patent accompany the sale of any such product(s) or information

**Stability Characteristics**

After the following tests the filter shall meet the whole specification:

1. Shock: 500g, 18 ms, half sine wave, 3 shocks each plane;  
DIN IEC 68 T2 - 27
2. Vibration: 10 Hz to 500 Hz, 0,35 mm or 5g respectively, 1 octave per min, 10 cycles per plan, 3 plans;  
DIN IEC 68 T2 - 6
3. Change of temperature: -55 °C to 125°C / 30 min. each / 10 cycles  
DIN IEC 68 part 2 – 14 Test N
4. Resistance to solder heat (reflow): reflow possible: twice max.;  
for temperature conditions, please refer to the attached "Air reflow temperature conditions" on page 4;

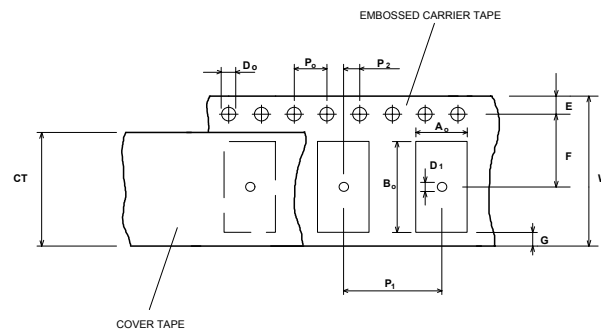
**Packing**

Tape & Reel: IEC 286 - 3, with exception of value for N and minimum bending radius;  
tape type II, embossed carrier tape with top cover tape on the upper side;

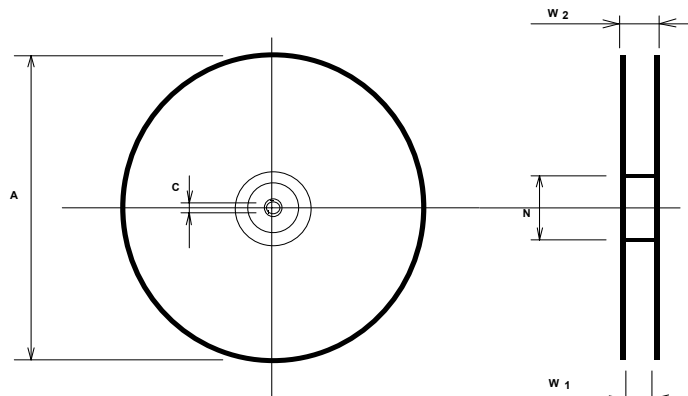
max. pieces of filters per reel: 3000  
reel of empty components at start: min 300 mm  
reel of empty components at start including leader: min 500 mm  
trailer: min 300 mm

**Tape (all dimensions in mm)**

W	: 12 ± 0,3
Po	: 4 ± 0,1
Do	: 1,5 + 0,1
E	: 1,75 ± 0,1
F	: 5,5 ± 0,05
G (min)	: 0,75
P2	: 2 ± 0,05
P1	: 8 ± 0,1
D1(min)	: 1,5
Ao	: 4,3 ± 0,1
Bo	: 4,3 ± 0,1
CT	: 9,5 ± 0,1

**Reel (all dimensions in mm):**

A	: 330
W1	: 12,4 + 2,0
W2 (max)	: 18,4
N (min)	: 50
C	: 13 -+0,5/ -0,2



The minimum bending radius is 45 mm. The mounting surface of the filters faces the bottom side of the embossed carrier tape. Markings on the filters can be read if the upper side of the carrier tape is regarded with the sprocket holes on its right.

**VI TELEFILTER**

Potsdamer Straße 18

D 14 513 TELTOW / Germany

Tel: (+49) 3328 4784-0 / Fax: (+49) 3328 4784-30

E-Mail: [tft@telefilter.com](mailto:tft@telefilter.com)

VI TELEFILTER reserves the right to make changes to the product(s) and/or information contained herein without notice. No liability is assumed as a result of their use or application. No rights under any patent accompany the sale of any such product(s) or information

### Air reflow temperature conditions

#### 1st and 2nd air reflow profile

Name:	pre-heating periods	main-heating periods	peak temperature
Temperature:	150 °C - 170 °C	over 200 °C	255 °C ± 5 °C
Time:	60 sec. - 90 sec.	20 sec. - 25 sec.	

#### Chip-mount air reflow profile

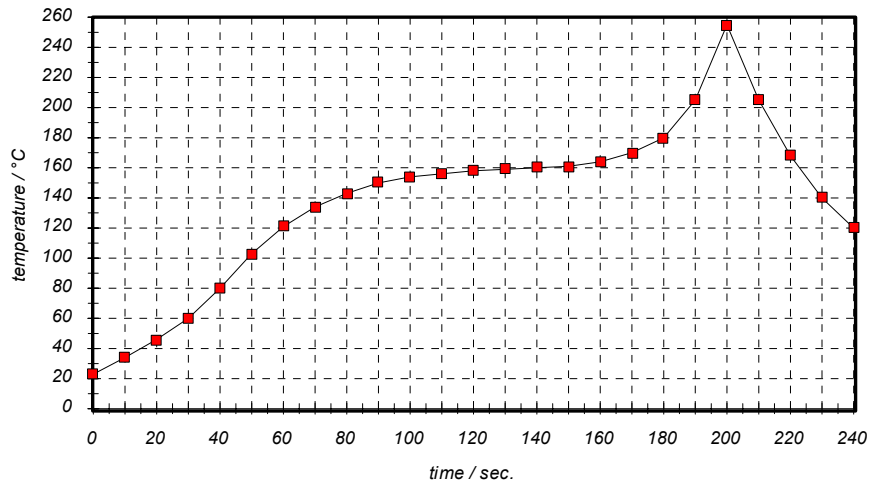


Table for temperature vs. time during the air reflow process

Tolerance of temperatures: ± 5 °C

time / sec.	temperature / °C	time / sec.	temperature / °C
0	23	140	160
10	34	150	161
20	46	160	164
30	60	170	170
40	80	180	180
50	103	190	205
60	121	195	230
70	134	200	255
80	143	205	230
90	150	210	205
100	154	215	180
110	156	220	165
120	158	230	140
130	159	240	120

#### VI TELEFILTER

Potsdamer Straße 18

D 14 513 TELTOW / Germany

Tel: (+49) 3328 4784-0 / Fax: (+49) 3328 4784-30

E-Mail: [tft@telefilter.com](mailto:tft@telefilter.com)

VI TELEFILTER reserves the right to make changes to the product(s) and/or information contained herein without notice. No liability is assumed as a result of their use or application. No rights under any patent accompany the sale of any such product(s) or information

**History**

<b>Version</b>	<b>Reason of Changes</b>	<b>Name</b>	<b>Date</b>
1.0	- Generation of development specification according to customer specification	Dr. Sabah	26.03.2002
1.1	- changing range of storage temperature - reducing maximum of insertion loss to 4 dB - changing relativ attenuation	Pfeiffer	05.04.2002
1.2	- change insertion loss and relative attenuation	Dr. Sabah	18.07.2002
1.3	- Preliminary Specification; add of typical values and terminating impedance	Dr. Sabah	19.08.2002
1.4	- Filter Specification; add of terminating impedance and frequency inversion temperature	Dr. Sabah	21.08.2002