

TIP551 4 Channels of Isolated 16 bit D/A Conversion

Application Information

The TIP551 is an IndustryPack® compatible module and offers 4 channels of isolated 16 bit analog outputs. Settling time to 0.003% is 10µs typical. The programmable output voltage range is +/-10V or 0-10V selectable by jumper. The DAC clears to 0V in both unipolar and bipolar output. The isolated DAC and the output buffer are powered by an on board DC/DC converter.

Each TIP551 is factory calibrated. The calibration information is stored in the Identification-PROM unique to each IP.

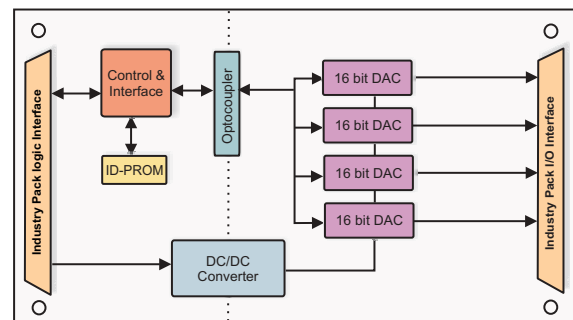


For First-Time-Buyers the engineering documentation TIP551-ED is recommended. The engineering documentation includes TIP551-DOC, schematics and data sheets.

Driver support (TIP551-SW-xx) for different operating systems is available.

Technical Information

- Interface according to IndustryPack specification
- Identification-PROM supports auto-configuration
- Single Size IndustryPack
- 4 channels of isolated 16 bit analog output
- Full-scale output range +/-10 V or 0-10V selectable by jumper
- Factory calibrated, calibration information in Identification-PROM unique to each IP
- Operating temperature -40°C to +85°C



Order Information

TIP551-10	4 Channels of Isolated 16 bit Analog Output
TIP551-DOC	User Documentation
TIP551-ED	Engineering Documentation, includes TIP551-DOC
TIP551-SW-12	OS-9 Software Support
TIP551-SW-32	pSOS Software Support
TIP551-SW-42	VxWorks Software Support
TIP551-SW-62	Windows NT 4.0 Software Support
TIP551-SW-72	LynxOS Software Support
TIP551-SW-82	LiNux Software Support
TIP551-SW-92	QNX 4 Software Support
TIP551-SW-95	QNX 6 Software Support