

GREEN**TOSHIBA T-1³/₄ InGaAlP Ultra Bright LED**

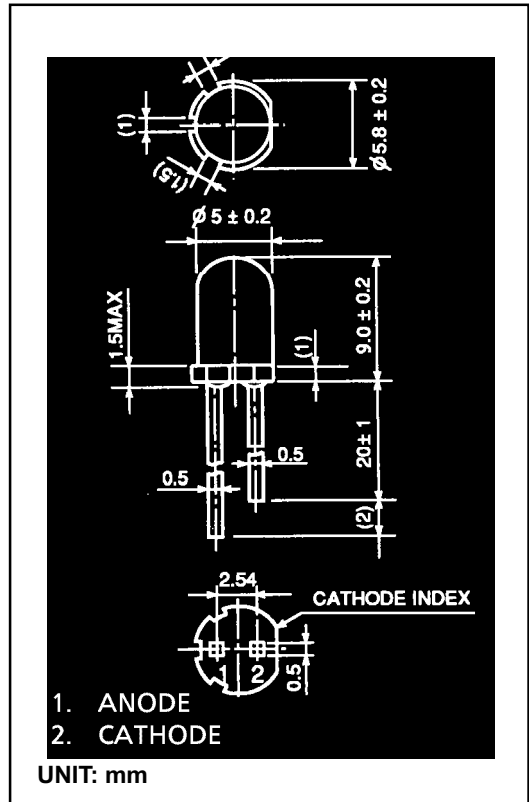
TLPGE158P

Product Features -

- InGaAlP Technology
- 5mm Diameter T-1³/₄ Package
- High Luminous Intensity
- Water Clear Lens
- Fast Response Time, Capable of Pulse Operation

MAXIMUM RATINGS (Ta = 25°C)

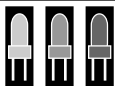
CHARACTERISTIC	SYMBOL	RATING	UNIT
Forward Current	I _F	50	mA
Reverse Voltage	V _R	4	V
Power Dissipation	P _D	140	mW
Operating Temperature	T _{opr}	-30 ~ 85	°C
Storage Temperature	T _{stg}	-40 ~ 120	°C



OPTO-ELECTRICAL CHARACTERISTICS (Ta = 25°C)

CHARACTERISTIC	SYMBOL	TEST CONDITION	MIN.	TYP.	MAX.	UNIT
Forward Voltage	V _F	IF = 20mA	—	2.27	2.8	V
Reverse Current	I _R	VR = 4V	—	—	50	μA
Luminous Intensity	I _v	IF = 20mA	85	200	—	mcd
Viewing Angle	2θ _{1/2}	—	—	28	—	°
Peak Wavelength	λ _p	IF = 20mA	—	562	—	nm
Dominant Wavelength	λ _d	IF = 20mA	—	558	—	nm
Spectral Line Half Width	Δλ	IF = 20mA	—	11	—	nm

* Luminous Ranks: (N : 100-200mcd), (P : 180-360mcd), (Q : 320-640mcd) Upper and lower limit tolerance ±15%
Available in One Bin Combination: (NP)



marktech
optoelectronics

120 Broadway • Menands, New York 12204

Toll Free: (800) 98-4LEDS • Fax: (518) 432-7454

For up-to-date product info visit our web site at www.marktechopto.com

All specifications subject to change.

TLPGE158P Graphs -

