

RED**TOSHIBA T-1 $\frac{3}{4}$ InGaAlP Ultra Bright LED**

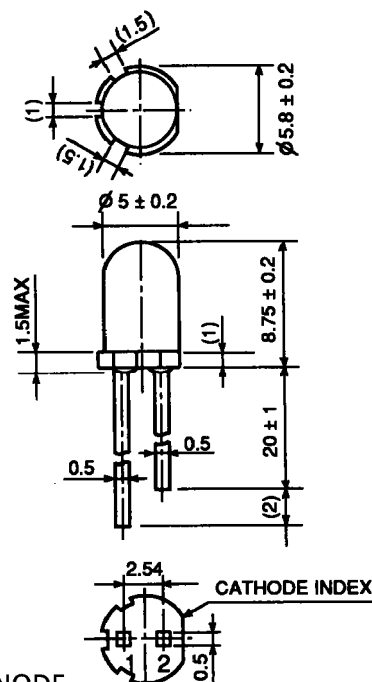
TLRE156AP

Product Features -

- InGaAlP Technology
- T-1 $\frac{3}{4}$ (5mm) Package
- High Intensity Red Light ($\lambda_p = 644$ nm) Emission
- Water Clear Lens

MAXIMUM RATINGS (Ta = 25°C)

CHARACTERISTIC	SYMBOL	RATING	UNIT
Forward Current	I_F	50	mA
Reverse Voltage	V_R	4	V
Power Dissipation	P_D	125	mW
Operating Temperature	T_{opr}	-30 ~ 85	°C
Storage Temperature	T_{stg}	-40 ~ 120	°C



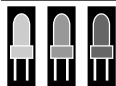
1. ANODE
2. CATHODE

UNIT: mm

OPTO-ELECTRICAL CHARACTERISTICS (Ta = 25°C)

CHARACTERISTIC	SYMBOL	TEST CONDITION	MIN.	TYP.	MAX.	UNIT
Forward Voltage	V_F	$I_F = 20$ mA	—	1.85	2.4	V
Reverse Current	I_R	$V_R = 4$ V	—	—	50	μ A
Luminous Intensity	I_v	$I_F = 20$ mA	150	400	—	mcd
Viewing Angle	$2\theta_{1/2}$	—	—	28	—	°
Peak Wavelength	λ_p	$I_F = 20$ mA	—	644	—	nm
Dominant Wavelength	λ_d	$I_F = 20$ mA	—	630	—	nm
Spectral Line Half Width	$\Delta\lambda$	$I_F = 20$ mA	—	18	—	nm

* Luminous Ranks: (P : 180-360mcd), (Q : 320-640mcd), (R : 560-1120mcd) Upper and lower limit tolerance $\pm 15\%$
Available in Two Bin Combinations: (PQ), (QR)



marktech
optoelectronics

120 Broadway • Menands, New York 12204

Toll Free: (800) 98-4LEDS • Fax: (518) 432-7454

TLRE156AP Graphs -

