

**RED****TOSHIBA T-1¾ InGaAlP Ultra Bright LED**

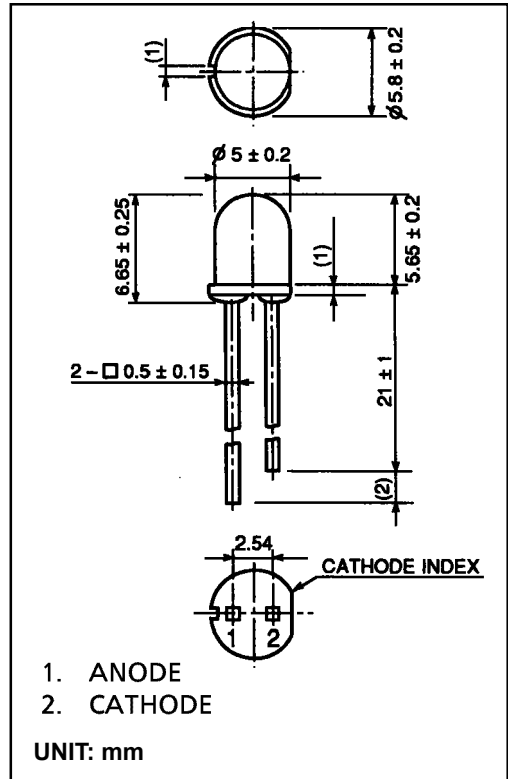
# TLRE263AP

## Product Features -

- InGaAlP Technology
- T-1¾ Low Profile Package
- High Intensity Red Light ( $\lambda_p = 644\text{nm}$ ) Emission
- Water Clear Lens

### MAXIMUM RATINGS ( $T_a = 25^\circ\text{C}$ )

CHARACTERISTIC	SYMBOL	RATING	UNIT
Forward Current	$I_F$	50	mA
Reverse Voltage	$V_R$	4	V
Power Dissipation	$P_D$	125	mW
Operating Temperature	$T_{opr}$	-30 ~ 85	$^\circ\text{C}$
Storage Temperature	$T_{stg}$	-40 ~ 120	$^\circ\text{C}$



### OPTO-ELECTRICAL CHARACTERISTICS ( $T_a = 25^\circ\text{C}$ )

CHARACTERISTIC	SYMBOL	TEST CONDITION	MIN.	TYP.	MAX.	UNIT
Forward Voltage	$V_F$	$I_F = 20\text{mA}$	—	1.85	2.4	V
Reverse Current	$I_R$	$V_R = 4\text{V}$	—	—	50	$\mu\text{A}$
Luminous Intensity	$I_v$	$I_F = 20\text{mA}$	25	110	—	mcd
Viewing Angle	$2\theta_{1/2}$	—	—	100	—	$^\circ$
Peak Wavelength	$\lambda_p$	$I_F = 20\text{mA}$	—	644	—	nm
Dominant Wavelength	$\lambda_d$	$I_F = 20\text{mA}$	—	630	—	nm
Spectral Line Half Width	$\Delta\lambda$	$I_F = 20\text{mA}$	—	18	—	nm

\* Luminous Ranks: (L : 32-64mcd), (M : 56-112mcd), (N : 100-200mcd) Upper and lower limit tolerance  $\pm 15\%$   
Available in One Bin Combination: (LM)



120 Broadway • Menands, New York 12204

Toll Free: (800) 98-4LEDS • Fax: (518) 432-7454

## TLRE263AP Graphs -

