

DATA SHEET

UM MODEL NO.:	SPECIFICATIONS	REV.	
UT12005	10/100BASE-T SINGLE PORT SURFACE MOUNT MAGNETICS	A2	03/15

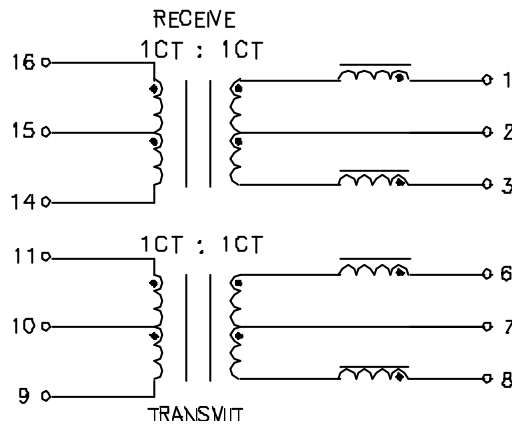
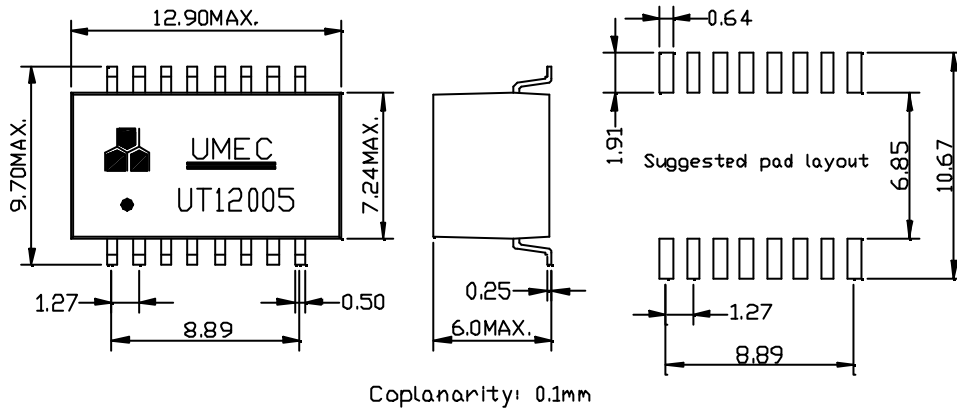
Features:

1. Meets IEEE 802.3 and ANSI X.3.263 standards including 350uH OCL with 8mA bias
2. Designed for reflow soldering at temperature 230±5°C
3. Compact footprint for use in the most space restrictive applications
4. Turns Ratio tolerance: ±5%
5. Operating temperature: -40°C to +85°C

Electrical Specification @25°C:

1. OCL: 350uH min. 100KHz ,0.1Vrms,8mA Pin(1-3), Pin(6-8)
2. Turns Ratio tolerance:±3%, Pin(1-3):(16-14), Pin(6-8):(11-9)
3. Pri. DCR: 0.9Ω max. Pin(9-11), Pin(14-16)
4. LL: 0.4uH max. Pin(1-3), Pin(6-8) 1MHz , 1Vrms
5. Cw/w: 35pF max. Pri. to Sec. 1MHz, 1Vrms
6. Insertion Loss: -1.1dB Max. @ 0.10--100MHz
7. Return Loss: -18dB Min. @ 0.5--30MHz
 -15.5dB Min. @ 40MHz
 -13.6dB Min. @ 50MHz
 -12dB Min. @ 60--80MHz
8. Com. to Com. Mode Rejection: -40dB typ. @ 0.10--100MHz
9. Crosstalk: -40dB min. @ 0.10--100MHz
10. HI-POT: 1500Vrms/2sec. Leakage Current 0.5mA Max./input to output

Dimensions & Schematic:



- NOTE: 1. Packaging information-tape and reel according to item no. "SO16A" of data sheet 01-00
 2. Specifications are subject to change without prior notice.

UNIT: mm

Tolerances±0.25mm

E10-007-C



UNIVERSAL MICROELECTRONICS CO.,LTD.
 TEL:886-4-23590096 FAX:886-4-23590129
 http://www.umec-web.com Email:business@umec.com.tw

3,27TH RD.,TAICHUNG INDUSTRIAL PARK,
 TAICHUNG,TAIWAN,R.O.C