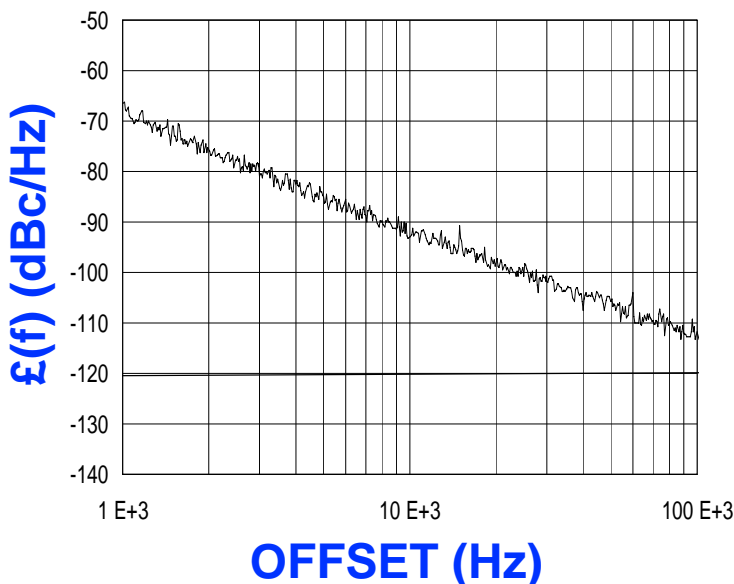


PHASE NOISE (1 Hz BW, typical)



FEATURES

- Frequency Range: 1100 - 1200 MHz
- Tuning Voltage: 4.75-7.5 Vdc
- MINI-16-L - Style Package

APPLICATIONS

- Satellite Communications
- Test Instrumentation
- Earthstations

PERFORMANCE SPECIFICATIONS

	VALUE	UNITS
Oscillation Frequency Range	1100 - 1200	MHz
Phase Noise @ 10 kHz offset (1 Hz BW, typ.)	-92	dBc/Hz
Harmonic Suppression (2nd, typ.)	-8	dBc
Tuning Voltage	4.75-7.5	Vdc
Tuning Sensitivity (avg.)	72	MHz/V
Power Output	13.5±2.5	dBm
Load Impedance	50	Ω
Input Capacitance (max.)	500	pF
Pushing	<1	MHz/V
Pulling (14 dB Return Loss, Any Phase)	<1	MHz
Operating Temperature Range	-40 to 85	$^{\circ}$ C
Package Style	MINI-16-L	

POWER SUPPLY REQUIREMENTS

Supply Voltage (Vcc, nom.)	5	Vdc
Supply Current (Icc, typ.)	62	mA

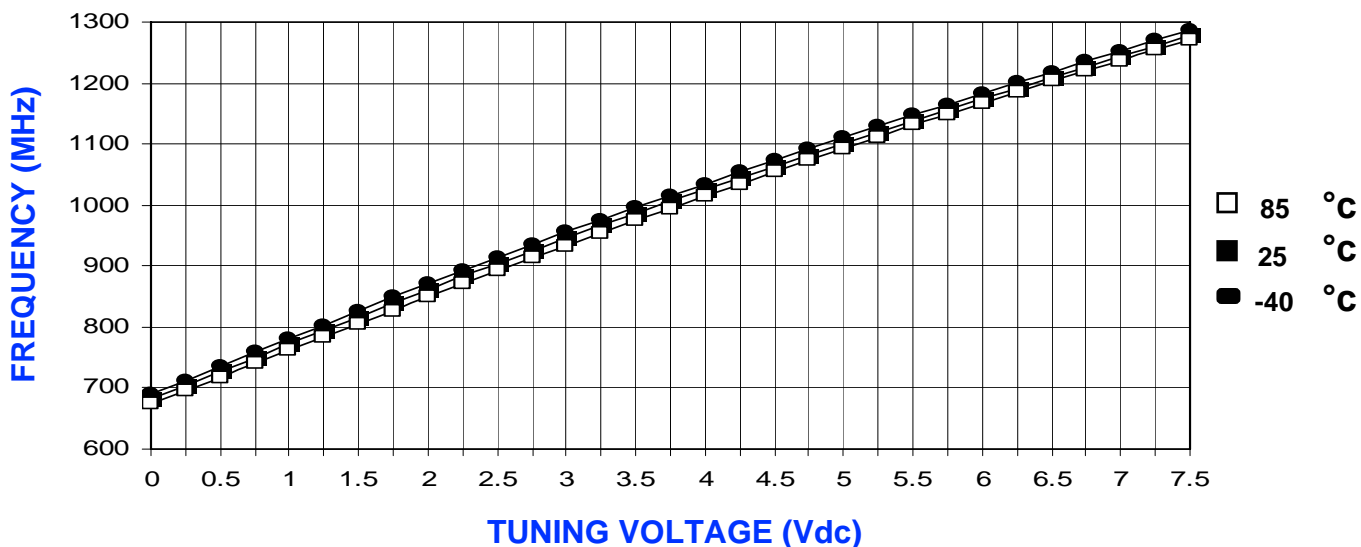
All specifications are typical unless otherwise noted and subject to change without notice.

APPLICATION NOTES

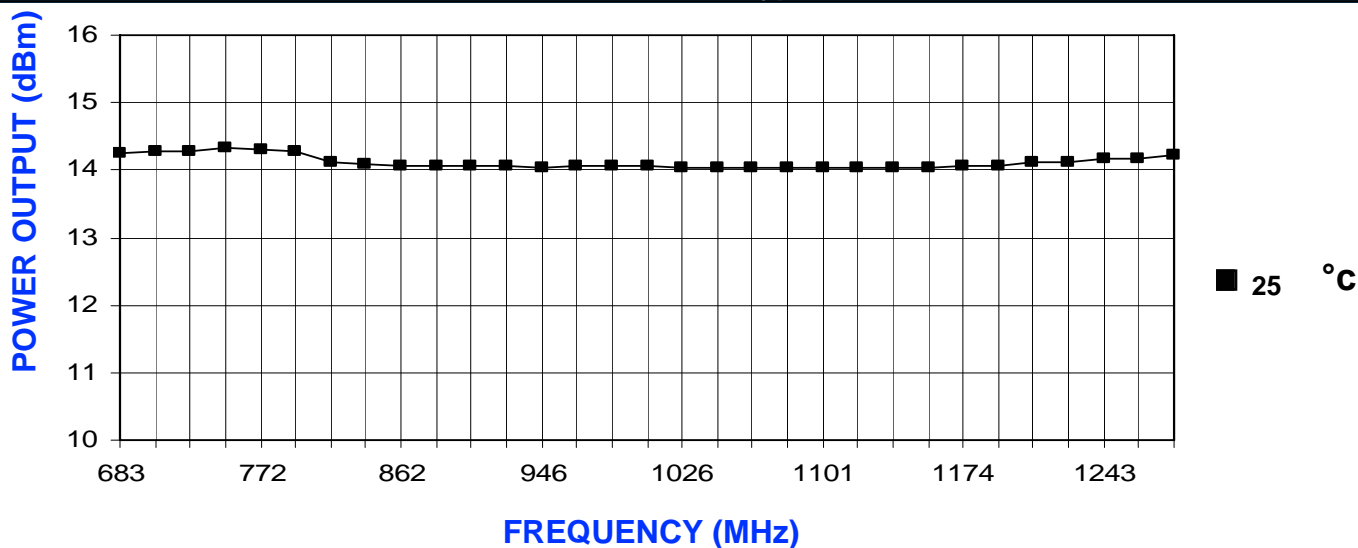
- AN-100/1 : Mounting and Grounding of VCOs
- AN-102 : Proper Output Loading of VCOs
- AN-107 : How to Solder Z-COMM VCOs

NOTES:

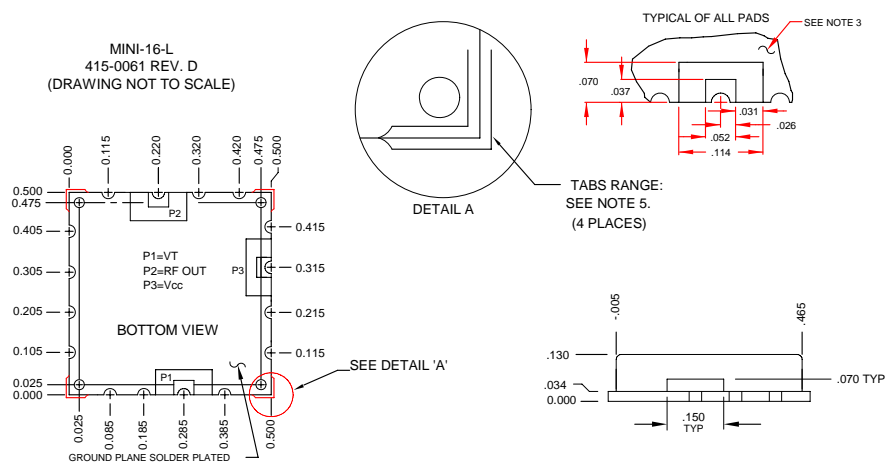
TUNING CURVE, typ.



POWER CURVE, typ.



PHYSICAL DIMENSIONS



- NOTES:**
1. THE INSIDE RADIUS OF ALL 16 HALF HOLES AT THE PERIMETER OF THE BOARD ARE PLATED TO PROVIDE A SURFACE FOR THE ATTACHMENT OF THE VCO TO A PCB. IN 13 LOCATIONS, WITH 3 PADS BEING USED FOR ELECTROMECHANICAL INTERFACE. 16 SOLDER LOCATIONS REQUIRED.
 2. THE SURFACE OF THE SHIELD IS TIN PLATED AND MAY BE SOLDERED TO. THE SHIELD'S BASE METAL IS COLD ROLLED STEEL.
 3. THE GROUND PLANE IS GROUND AND ATTACHES TO A GROUND TRACK ON THE UPPER SIDE OF THE BOARD AS WELL AS THE SHIELD BY PTH.
 4. UNLESS OTHERWISE NOTED ALL DIMENSIONS ARE IN INCHES.
 5. UNLESS OTHERWISE NOTED ALL TOLERANCES ARE AS FOLLOWS:
TOLERANCES
.XXX± .010